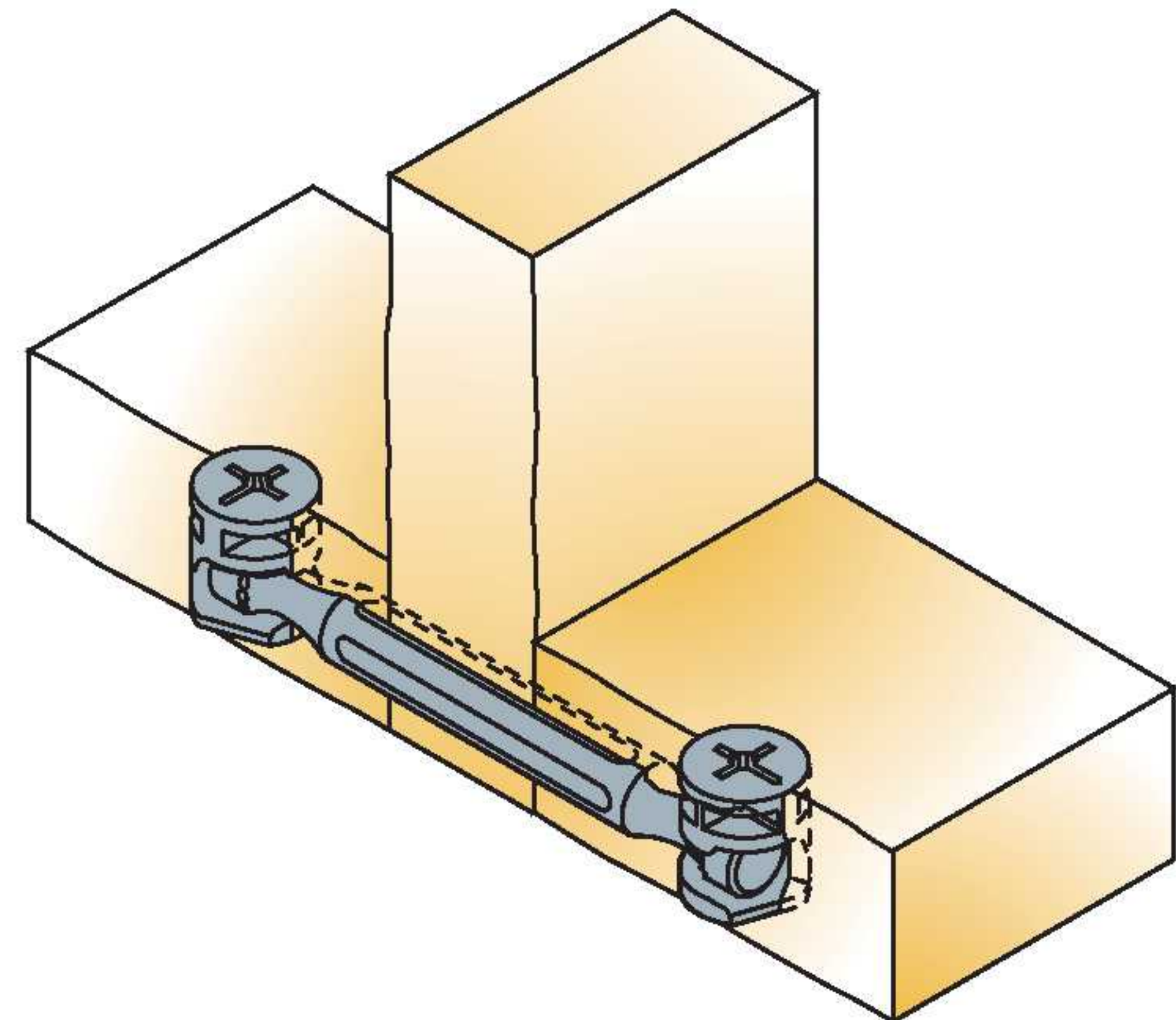
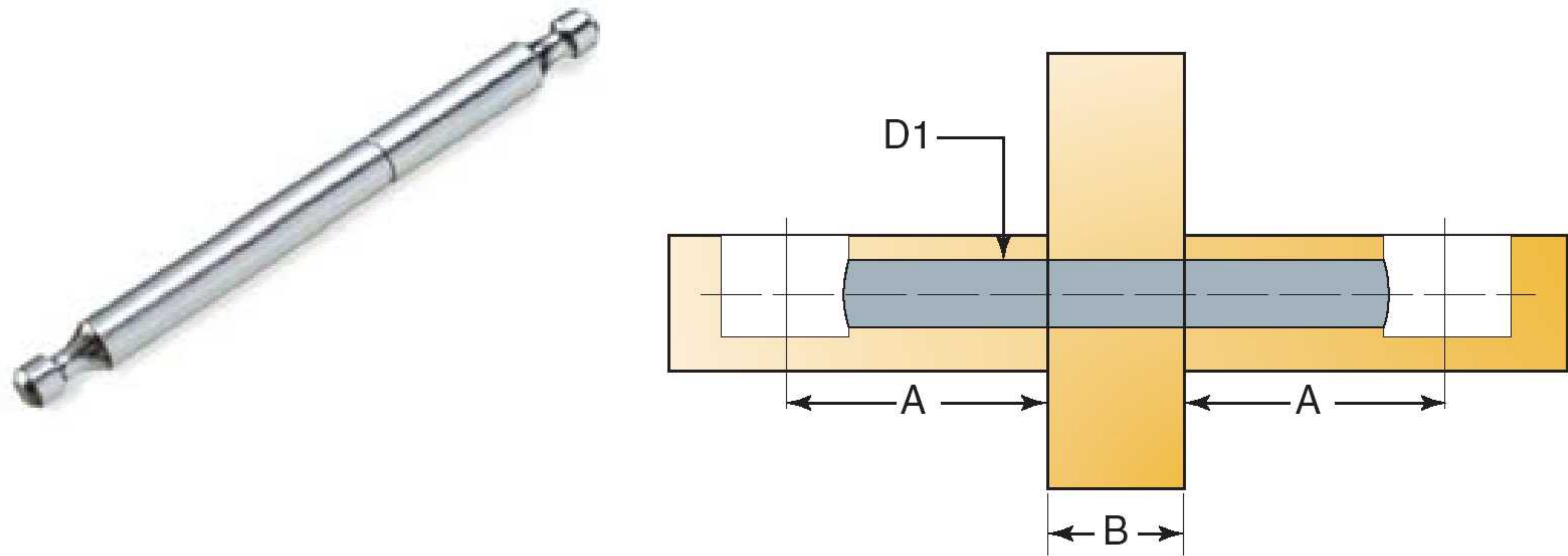


System 5

Cams and dowels

Double-ended dowel

- Available in Ø7mm
- Suitable for use with all Ø12mm and Ø15mm Cam2000 products
- No circlip for increased tolerance
- Available in a variety of lengths to suit most panel-to-panel applications

 <p>Technical and mounting details</p>	A	B	D1	Item number	Zinc plated
<p>Dowel without circlip</p>  <p>Made of steel or zinc</p>	34	16	7-8	05858 →	883
	24	16	7-8	05857 →	883
	24	19	7-8	05778 →	883