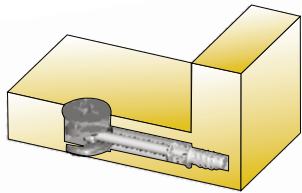


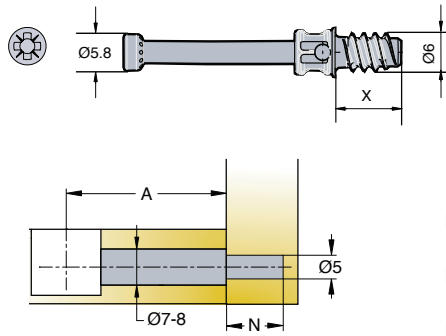
System 5 Cams and Dowels Combi Dowel

- High quality zinc-steel dowel with greater resistance to torsion and pull-out
- Suitable for use with all Ø12mm and Ø15mm Cam2000, Cam3000 S and Cam5000 products
- 'Klix' locking feature provides a strong, vibration proof joint
- Twinstart thread for faster and reliable insertion



Technical and mounting details

Combi dowel Ø5



PH2 head
PH2 head
PH2 head

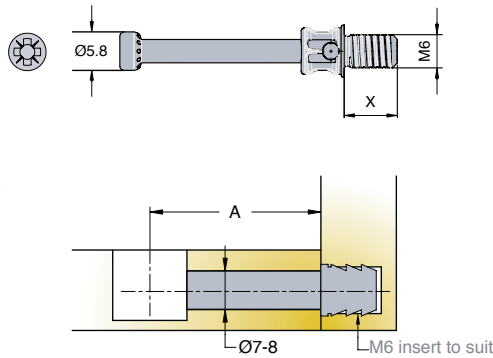
A	N	X	Item number	Zinc
Drilling distance	Drilling depth	Thread length		
34	12	11	09435 →	885
28	10	9.5	09588 →	885
24	12	11	09443 →	885
24	9	8.5	09583 →	885
34	12	11	*09424 →	885
24	12	11	*09423 →	885
34	9	8.5	*09456 →	885

**American market only*

1000 Pcs
*2000 Pcs

Made of steel and zinc

Combi dowel M6



34		8	09592 →	885
34		10.5	09594 →	885

1000 Pcs

Made of steel and zinc



Inserts
Made of zinc

→ see page 1.59



Inserts
Made of plastic

→ see page 1.59