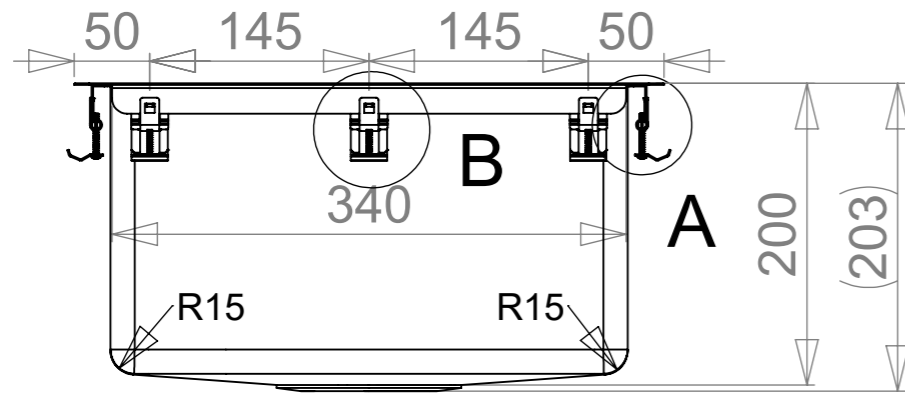


MAIN DIMENSIONS

Change description  
Additional holes

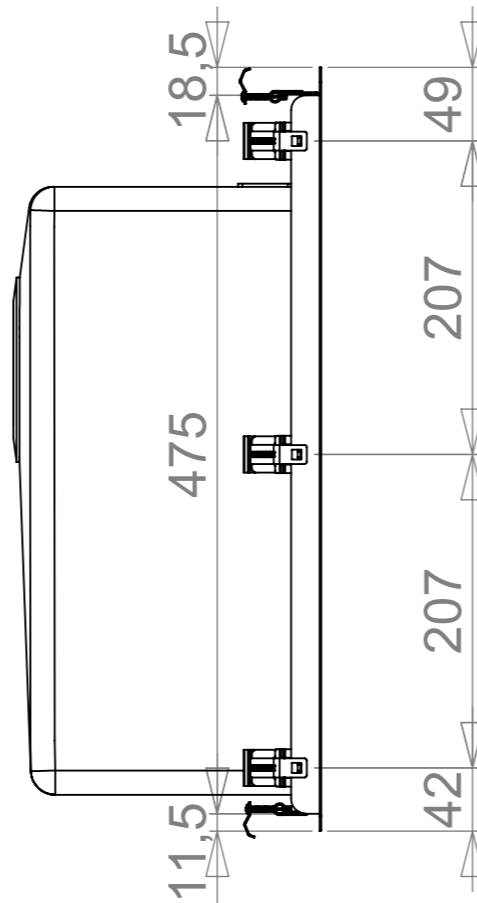
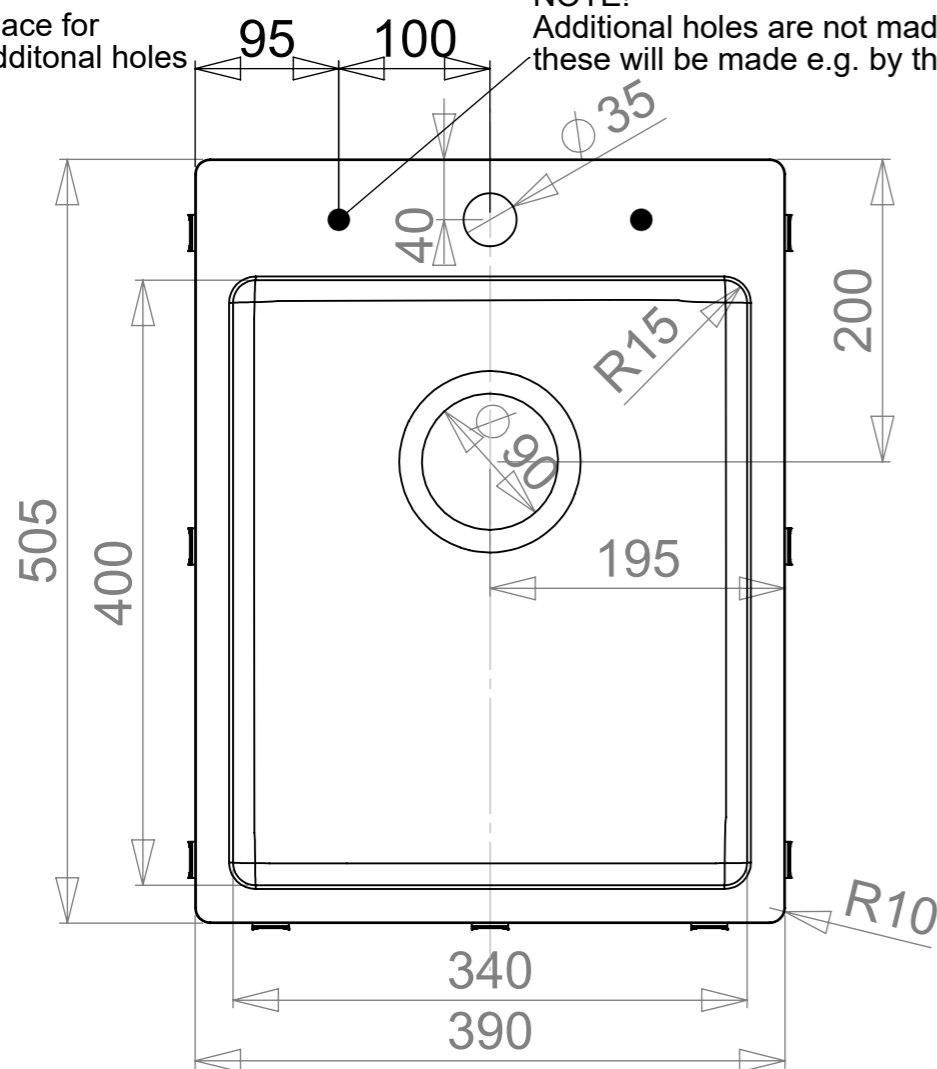
Date  
16.09.2019  
Designed by  
VS



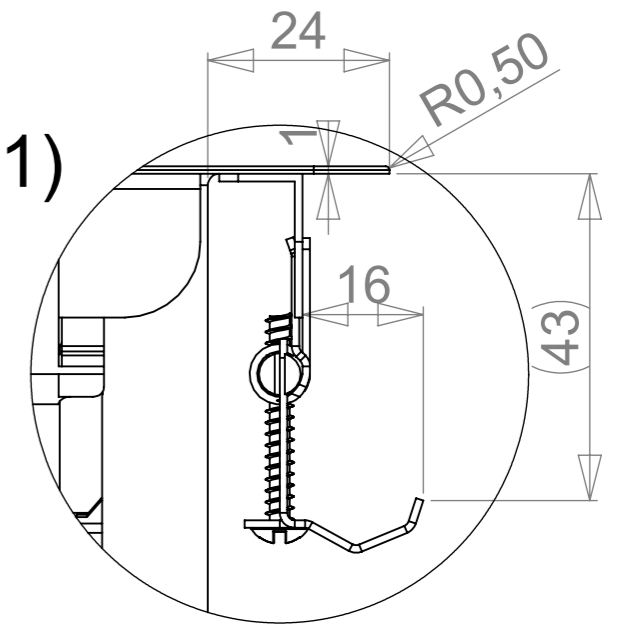
Place for additional holes in tap support. Maximum  $\varnothing 35\text{mm}$ .

Place for additional holes

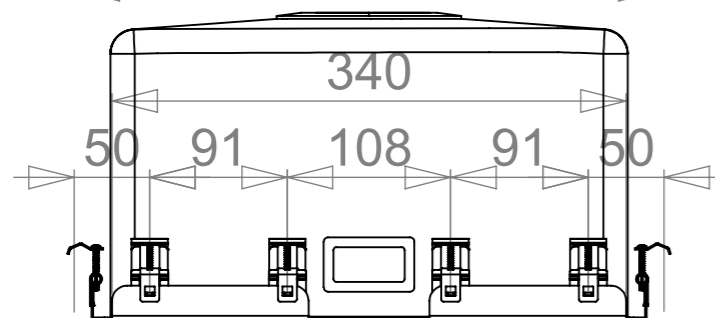
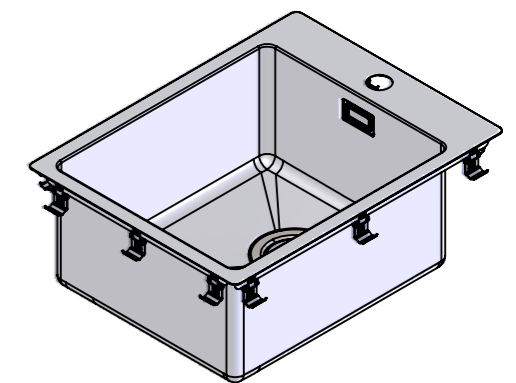
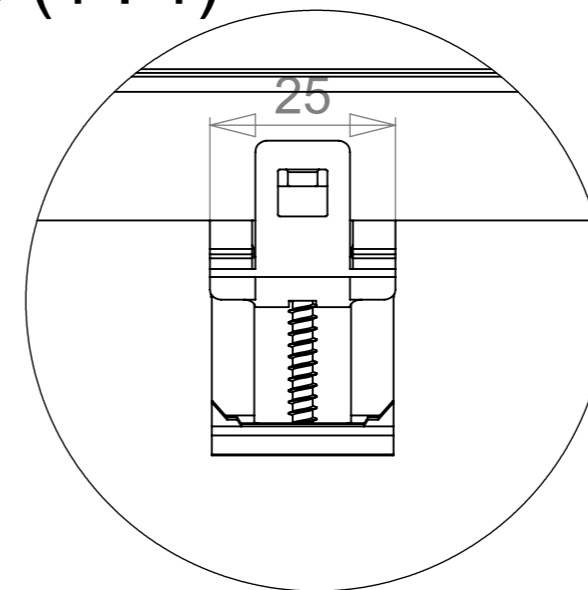
NOTE!  
Additional holes are not made by manufacturer, these will be made e.g. by the plumber!



A (1 : 1)



B (1 : 1)

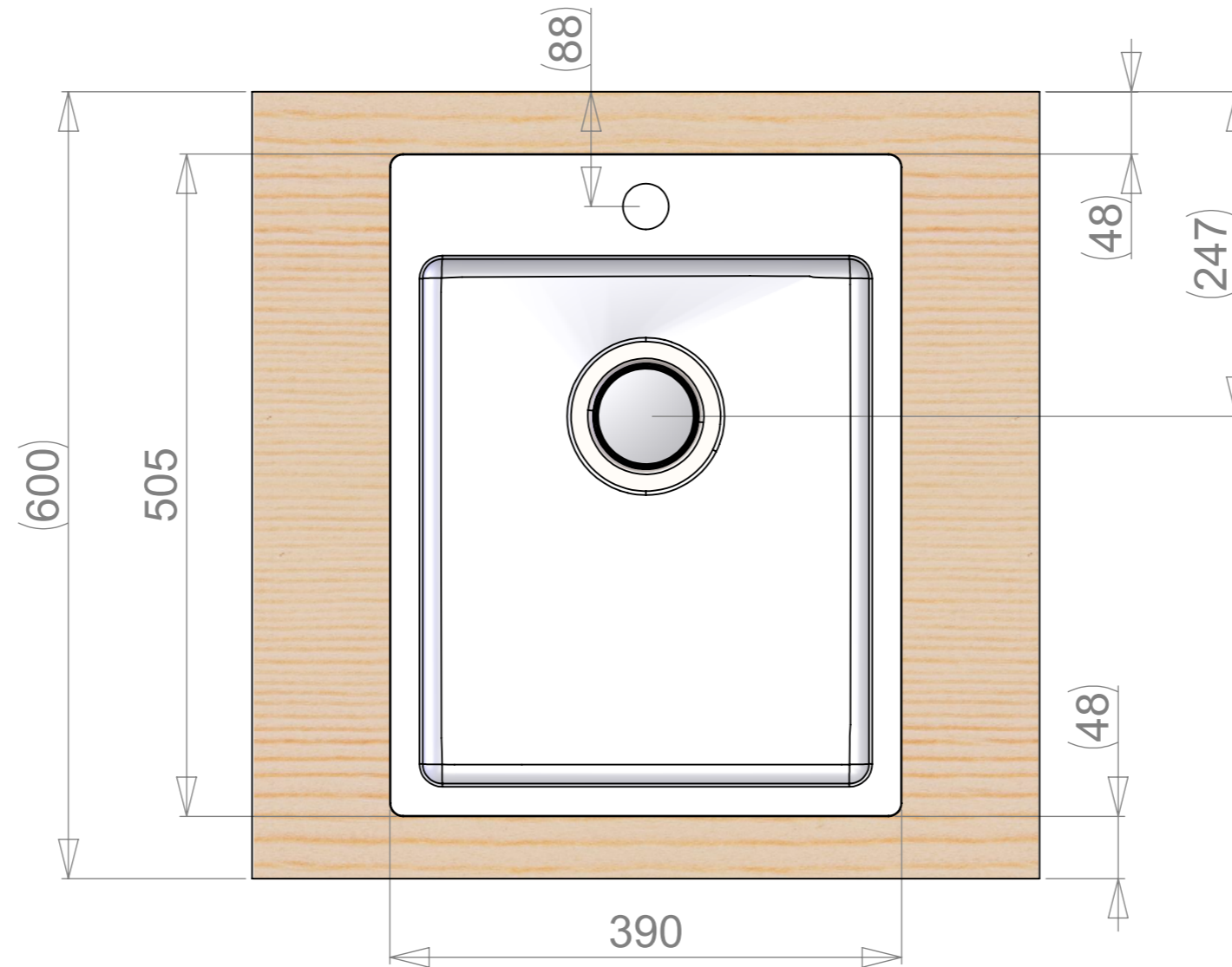


	Mass	20.92 kg	General tolerance	Designed by	Date
	Size	A3	Scale	VS	05.02.2019
 www.stala.com	Item	LAGOM-T34	Checked by	Date	
	Description	LAGOM-T34	Drawing number	Sheet/sheets	1/6
Technical Data Sheet			18176	Rev	B

Change description  
Additional holes

Date  
16.09.2019  
Designed by  
VS

WORKTOP ASSEMBLY



A  
B  
C  
D  
E  
F

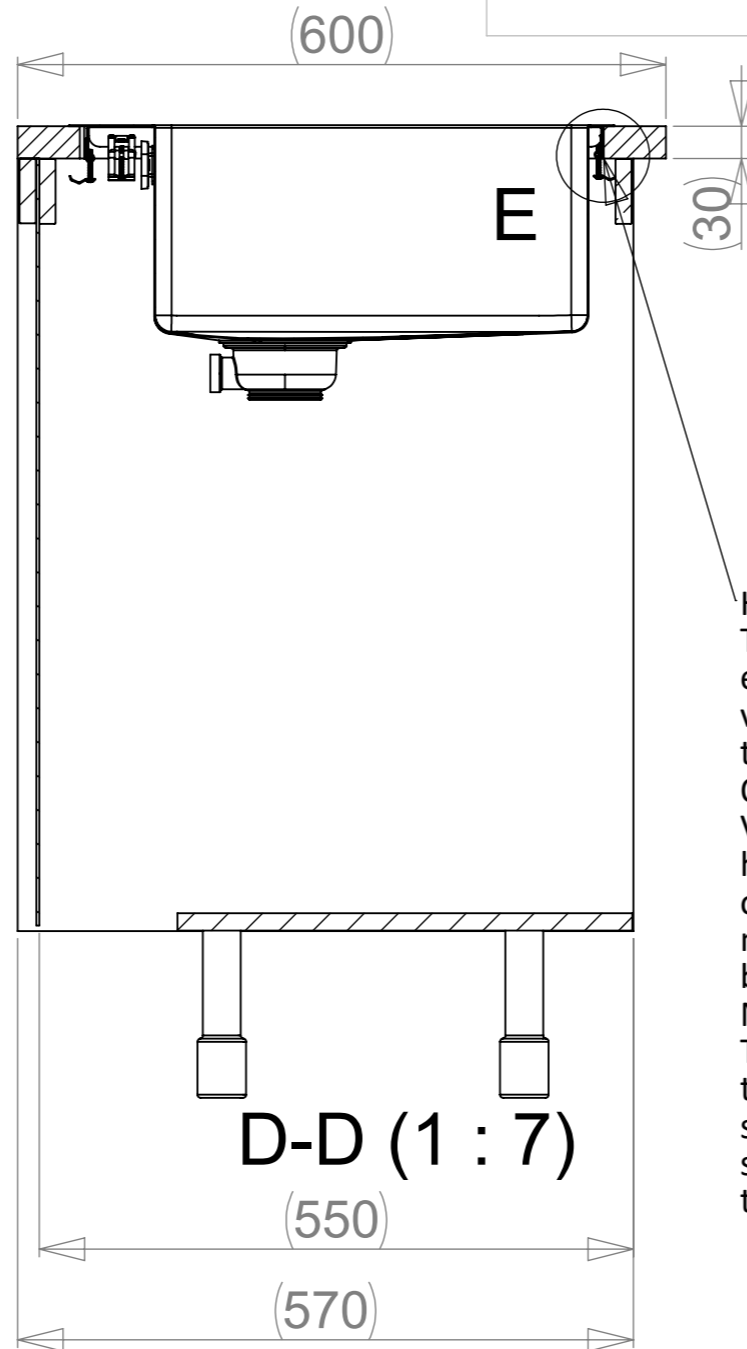
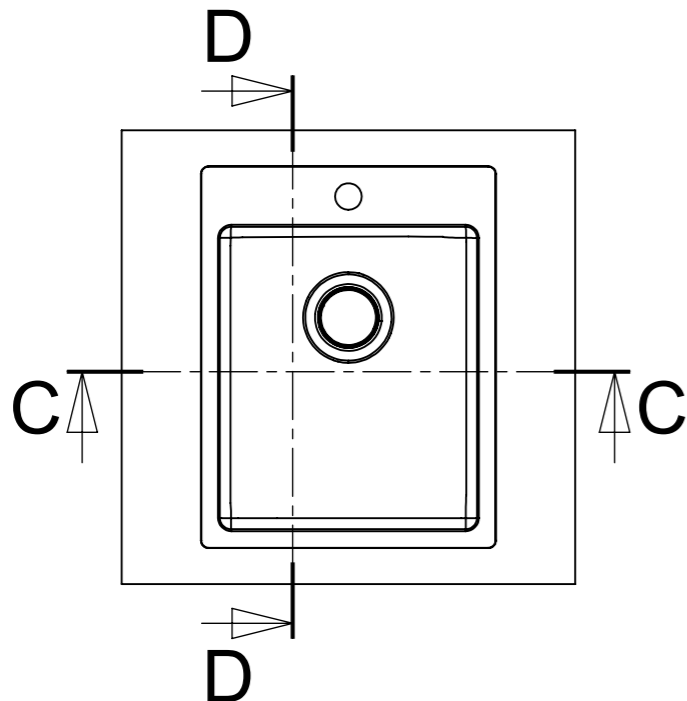
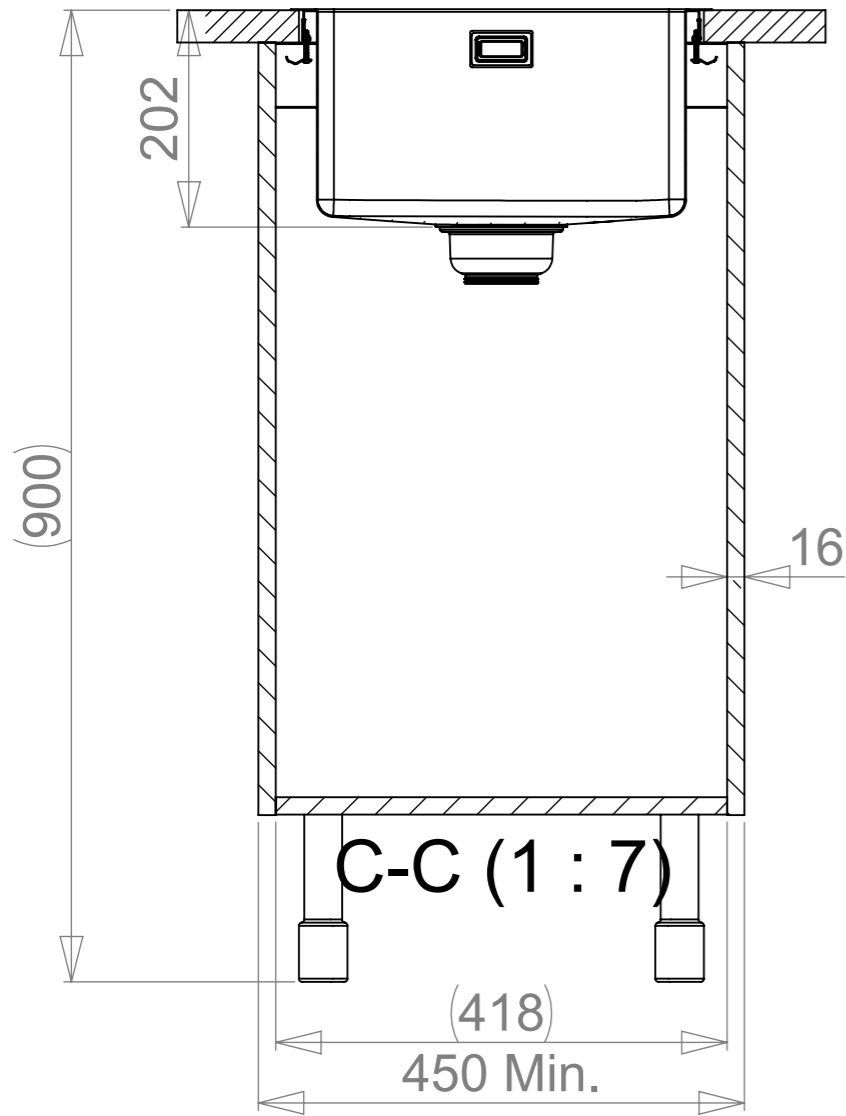
A  
B  
C  
D  
E  
F

	Mass	20.92 kg	General tolerance	Designed by	Date
	Size	A3	Scale	VS	05.02.2019
	Item	LAGOM-T34	Checked by	Date	
	Description	LAGOM-T34	Drawing number	Sheet/sheets	2/6
	Technical Data Sheet	18176	Rev	B	

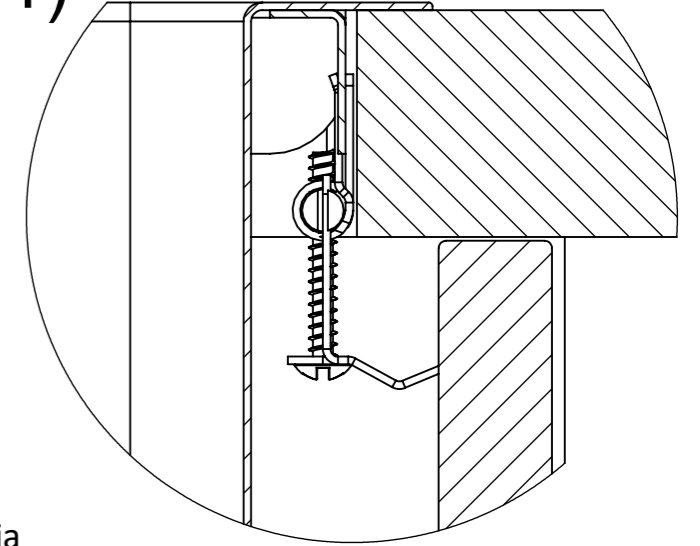
Change description  
Additional holes

Date  
16.09.2019  
Designed by  
VS

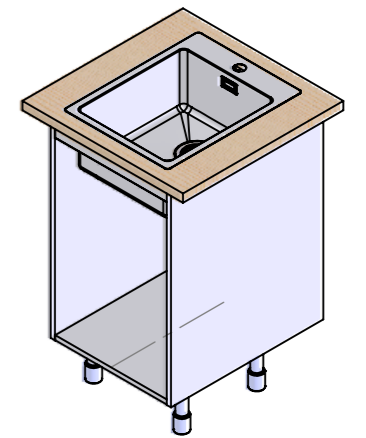
SPACE REQUIREMENTS



E (1 : 1)



Huom!  
Tarvittaessa kaapin väliseinää ja etu/takalistaa lovetettava kiinnikkeitä varten ja pesuallas on kiinnitettävä ennen työtason asennusta.  
Obs!  
Vid behov måste en inskärning för hofästena göras i skåpets mellanvägg och förbindningslist och diskbänken måste fästas innan du monterar bänkskivan.  
Notice!  
The partition walls and front/back list of the cupboard must be notched for the sink mountings when needed and the sink must be fastened before installing the worktop.



	Mass	20.92 kg	General tolerance	Designed by	VS	Date	05.02.2019
	Size	A3		Scale	1:10	Checked by	
 www.stala.com	Description			Drawing number	Sheet/sheets		
	LAGOM-T34 Technical Data Sheet			18176	3/6		
				Rev	B		

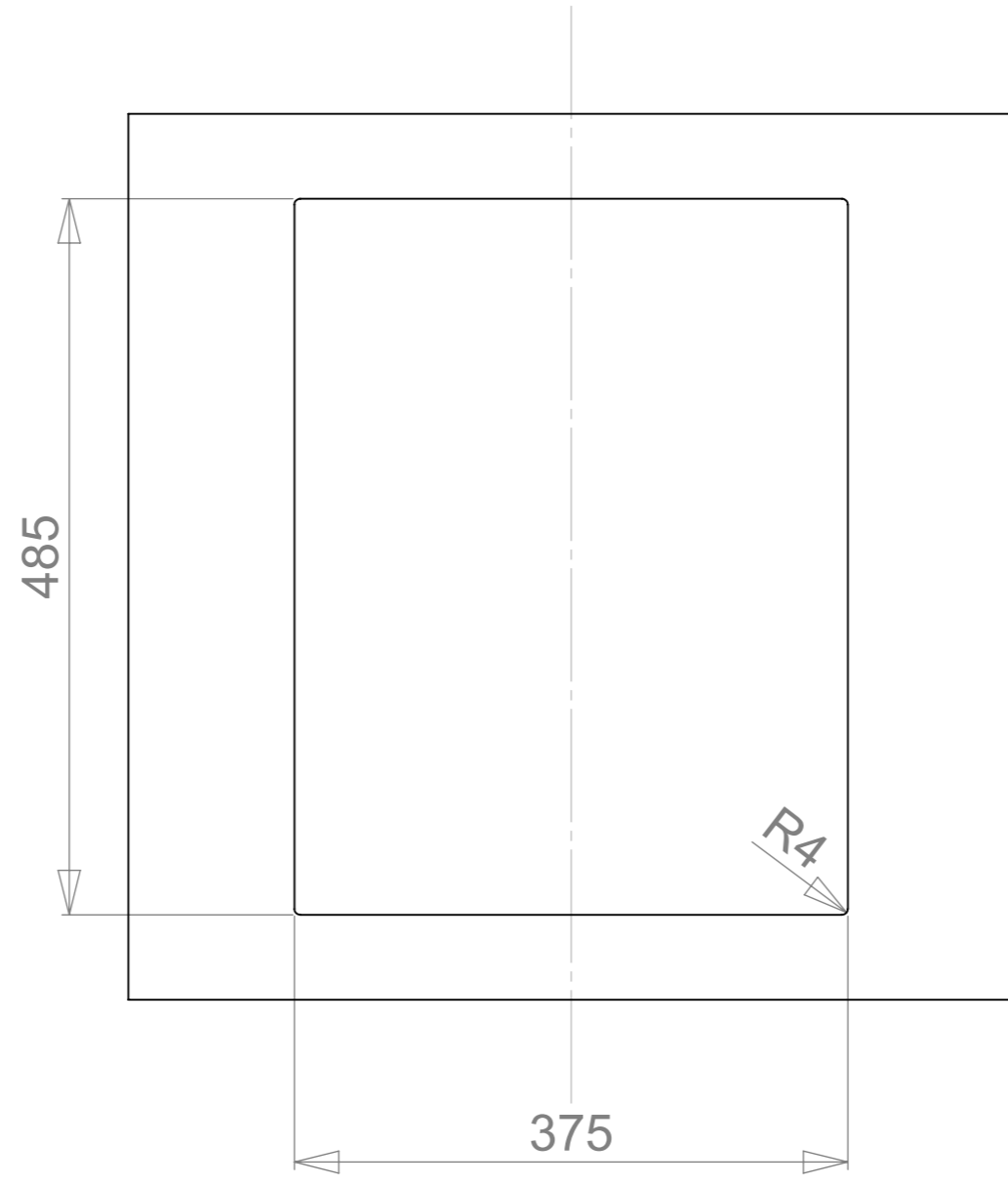
1 2 3 4 5 6 7 8

Change description  
Additional holes

Date  
16.09.2019

Designed by  
VS

CUT-OUT



A  
B  
C  
D  
E  
F

A  
B  
C  
D  
E  
F

	Mass	20.92 kg	General tolerance	Designed by	Date
	Size	A3	Scale	VS	05.02.2019
 www.stala.com			Item	Checked by	Date
	Description			Drawing number	Sheet/sheets
	LAGOM-T34 Technical Data Sheet			18176	4/6
				Rev	B

1 2 3 4 5 6 7 8

