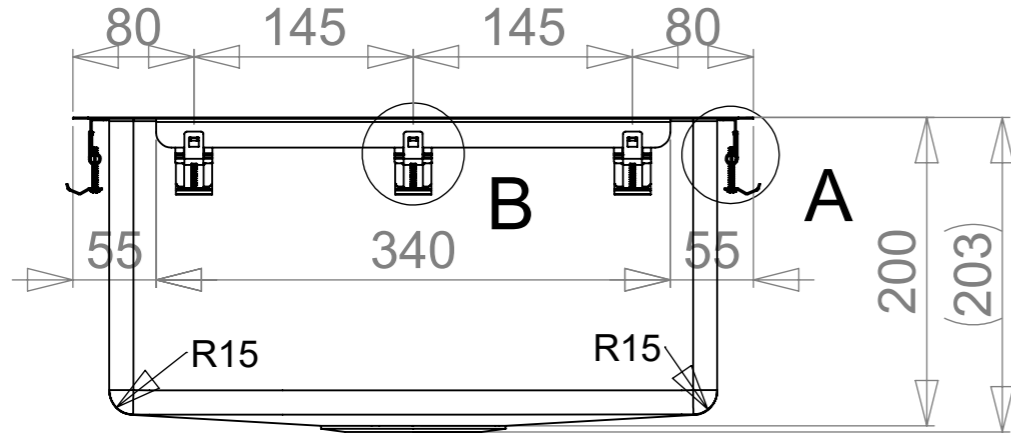


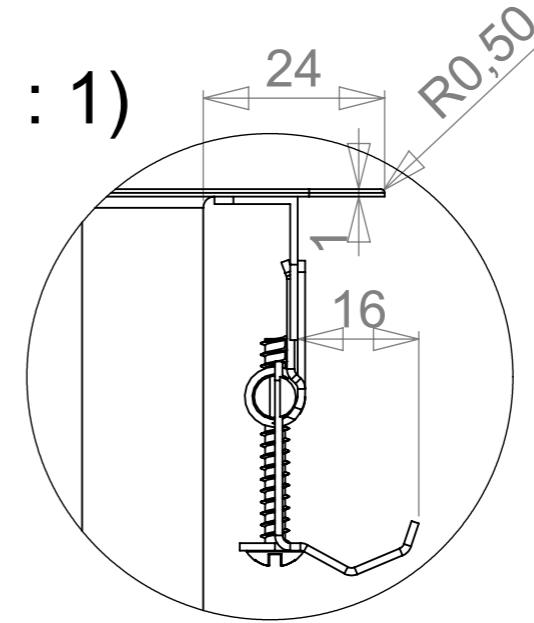
MAIN DIMENSIONS

Change description  
Additional holes

Date  
16.09.2019  
Designed by  
VS

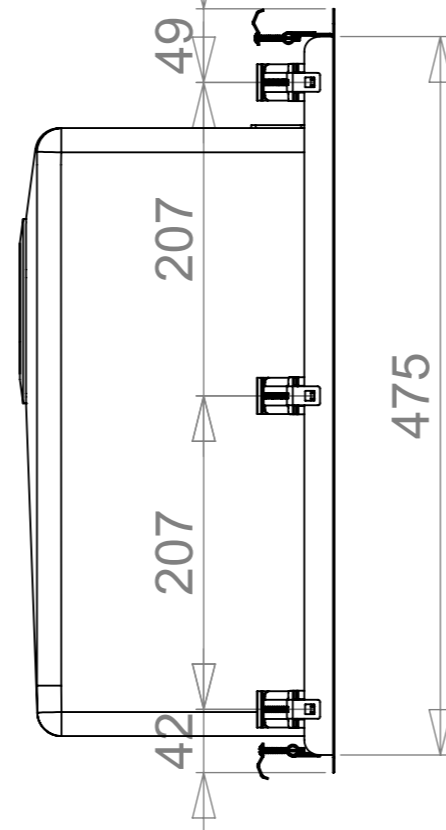
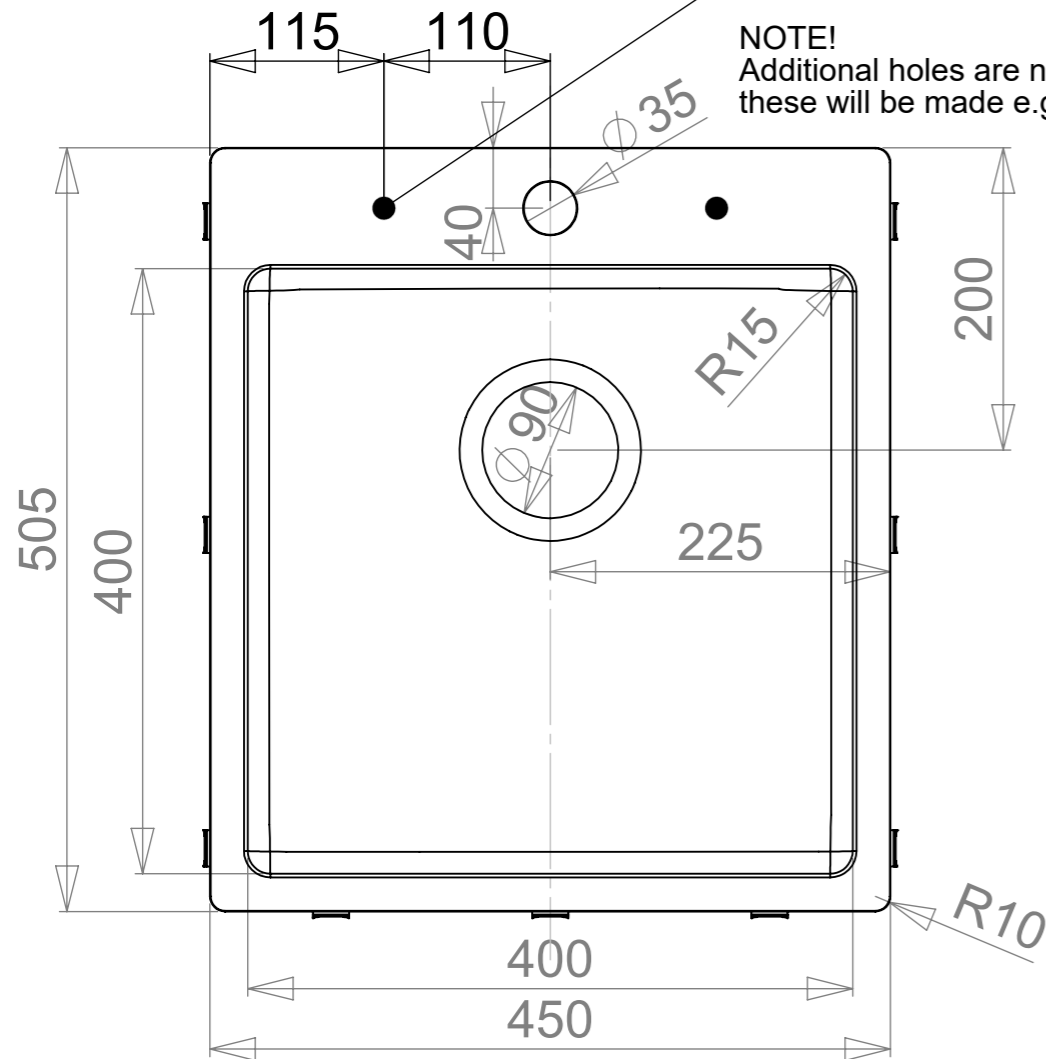


A (1 : 1)

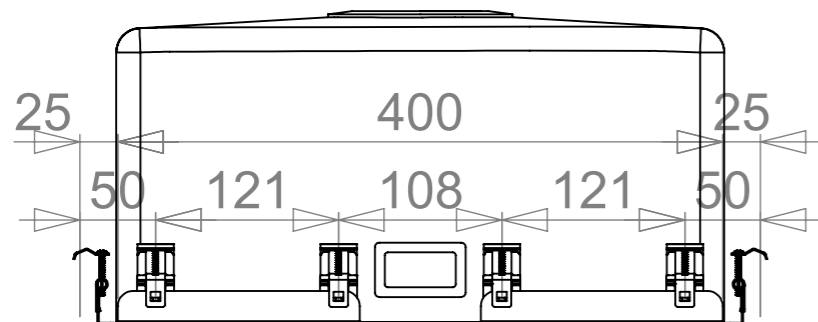
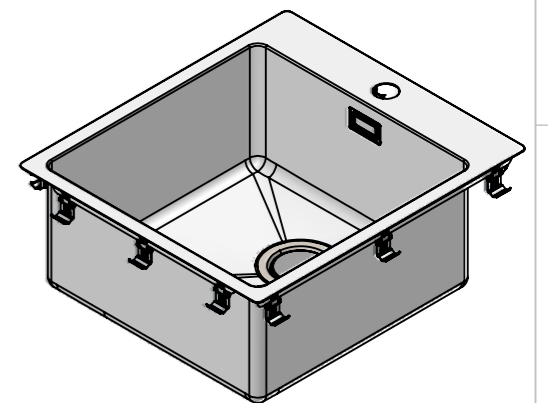
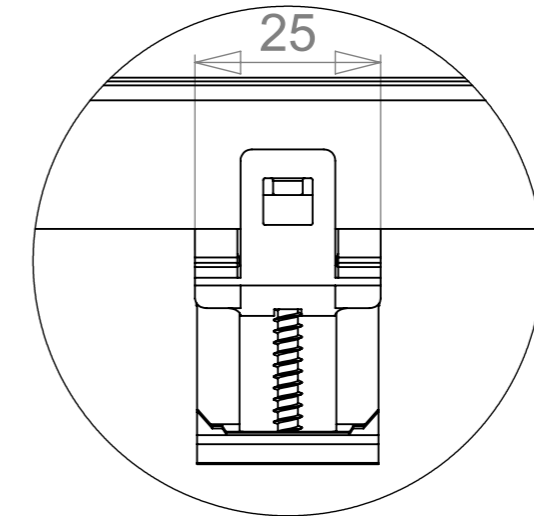


Place for additional holes in tap support. Maximum  $\varnothing 35$ mm.

NOTE!  
Additional holes are not made by manufacturer,  
these will be made e.g. by the plumber!



B (1 : 1)



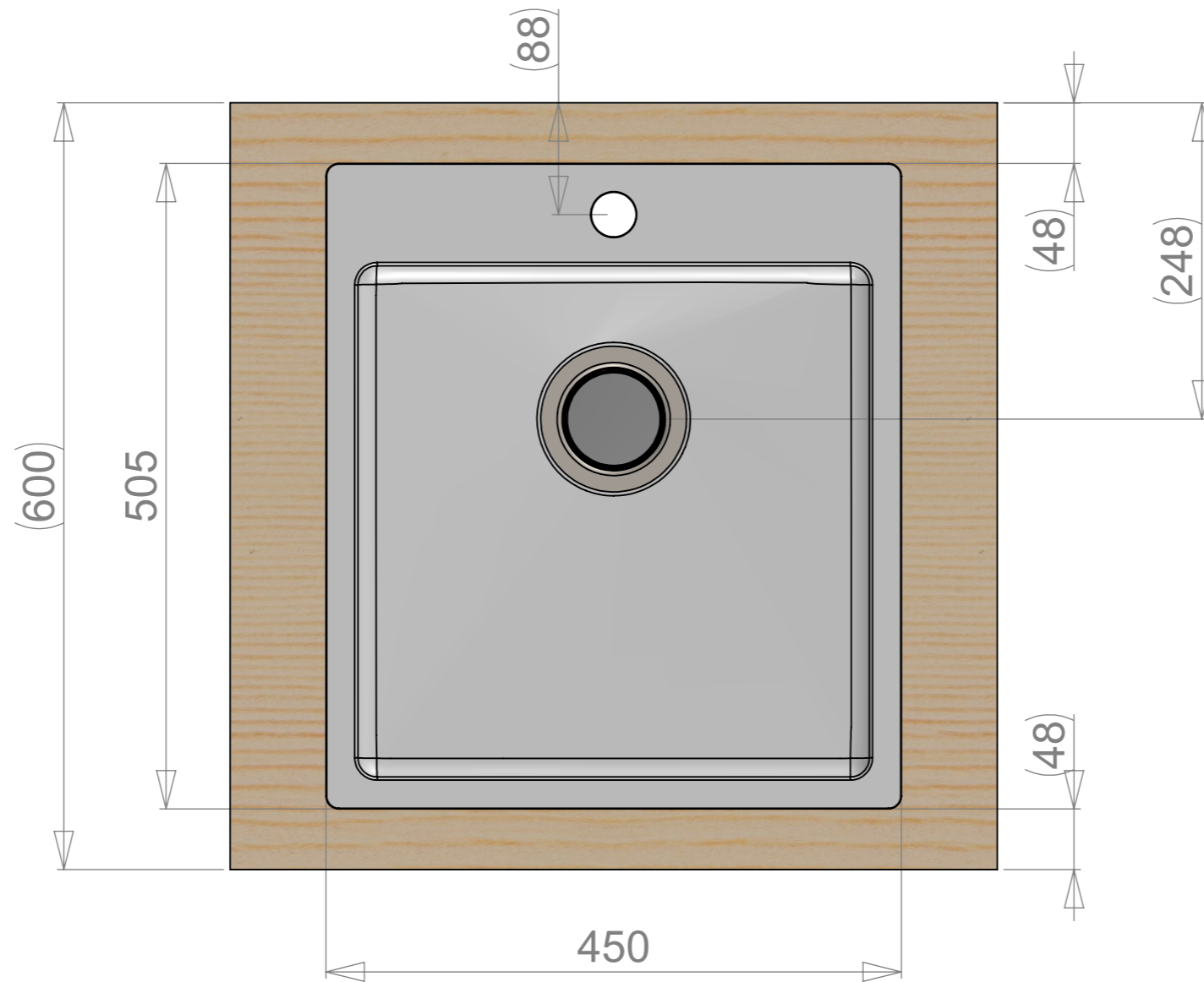
	Mass	20.58 kg	General tolerance	Designed by	Date
	Size	A3	Scale	VS	05.02.2019
 www.stala.com	Item		Description	Checked by	Date
			LAGOM-T40 Technical Data Sheet		
			Drawing number	Sheet/sheets	
			<b>18179</b>	1/6	
				Rev	A

WORKTOP ASSEMBLY

Change description  
Additional holes

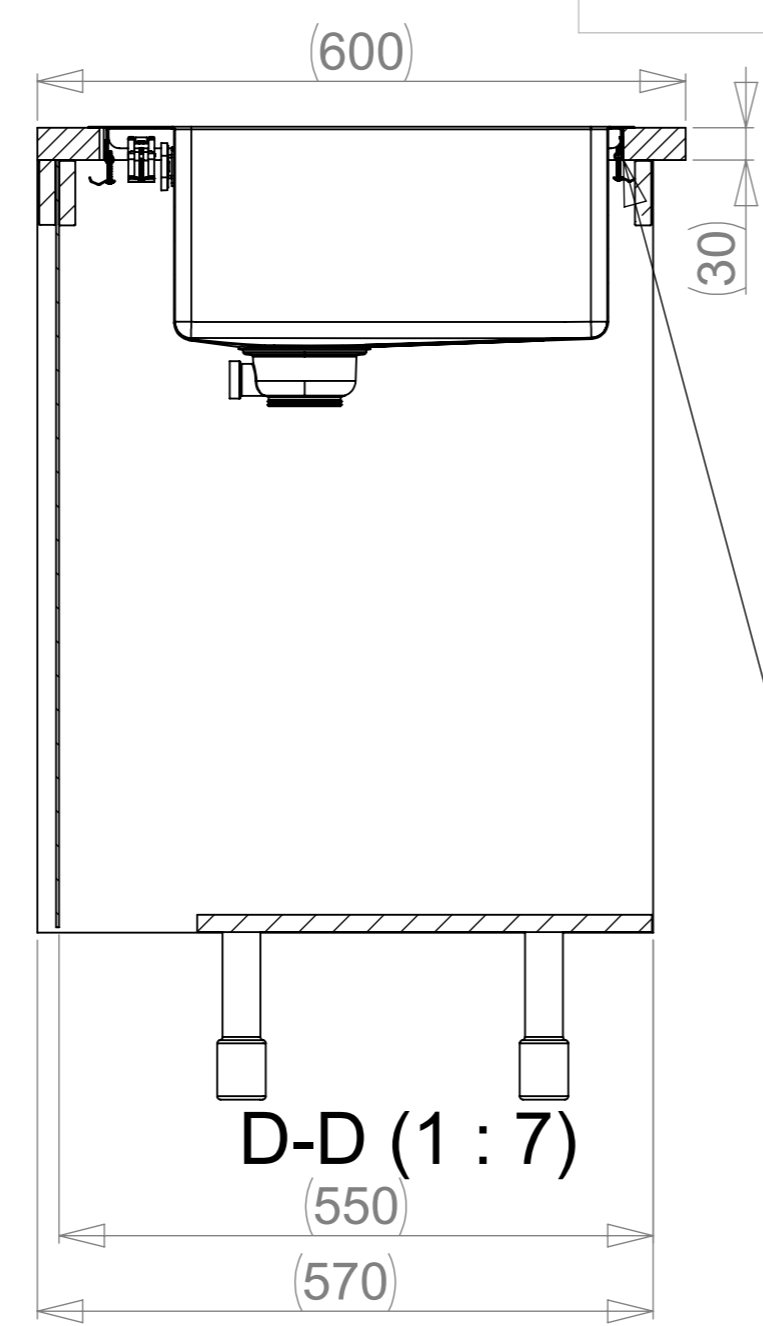
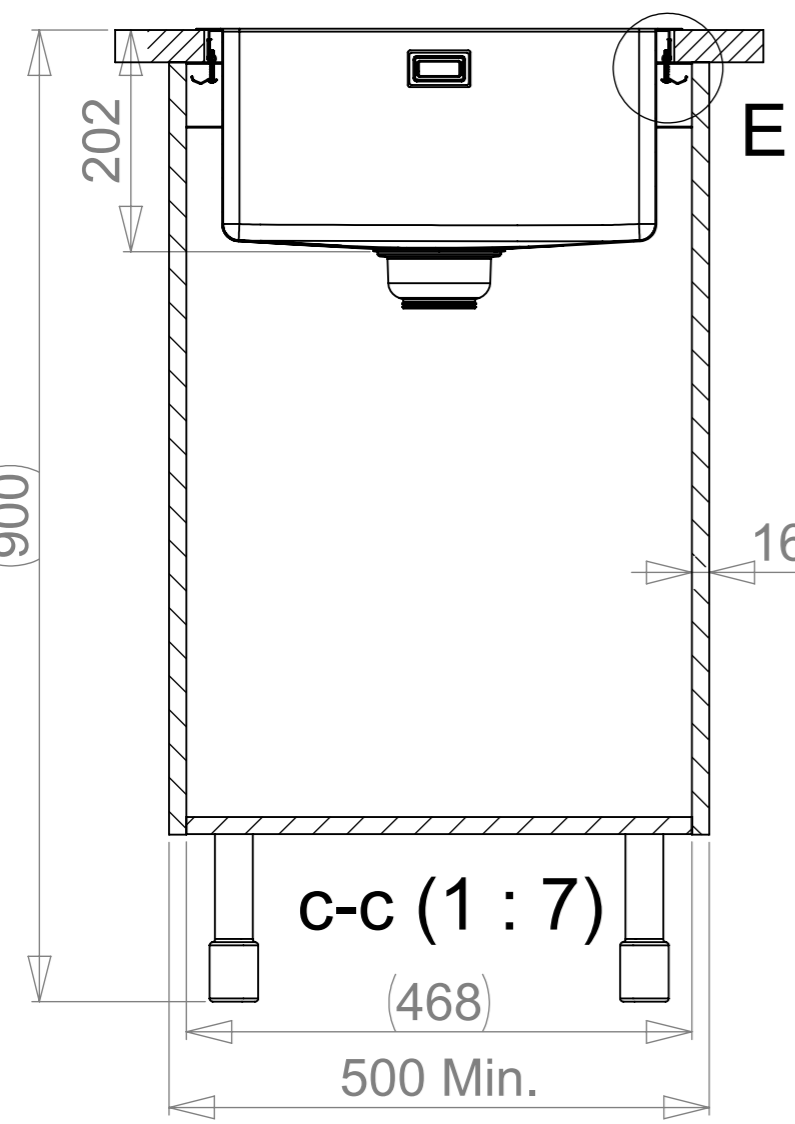
Date  
16.09.2019

Designed by  
VS

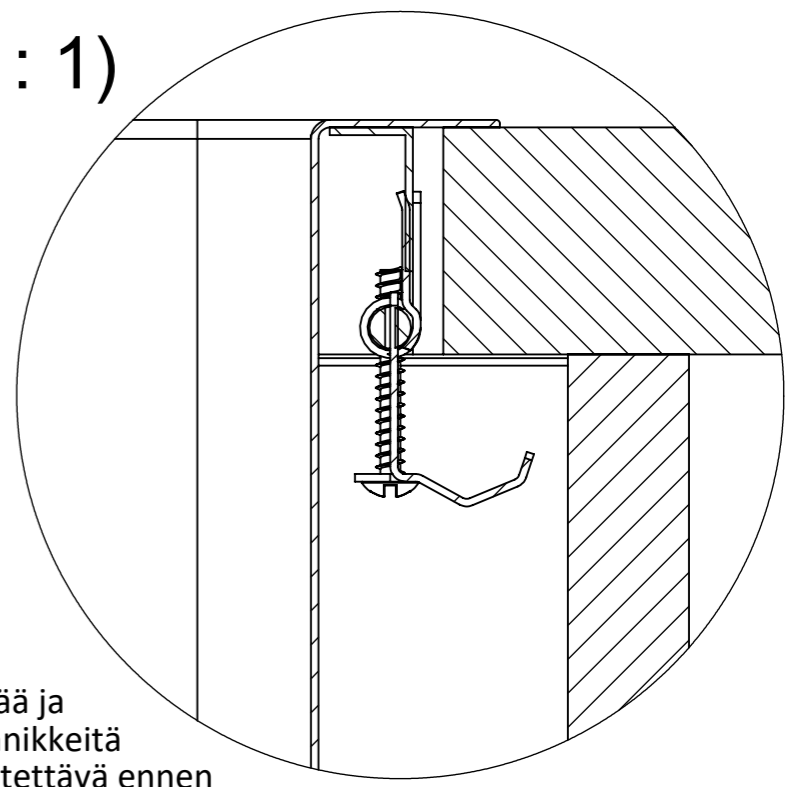


	Mass	20.58 kg	General tolerance	Designed by	VS	Date	05.02.2019
	Size	A3	Scale	1:5	Item	Checked by	Date
 www.stala.com	Description			Drawing number	18179	Sheet/sheets	2/6
	LAGOM-T40 Technical Data Sheet			Rev	A		

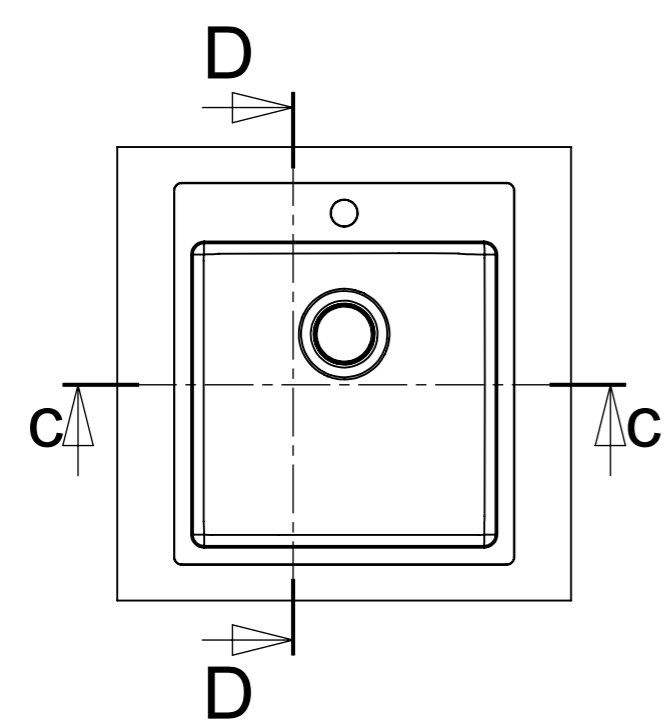
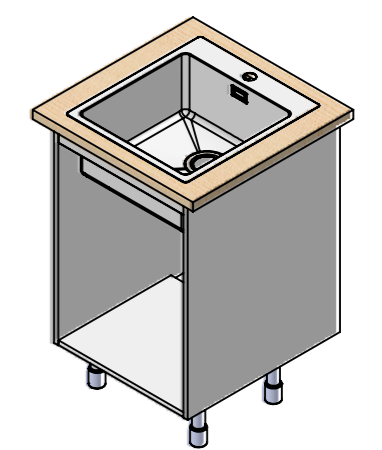
SPACE REQUIREMENTS



E (1 : 1)



Huom!  
 Tarvittaessa kaapin väliseinää ja etu/takalistaa lovetettava kiinnikkeitä varten ja pesuallas on kiinnitettävä ennen työtason asennusta.  
 Obs!  
 Vid behov måste en inskärning för hofästena göras i skåpets mellanvägg och förbindningslist och diskbänken måste fästas innan du monterar bänkskivan.  
 Notice!  
 The partition walls and front/back list of the cupboard must be notched for the sink mountings when needed and the sink must be fastened before installing the worktop.



Change description Additional holes	Date 16.09.2019	Designed by VS
--	--------------------	-------------------

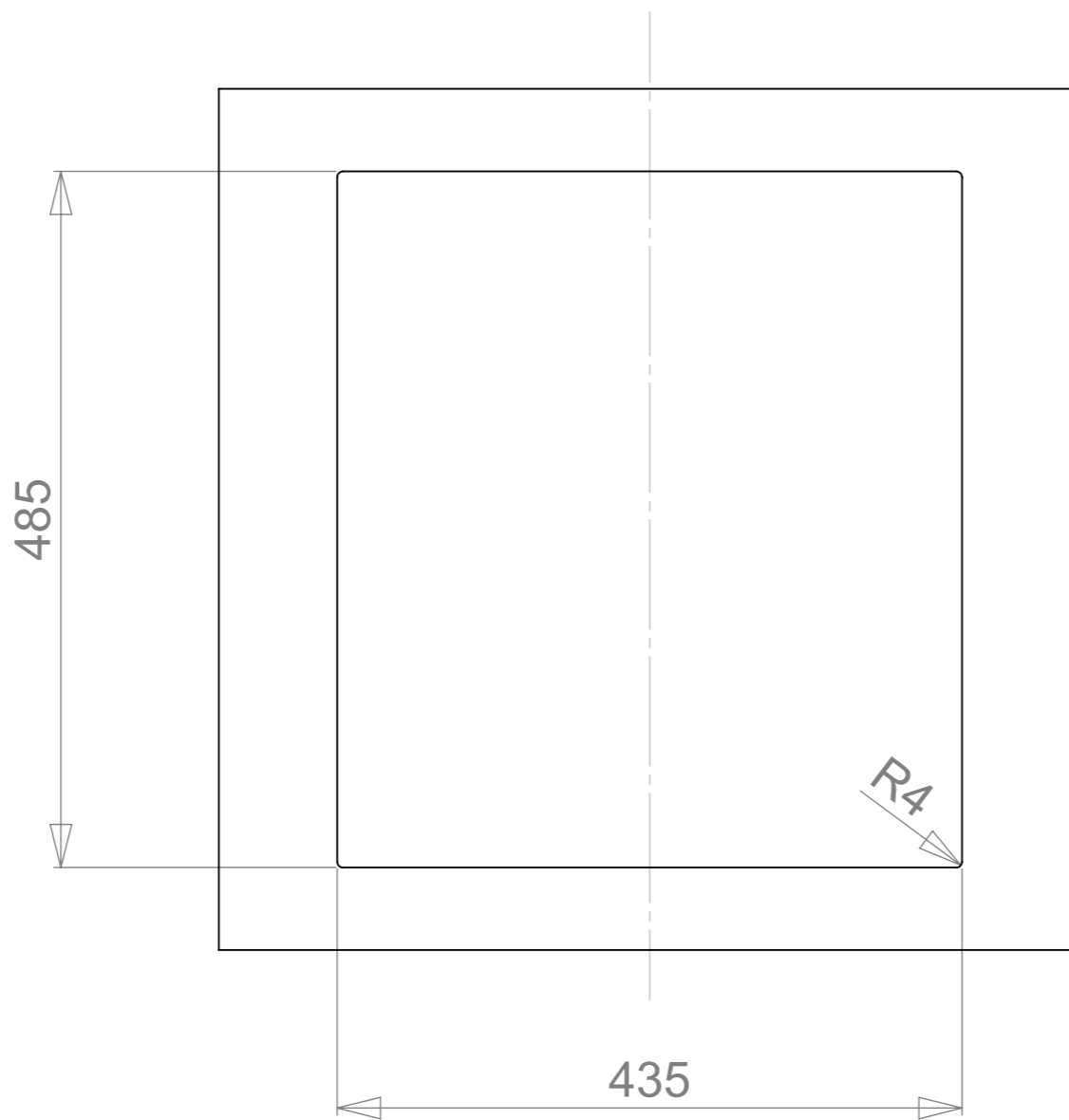
 Mass <b>20.58 kg</b> Size <b>A3</b>	General tolerance  Scale <b>1:10</b>	Designed by <b>VS</b>	Date <b>05.02.2019</b>
		Item	Date
 www.stala.com	Description <b>LAGOM-T40</b> <b>Technical Data Sheet</b>	Checked by	Sheet/sheets <b>3/6</b>
		Drawing number <b>18179</b>	Rev <b>A</b>

CUT-OUT

Change description  
Additional holes

Date  
16.09.2019

Designed by  
VS



Mass  
20.58 kg

Size  
A3

Scale  
1:5

General tolerance

Item

Designed by  
VS

Checked by

Date  
05.02.2019

Date



www.stala.com

Description

**LAGOM-T40**  
**Technical Data Sheet**

Drawing number

**18179**

Sheet/sheets

**4/6**

Rev

**A**

