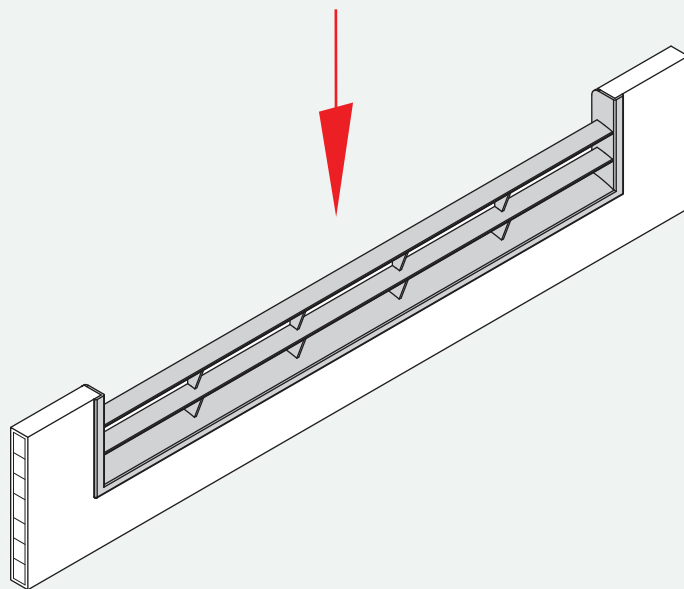
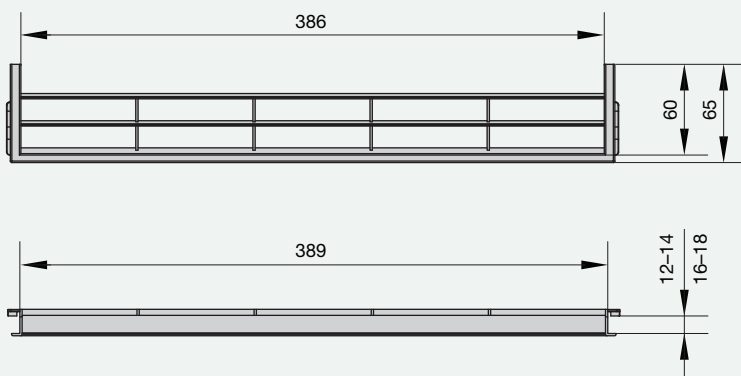



Ventilation grids

Application example for article **190008/190009**
air slot 200 cm²




Cut out: 389 x 60 mm



 stock article

 65 pcs.

 stock article

 65 pcs.

190008

Ventilation grid

12-14 mm plinth thickness

190009

Ventilation grid

16-18 mm plinth thickness

Articles not to scale