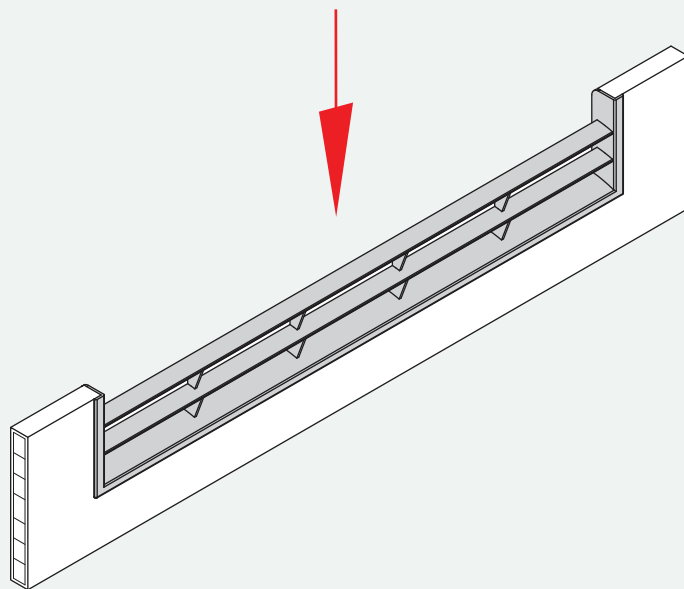
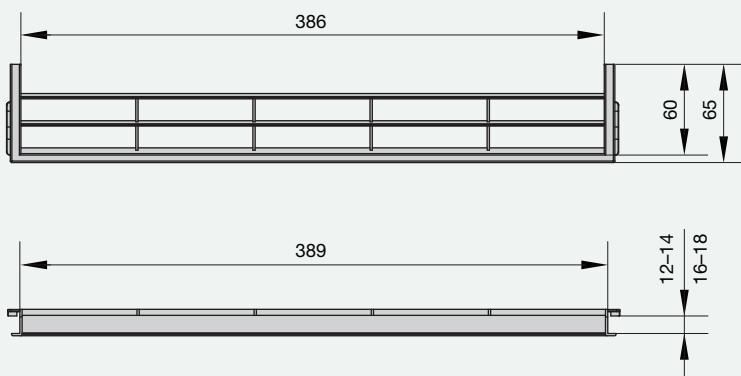



## Ventilation grids

Application example for article 190008/**190009**  
air slot 200 cm<sup>2</sup>




Cut out: 389 x 60 mm



 stock article

 65 pcs.

 stock article

 65 pcs.

**190008**  
Ventilation grid  
12-14 mm plinth thickness

**190009**  
Ventilation grid  
16-18 mm plinth thickness

Articles not to scale