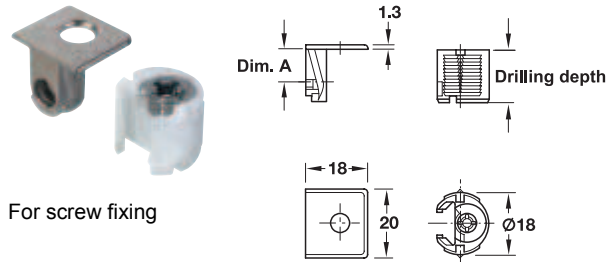
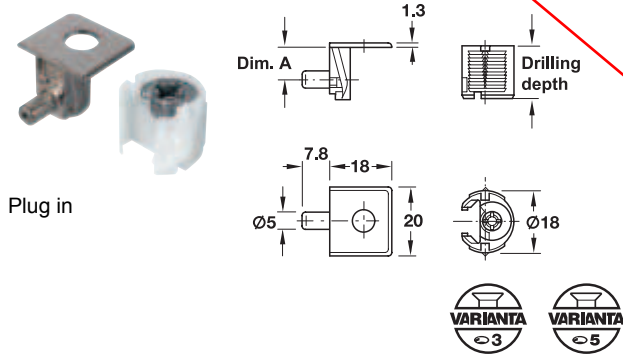


With tensioning element



For screw fixing



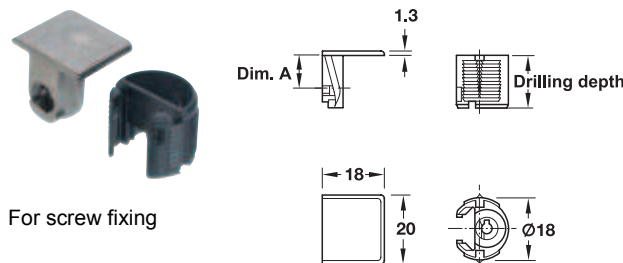
Plug in

- Version: With tensioning element
- Material: Support and tensioning element: Zinc alloy, boss insert: Plastic
- Finish: Support: Nickel plated or black, boss insert: Untreated, black, light brown, white, brown or grey
- Drill hole Ø: Boss insert 18 mm, support 5 mm
- Drive: PZ2 cross slot

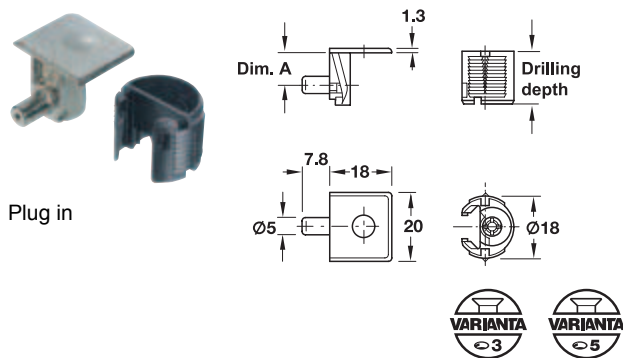
For wood thickness mm	Dim. A mm	Drilling depth mm	Nickel plated	Black
For screw fixing				
From 16	8	13	263.66.530	263.66.334
From 19	9.5	15	263.66.558	263.66.352
From 23	11.5	17	263.66.576	263.66.370
From 26	13	18.5	263.66.585	263.66.389
From 29	14.5	20	263.66.594	263.66.398
From 32	16	22	263.66.601	263.66.405
From 50	25	31	263.66.635	–
Plugging into drill hole Ø 5 mm				
From 16	8	13	263.67.537	–
From 19	9.5	15	263.67.555	–
From 23	11.5	17	263.67.573	–

Packing: 100 pieces

Without tensioning element



For screw fixing



Plug in

- Material: Support: Zinc alloy, boss insert: Plastic
- Finish: Support: Nickel plated or black, boss insert: Untreated, black, light brown, white, brown or grey
- Drill hole Ø: Boss insert 18 mm, support 5 mm

For wood thickness mm	Dim. A mm	Drilling depth mm	Nickel plated
For screw fixing			
From 16	8	13	263.73.535
From 19	9.5	15	263.73.553
From 23	11.5	17	263.73.571
From 26	13	18.5	263.73.580
From 29	14.5	20	263.73.599
From 32	16	22	263.73.606
For plug fitting into drill hole Ø 5 mm			
From 16	8	13	263.74.532
From 19	9.5	15	263.74.550

Packing: 100 pieces

DGH-M-INT 2008, HDE-en, 09/08, Dimensional data not binding. We reserve the right to alter specifications without notice.