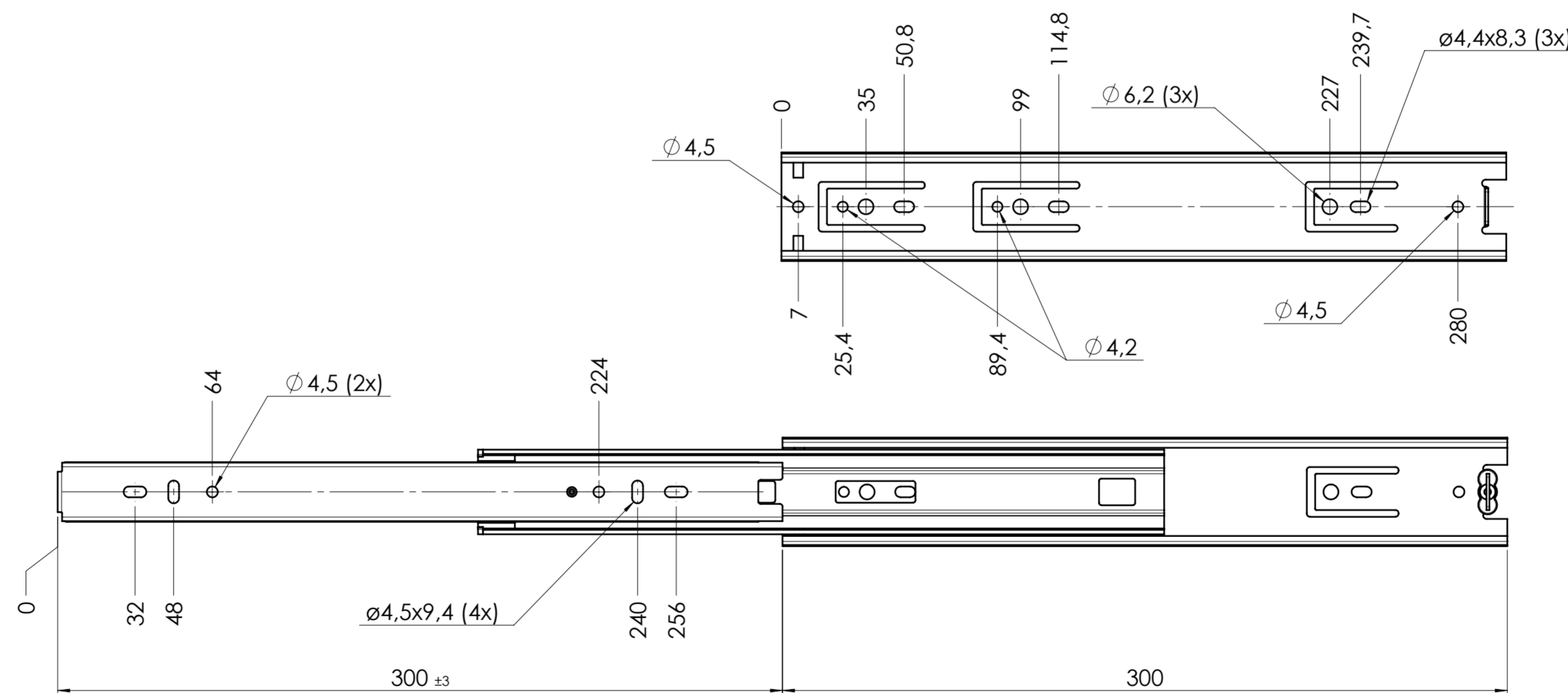


CABINET MOUNTING HOLES



RECOMMENDED HARDWARE:
 CABINET- 3.5mm SPAX M4 BUTTON HEAD OR #8 TRUSS HEAD SCREW
 DRAWER- 3.5mm SPAX M4 BUTTON HEAD OR #8 TRUSS HEAD SCREW

general tolerances		stamping part according Fulterer W18-001		plastic part according DIN ISO 16742 TG4		DIN ISO 128-30 missing dimensions see 3D = theor. intersection	
This drawing remains our property and may not be multiplied neither be disclosed to third parties (§§1,3 and 5 from the copyright Act (UrhG))							
covered according to DIN ISO 16016				scale:	1:2	surface:	material, semi finished parts: Steel (technical requirements Fulterer)
(k)				drawn	12-05-2021	name	MW
(l)				proven	00-00-0000		00
(h)				Fulterer			
(g)							
(f)				Fulterer AG & Co KG A-6890 Lustenau / Austria			
(e)				Fulterer AG CH-9430 St. Margrethen			
(d)				drawing number: 5046.300-GA.C200A			
(c)				replaces version date:			
(b)				ind.	changes	date	na.
(a)	0			00-00-0000	0		