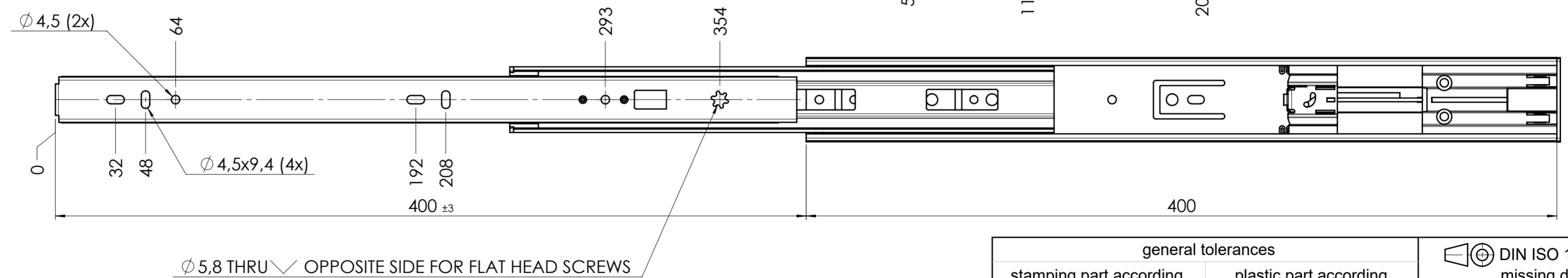
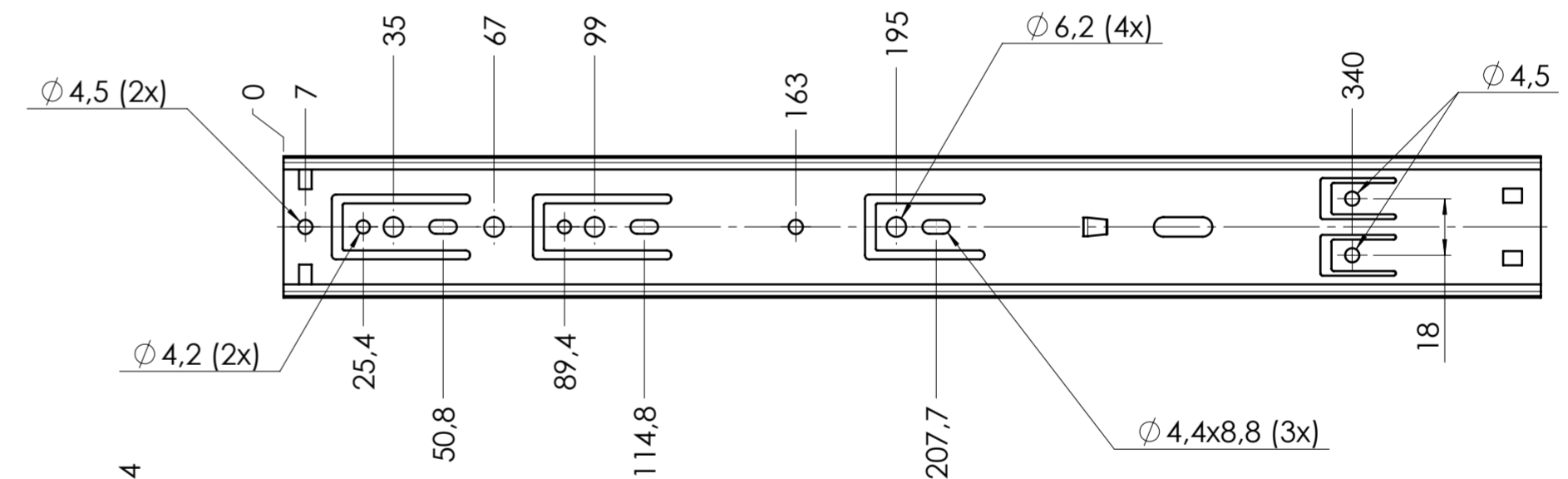


CABINET MOUNTING HOLES



RECOMMENDED HARDWARE:
 CABINET- 3.5mm SPAX M4 BUTTON HEAD OR #8 TRUSS HEAD SCREW
 DRAWER- 3.5mm SPAX M4 BUTTON HEAD OR #8 TRUSS HEAD SCREW

general tolerances		DIN ISO 128-30	
stamping part according Fulterer W18-001	plastic part according DIN ISO 16742 TG4	missing dimensions see 3D = theor. intersection	
This drawing remains our property and may not be multiplied neither be disclosed to third parties (§§1,3 and 5 from the copyright Act (UrhG)) covered according to DIN ISO 16016			
(k)		scale:	material, semi finished parts: STEEL
(l)		1:2	(technical requirements Fulterer)
(m)		surface:	A2
(n)		date	description:
(o)		drawn 09-12-2020	MW
(p)		proven 00-00-0000	00
(q)		Fulterer	
(r)			
(s)		Fulterer AG & Co KG	
(t)		A-6890 Lustenau / Austria	
(u)		Fulterer AG	
(v)		CH-9430 St. Margrethen	
(a)	Lochposition angepasst	16-04-2021	MW
(b)	changes	date	na.
(c)			
(d)			
(e)			
(f)			
(g)			
(h)			
(i)			
(j)			
(k)			
(l)			
(m)			
(n)			
(o)			
(p)			
(q)			
(r)			
(s)			
(t)			
(u)			
(v)			
(w)			
(x)			
(y)			
(z)			