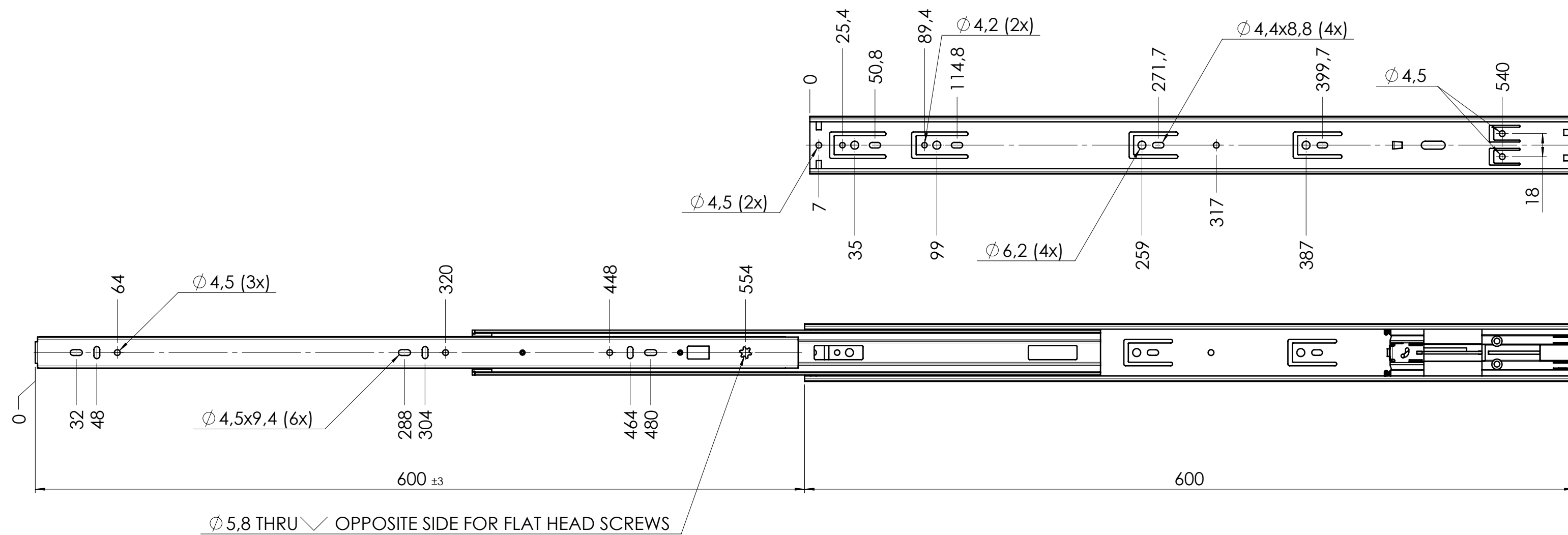


CABINET MOUNTING HOLES



RECOMMENDED HARDWARE:
 CABINET- 3.5mm SPAX M4 BUTTON HEAD OR #8 TRUSS HEAD SCREW
 DRAWER- 3.5mm SPAX M4 BUTTON HEAD OR #8 TRUSS HEAD SCREW

general tolerances		stamping part according Fulterer W18-001		plastic part according DIN ISO 16742 TG4		DIN ISO 128-30 missing dimensions see 3D = theor. intersection	
This drawing remains our property and may not be multiplied neither be disclosed to third parties (§§1,3 and 5 from the copyright Act (UrhG)) covered according to DIN ISO 16016							
scale: 1:3		surface:		material, semi finished parts: STEEL (technical requirements Fulterer)			
drawn 09-12-2020		date 09-12-2020		name MW		description: SIDE MOUNT FULL EXTENSION DRAWER SLIDE WITH SOFT- CLOSE & DRAWER DISCONNECT	
proven 00-00-0000		date 00-00-0000		name 00		drawing number: 5046.600-GA.C001A	
Fulterer		Fulterer AG & Co KG A-6890 Lustenau / Austria		Fulterer AG CH-9430 St. Margrethen		replaces version date:	
(k)		Lochposition angepasst		16-04-2021		MW	
(l)		changes		date		na.	
(m)							
(n)							
(o)							
(p)							
(q)							
(r)							
(s)							
(t)							
(u)							
(v)							
(w)							
(x)							
(y)							
(z)							