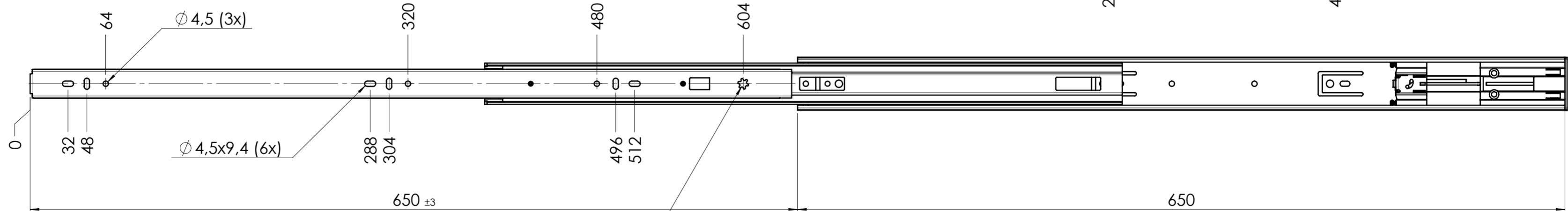
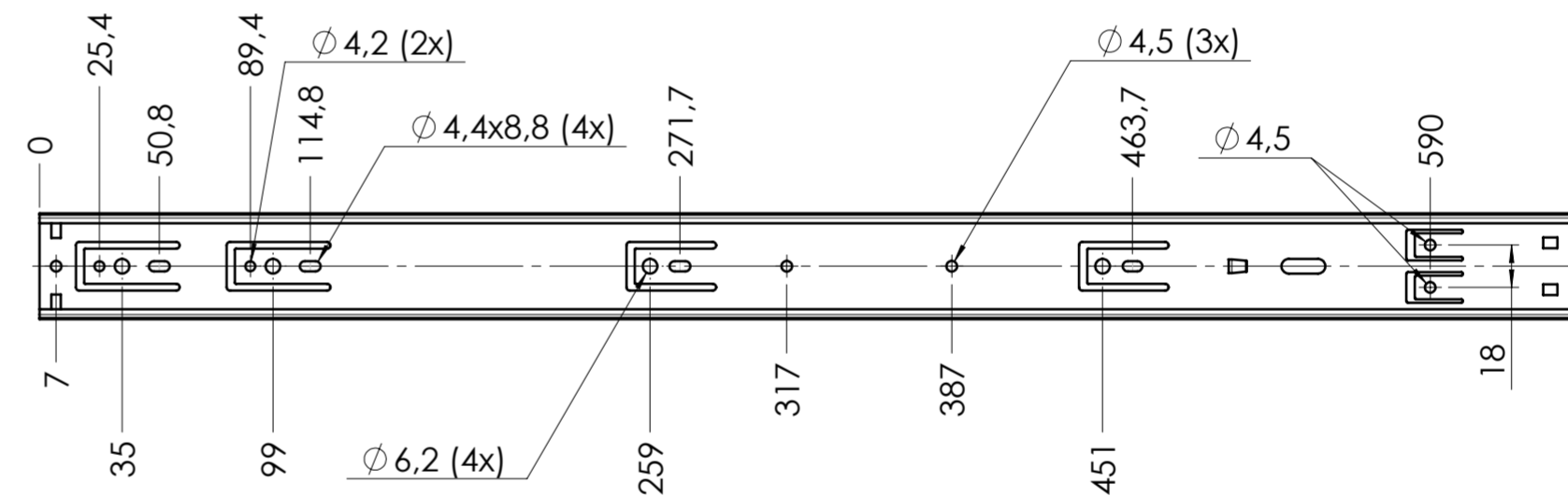


### CABINET MOUNTING HOLES



$\phi 5.8$  THRU OPPOSITE SIDE FOR FLAT HEAD SCREWS

### RECOMMENDED HARDWARE:

CABINET- 3.5mm SPAX M4 BUTTON HEAD OR #8 TRUSS HEAD SCREW

DRAWER- 3.5mm SPAX M4 BUTTON HEAD OR #8 TRUSS HEAD SCREW

general tolerances		DIN ISO 128-30 missing dimensions see 3D = theor. intersection
stamping part according Fulterer W18-001	plastic part according DIN ISO 16742 TG4	
This drawing remains our property and may not be multiplied neither be disclosed to third parties (§§1,3 and 5 from the copyright Act (UrhG))		
covered according to DIN ISO 16016		scale: 1:3
		surface: STEEL
		material, semi finished parts: STEEL
		(technical requirements Fulterer)
		description: SIDE MOUNT FULL EXTENSION DRAWER SLIDE WITH SOFT-CLOSE & DRAWER DISCONNECT
		drawing number: 5046.650-GA.C001A
		replaces version date:
(k)		
(l)		
(m)		
(n)		
(o)		
(p)		
(q)		
(r)		
(s)		
(t)		
(u)		
(v)		
(w)		
(x)		
(y)		
(z)		
(a)	Lochposition angepasst	16-04-2021 MW
(b)		
(c)		
(d)		
(e)		
(f)		
(g)		
(h)		
(i)		
(j)		
(k)		
(l)		
(m)		
(n)		
(o)		
(p)		
(q)		
(r)		
(s)		
(t)		
(u)		
(v)		
(w)		
(x)		
(y)		
(z)		
(a)	changes	date na.