



Ruota adatta per carrelli, cassettiere, tavoli e arredamento in genere. Disponibile anche con freno a pedale. Supporto in zama o in nylon. Ruote in nylon o gomma poliuretanicata adatta a tutti i tipi di pavimentazione. Freno in nylon stabilizzato. Dischetti laterali in ABS colorati o finiture legno.

Wheel designed particularly for trolleys, filing cabinets, tables and furniture in general. Also available with a locking brake. Support made of Zamack or nylon, Twin-wheels in nylon or synthetic rubber suitable for all types of flooring. Side discs available in coloured ABS or wood or wood finishes.

DISKY2

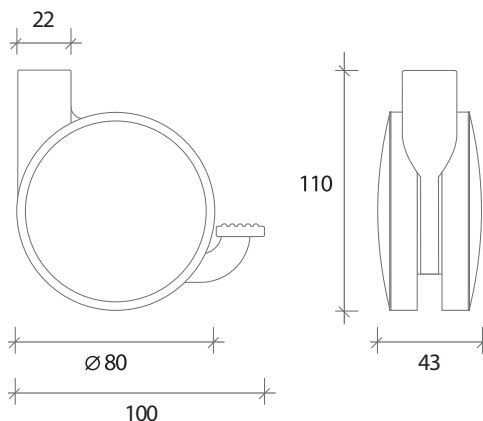
JAMES IRVINE

DISKY2

PATENT

Portata utile zama 80 Kg.
nylon 50 Kg.

Capacity zama 80 Kg.
nylon 50 Kg.



Dischetti Lateral - Side Disks



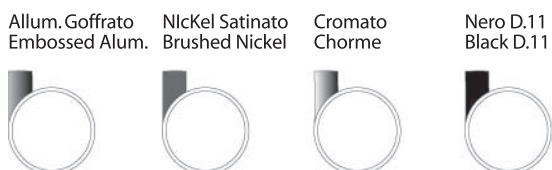
Battistrada in Nylon Nylon Tyres



Battistrada in Gomma Rubber Tyres



Supporto in Zama Zamack Supports



Supporto in Nylon Nylon Supports



Indicazioni per il fissaggio - Fastening indications

