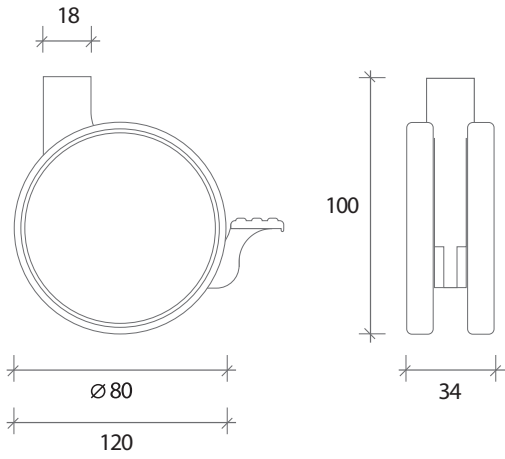




OTM[®]
80

YOYO
RAUL BARBIERI



YOYO
PATENT

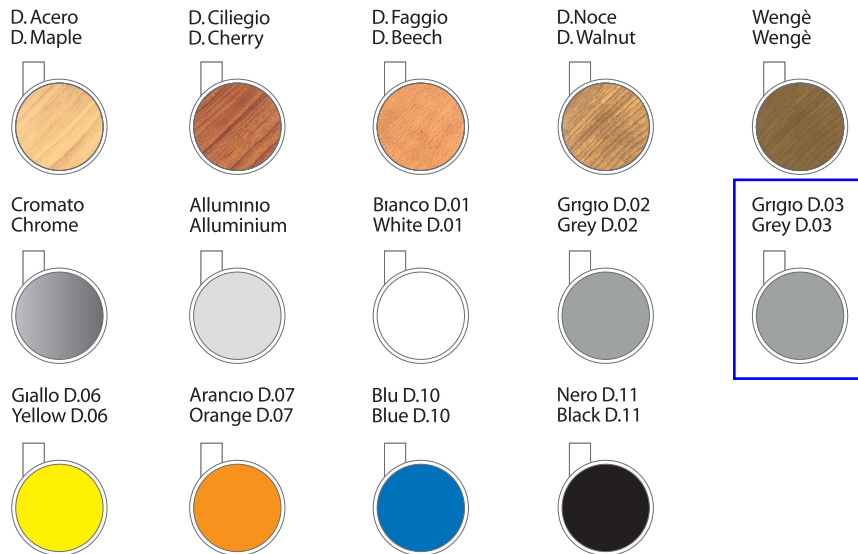
Portata utile 50 Kg.
Capacity 50 Kg.

Ruota adatta per carrelli e complementi d'arredo. Disponibile anche con freno a pedale. Supporto in zama pressofusione, cromata o con verniciatura alluminio o altri colori. Ruote in nylon con fascia in gomma termoplastica. Freni in nylon stabilizzato. Dischetti laterali in ABS colorati o finiture in legno.

Wheel designed particularly for trolleys and furniture accessories. Also available with a locking brake. Support made of die cast Zamack Chromium-plated or epoxy enamelled aluminium or other colours. Twin-wheels in nylon with tyres in synthetic rubber. Side discs available in coloured ABS or wood finishes.



Dischetti Laterali - Side Disks



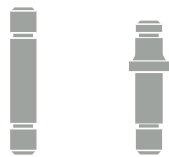
Indicazioni per il fissaggio - Fastening indications

8 MA x 15
10 MA x 15



Perno filettato
Threaded pivot

Ø10 x 36 Ø11 x 20



Innesto rapido
Quick fitting

Ø 17



Bussola
Insert

Ø 22
28
30



Bussola
Insert

47 x 47 mm



Attacco a piastra
Plate attachment