



Ruota adatta per carrelli, cassettiere, tavoli e arredamento in genere. Disponibile anche con freno a pedale. Supporto in zama o in nylon. Ruote in nylon o gomma poliuretanicca adatta a tutti i tipi di pavimentazione. Freno in nylon stabilizzato. Dischetti laterali in ABS colorati o finiture legno.

Wheel designed particularly for trolleys, filing cabinets, tables and furniture in general. Also available with a locking brake. Support made of Zamack or nylon, Twin-wheels in nylon or synthetic rubber suitable for all types of flooring. Side discs available in coloured ABS or wood or wood finishes.

DISKY2

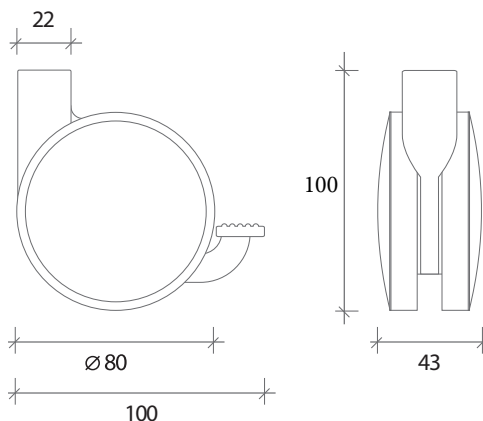
JAMES IRVINE

DISKY2

PATENT

**Portata utile zama 80 Kg.
nylon 50 Kg.**

**Capacity zama 80 Kg.
nylon 50 Kg.**



Dischetti Lateral - Side Disks



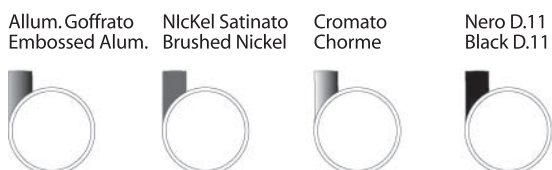
Battistrada in Nylon Nylon Tyres



Battistrada in Gomma Rubber Tyres



Supporto in Zama Zamack Supports



Supporto in Nylon Nylon Supports



Indicazioni per il fissaggio - Fastening indications

