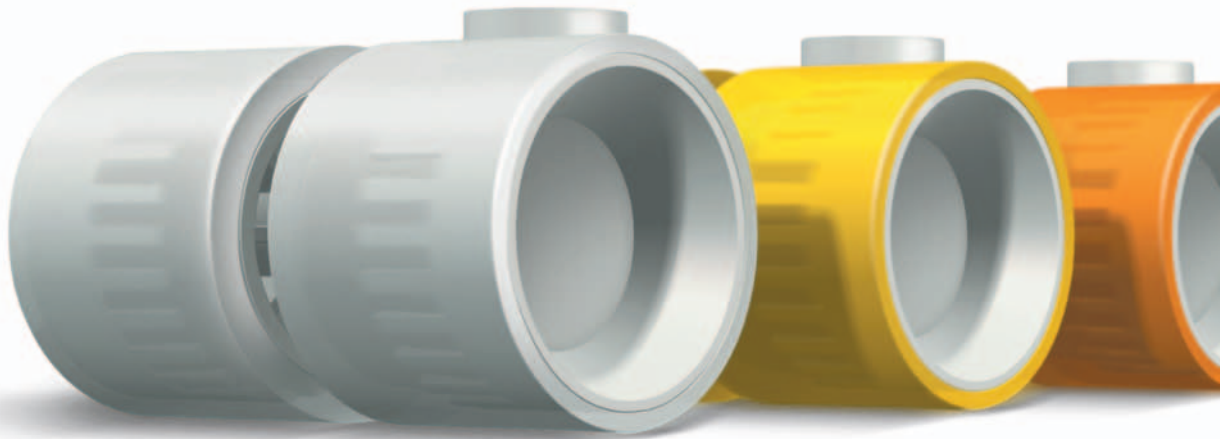
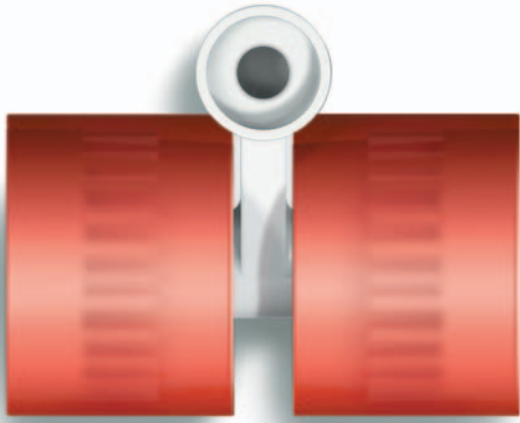




FORM
80

design: Arch. Franco Bizzozzero

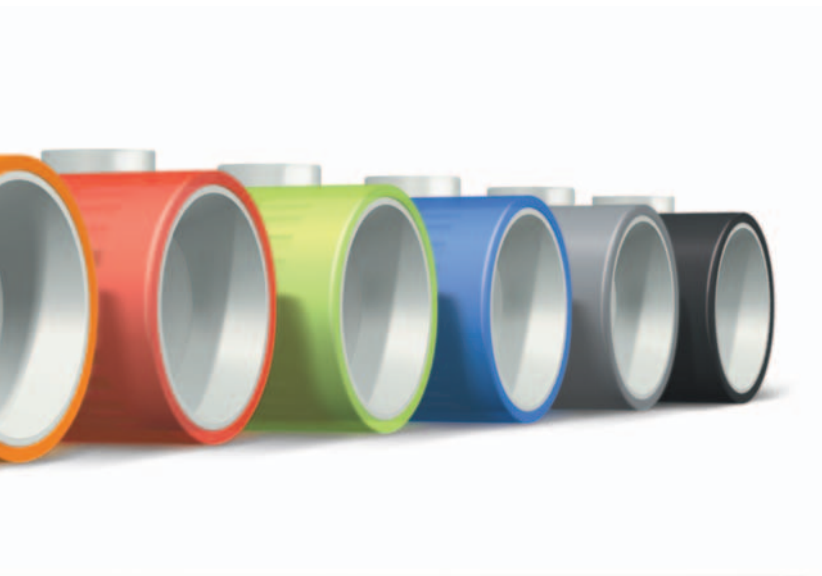
FORMULA
40



FORMULA 40

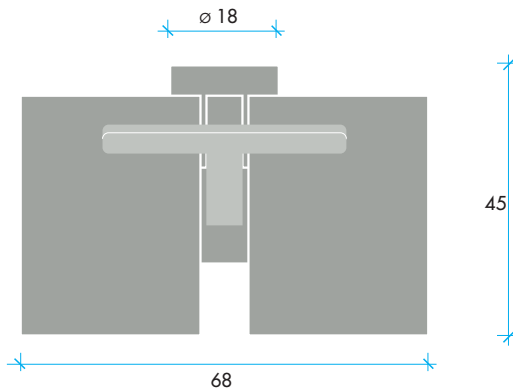
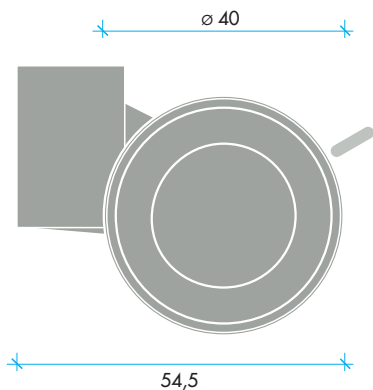


design: Arch. Franco Bizzozzero



PORTATA UTILE KG 35 CAD.

EACH WHEEL SUPPORTS KG 35.



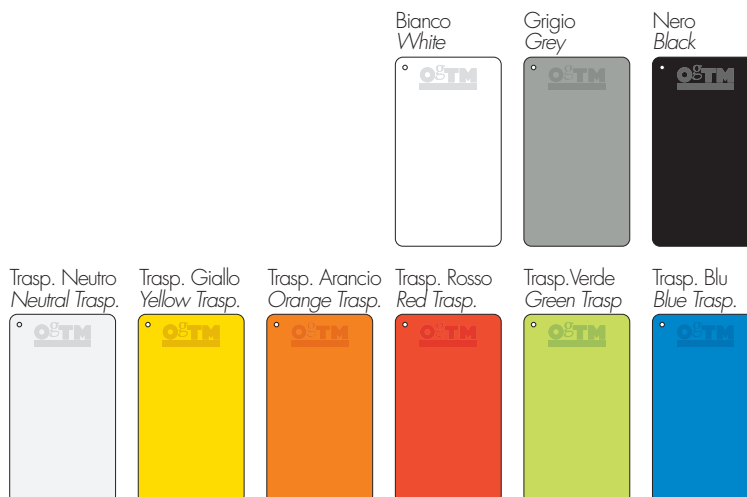
FORMULA 40

PATENT

Ruota adatta per cassettiere, mobili, complementi di arredo o sedute per abitazioni. Supporto in Nylon, battistrada in gomma opaca o trasparente.

Wheel designed for drawers, furniture, furniture accessories and chairs. Support made of Nylon, tyres in matt rubber coloured or transparent rubber. Also available with brake.

Gomme Tyres



Supporti Supports



Fissaggio Fastening

