

Ruota da incasso unidirezionale studiata per pannelli con spessori: 18-22-25-28-30mm, adatta per cassettiere, mobili, complementi di arredo o lettini.

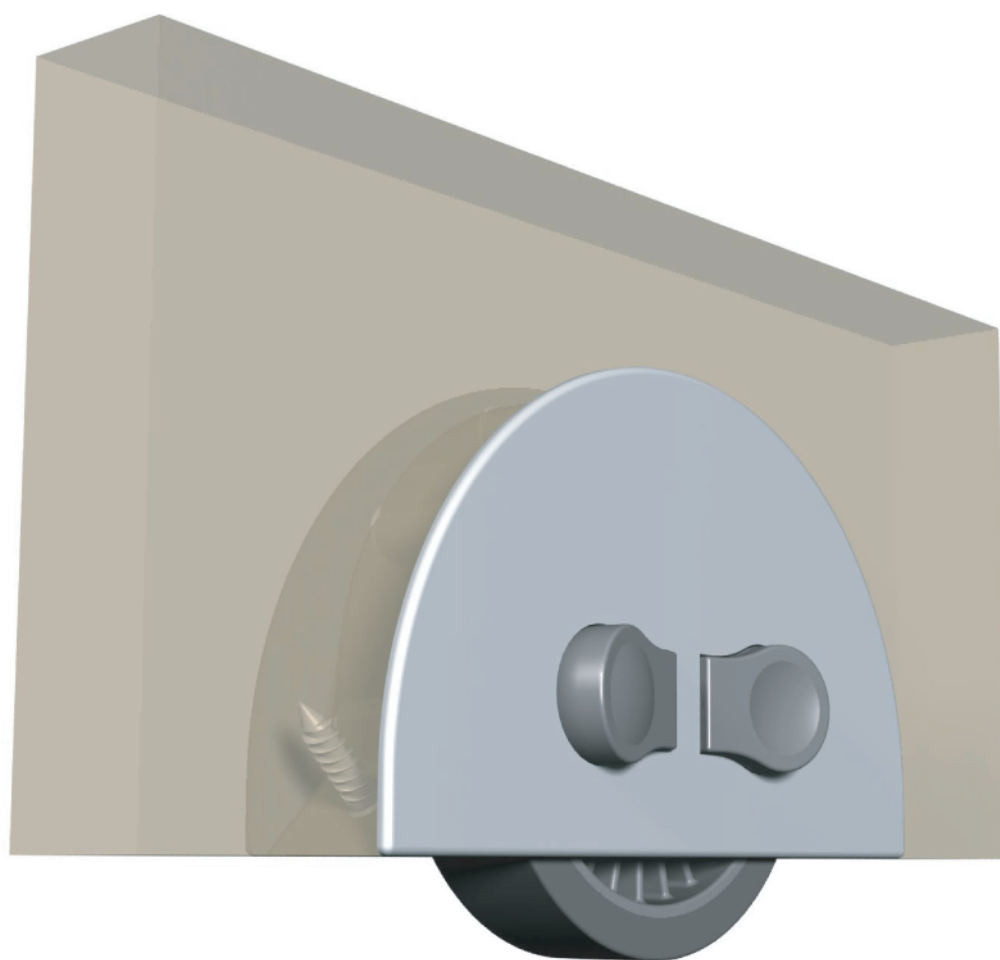
Supporto in Zama pressofuso, mozzo in Nylon fibravetro 20% ricoperto in gomma termoplastica grigia adatta a tutti i tipi di pavimenti, anche morbidi.

**Portata utile 80 Kg.**

*A single-direction wheel designed for panels with 18-22-25-28-30 mm thickness suited for chest of drawers, furniture, complements or small beds.*

*Support made by Zamak.  
Wheel Hub made by Nylon covered with grey thermoplastic tyres suited for all floorings, soft too.*

**Capacity 80 Kg.**



<sup>®</sup>  
**MITM**  
80  
**O**

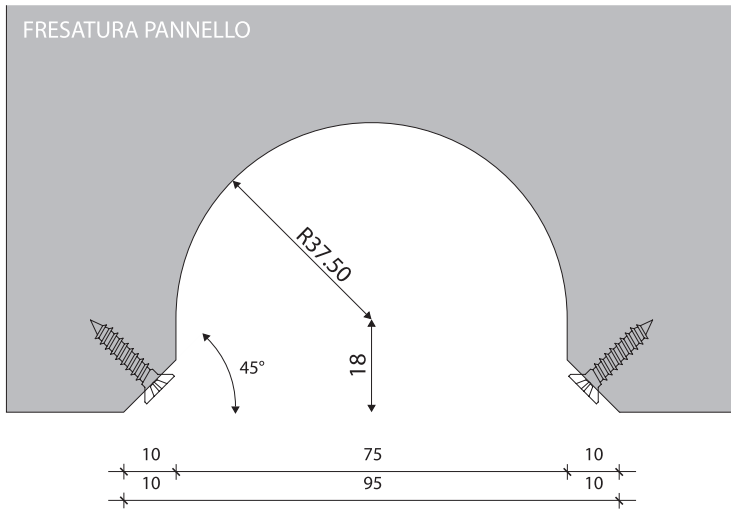
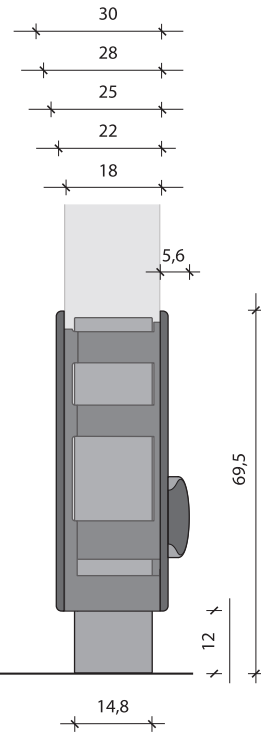
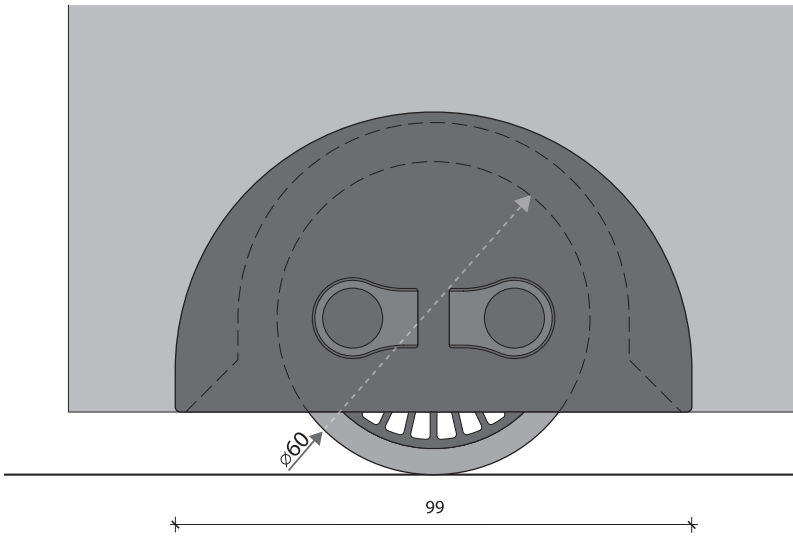
**ON-OFF**

ARCH. FRANCO BIZZOZERO

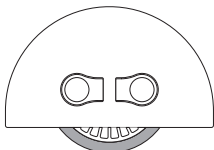
**ON-OFF**  
PATENT

**Portata utile: 80 kg**

**Capacity: 80 kg**

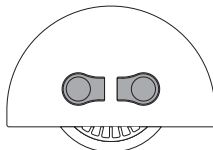


**Gomme - Tyres**



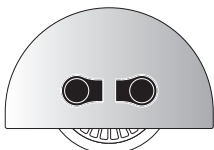
Grigio  
Grey

**Freno - Brake**

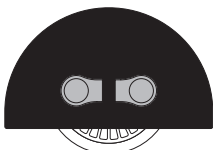


Grigio  
Grey

**Supporti - Supports**



V. Alluminio Goffrato  
P. Aluminium Embossed



V. Nero  
P. Black