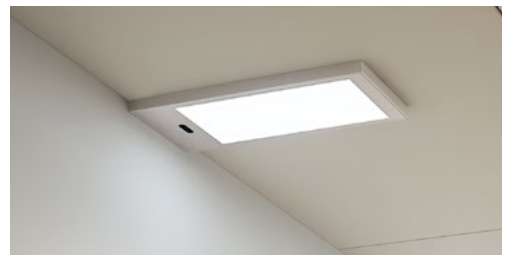
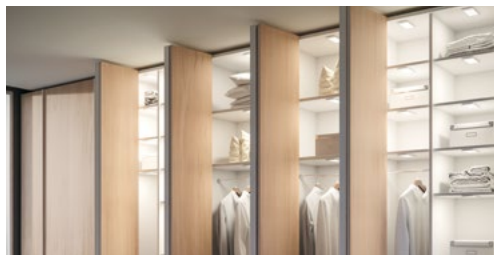




DOMUS Line®

**K-PAD**

**K-PAD IR**







## FLAT EDGE LED LUMINAIRE

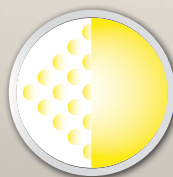
K-PAD and K-PAD IR are LED panels with a thickness of only 8mm, designed for quick installation thanks to the slide bracket supplied. The devices integrate a special EDGE LED cluster which guarantees a wide projection beam and allows homogeneous illumination of the working surface. K-PAD is configured with a dimmer switch to regulate the intensity of light. K-PAD IR integrates a infrared proximity sensor for application inside compartments.

K-PAD

K-PAD IR

## NO-DOT EFFECT LED LUMINAIRE

The device has a homogeneous and diffused light projection which is devoid of the speckled effect typical of traditional LED spotlights. K-PAD also integrates a special optic, which appears neutral and uniform even when the appliance is off.





## K-PAD

design  
DOMUS Line

**Flat EDGE LED luminaire for under cabinet lighting**

**Materials:**

thermoplastic polymers

**Finishes:**

aluminium, steel

**Light sources:**

SMD EDGE LED

**Connector:**

Micro24

**Wiring:**

2000mm

**Application type:**

under cabinet, under shelf

**Installation:**

on surface

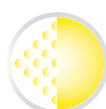
K-PAD



K-PAD SDM



K-PAD slave



NO-DOT EFFECT LED TECHNOLOGY

SCAN FOR  
MORE INFO



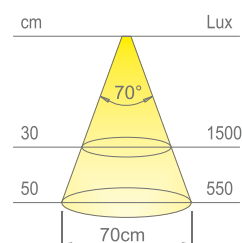
## TECHNICAL DATA

<b>Power supply</b>	24Vdc
<b>Wattage</b>	5W
<b>Wiring</b>	2000mm
<b>Connector</b>	Micro24

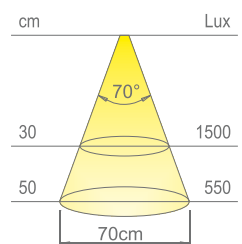


## PHOTOMETRIC DATA

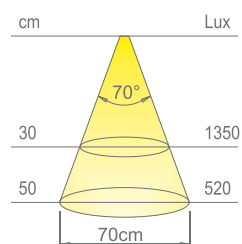
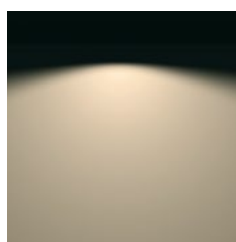
<b>Colour appearance</b>	natural white
<b>Colour temperature</b>	4000 Kelvin
<b>Luminous flux</b>	275 lm
<b>Luminous efficiency</b>	55 lm/W
<b>CRI</b>	Ra ≥80



<b>Colour appearance</b>	warm white
<b>Colour temperature</b>	3100 Kelvin
<b>Luminous flux</b>	275 lm
<b>Luminous efficiency</b>	55 lm/W
<b>CRI</b>	Ra ≥80



<b>Colour appearance</b>	super warm white
<b>Colour temperature</b>	2800 Kelvin
<b>Luminous flux</b>	265 lm
<b>Luminous efficiency</b>	53 lm/W
<b>CRI</b>	Ra ≥80



## FINISHES



STEEL



ALUMINIUM

## CONFIGURATION AND INSTALLATION

### IR dimmable electronic switch

In the SDM configuration, K-PAD integrates an infrared proximity switch that turns on, off, and adjusts the brightness of the device.



### Easy installation

K-PAD is installed on the surface and in contact with the wall with the aid of a special bracket (A). The device comes with a power cord that can be disconnected (B), which enables the easy installation of K-PAD after putting the wall unit in place. The 2000mm long cable, complete with Micro24 connector, can have a radial or axial output to the support surface.



### Set configuration

K-PAD is available in two versions: slave (without switch) and SDM (with master infrared dimmer switch). The SDM version is wired with two cables (input and output) which combines with a device that switches a certain number of K-PAD (slave version) connected to it on and off, at the same time.



K-PAD slave

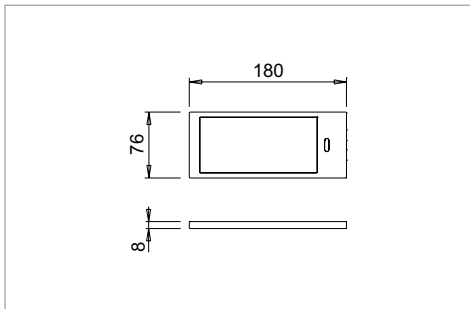


K-PAD SDM



Set K-PAD SDM 3X

**DRAWINGS AND CODES**



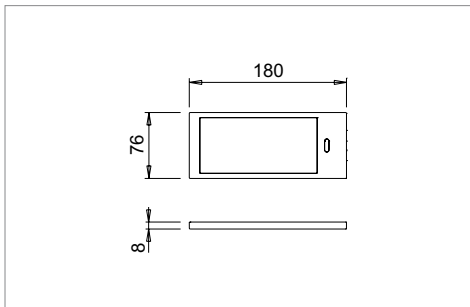
24Vdc

**K-PAD SDM**  
with master IR dimmable switch



Code	Model	Watt @ Volt	Colour temperature	Finish
1258910N/2	SDM	5W @24Vdc	natural white	aluminium
1258910B/2	SDM	5W @24Vdc	warm white	aluminium
1258910B1/2	SDM	5W @24Vdc	super warm white	aluminium
1258919N/2	SDM	5W @24Vdc	natural white	steel
1258919B/2	SDM	5W @24Vdc	warm white	steel
1258919B1/2	SDM	5W @24Vdc	super warm white	steel

**LED CONVERTER NOT INCLUDED. TO BE ORDERED SEPARATELY.**



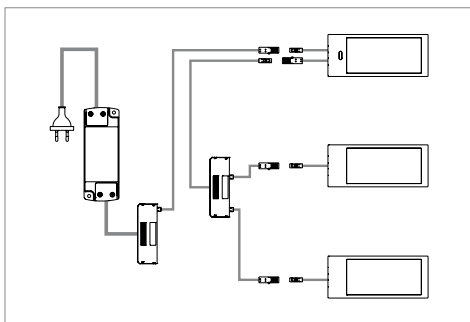
24Vdc

**K-PAD slave**  
without switch



Code	Model	Watt @ Volt	Colour temperature	Finish
1258910N/1	slave	5W @24Vdc	natural white	aluminium
1258910B/1	slave	5W @24Vdc	warm white	aluminium
1258910B1/1	slave	5W @24Vdc	super warm white	aluminium
1258919N/1	slave	5W @24Vdc	natural white	steel
1258919B/1	slave	5W @24Vdc	warm white	steel
1258919B1/1	slave	5W @24Vdc	super warm white	steel

**LED CONVERTER NOT INCLUDED. TO BE ORDERED SEPARATELY.**



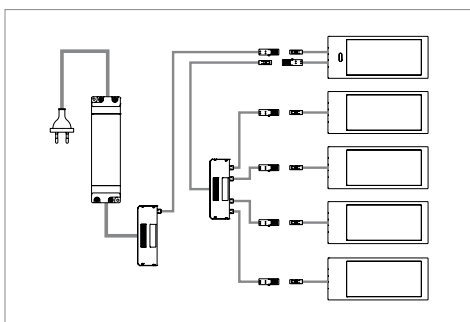
230V

**SET K-PAD SDM 3X**



Code	Model	Watt @ Volt	Colour temperature	Finish
2242210N/2	Set SDM 3X	3x5W @230Vac	natural white	aluminium
2242210B/2	Set SDM 3X	3x5W @230Vac	warm white	aluminium
2242210B1/2	Set SDM 3X	3x5W @230Vac	super warm white	aluminium
2242219N/2	Set SDM 3X	3x5W @230Vac	natural white	steel
2242219B/2	Set SDM 3X	3x5W @230Vac	warm white	steel
2242219B1/2	Set SDM 3X	3x5W @230Vac	super warm white	steel

**LED CONVERTER INCLUDED.**



230V

**SET K-PAD SDM 5X**



Code	Model	Watt @ Volt	Colour temperature	Finish
2242410N/2	Set SDM 5X	5x5W @230Vac	natural white	aluminium
2242410B/2	Set SDM 5X	5x5W @230Vac	warm white	aluminium
2242410B1/2	Set SDM 5X	5x5W @230Vac	super warm white	aluminium
2242419N/2	Set SDM 5X	5x5W @230Vac	natural white	steel
2242419B/2	Set SDM 5X	5x5W @230Vac	warm white	steel
2242419B1/2	Set SDM 5X	5x5W @230Vac	super warm white	steel

**LED CONVERTER INCLUDED.**





## K-PAD IR

design  
DOMUS Line

**Flat EDGE LED luminaire for application  
inside cabinets and wardrobes**

**Materials:**

thermoplastic polymers

**Finishes:**

aluminium, steel

**Light sources:**

SMD EDGE LED

**Connector:**

Micro24

**Wiring:**

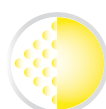
2000mm

**Application type:**

under cabinet, under shelf

**Installation:**

on surface



NO-DOT EFFECT LED TECHNOLOGY

SCAN FOR  
MORE INFO





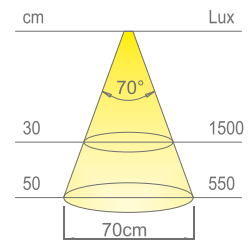
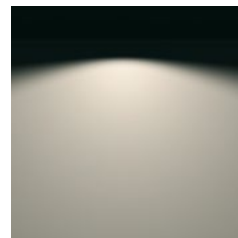
**TECHNICAL DATA**

<b>Power supply</b>	24Vdc
<b>Wattage</b>	5W
<b>Wiring</b>	2000mm
<b>Connector</b>	Micro24

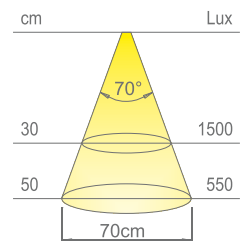


**PHOTOMETRIC DATA**

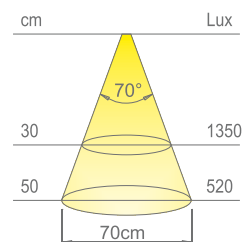
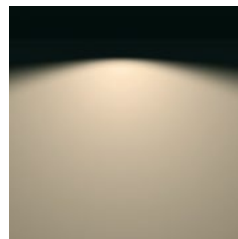
<b>Colour appearance</b>	natural white
<b>Colour temperature</b>	4000 Kelvin
<b>Luminous flux</b>	275 lm
<b>Luminous efficiency</b>	55 lm/W
<b>CRI</b>	Ra ≥80



<b>Colour appearance</b>	warm white
<b>Colour temperature</b>	3100 Kelvin
<b>Luminous flux</b>	275 lm
<b>Luminous efficiency</b>	55 lm/W
<b>CRI</b>	Ra ≥80



<b>Colour appearance</b>	super warm white
<b>Colour temperature</b>	2800 Kelvin
<b>Luminous flux</b>	265 lm
<b>Luminous efficiency</b>	53 lm/W
<b>CRI</b>	Ra ≥80



**FINISHES**



STEEL



ALUMINIUM

## CONFIGURATION AND INSTALLATION

### IR sensor

K-PAD IR integrates an infrared proximity sensor for application inside kitchen cabinets or wardrobes.

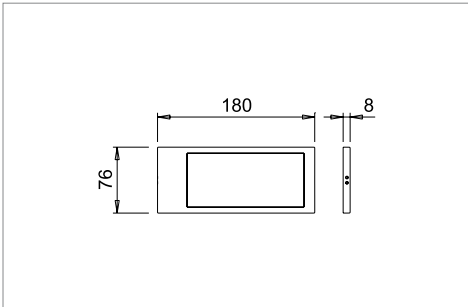


### Easy installation

K-PAD IR is installed on the surface with the aid of a special bracket (A). The device comes with a 2000mm power cord (B) complete with Micro24 connector that can have a radial or axial output to the support surface.



**DRAWINGS AND CODES**



24Vdc

**K-PAD IR**



Code	Watt @ Volt	Colour temperature	Finish
1274810N	5W @ 24Vdc	natural white	aluminium
1274810B	5W @ 24Vdc	warm white	aluminium
1274810B1	5W @ 24Vdc	super warm white	aluminium
1274819N	5W @ 24Vdc	natural white	steel
1274819B	5W @ 24Vdc	warm white	steel
1274819B1	5W @ 24Vdc	super warm white	steel

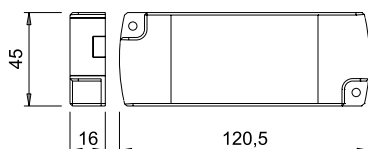
**LED CONVERTER NOT INCLUDED. TO BE ORDERED SEPARATELY.**



**FLAT 15/24D**

CE □ ⊕ SELV 🏠

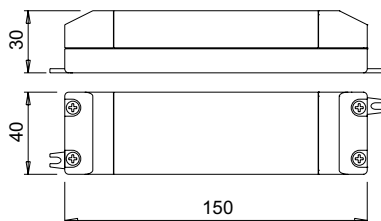
<b>Code</b>	0846701
<b>Input</b>	220 - 240Vac
<b>Output</b>	24Vdc
<b>Power</b>	15W
<b>Input wiring</b>	2000mm with europlug
<b>Output wiring</b>	500mm Micro24 distributor with 9 slot



**ST30/24D**

CE □ ⊕ SELV 🏠

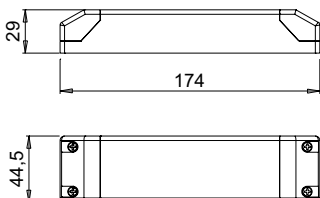
<b>Code</b>	0859101
<b>Input</b>	220 - 240Vac
<b>Output</b>	24Vdc
<b>Power</b>	30W
<b>Input wiring</b>	2000mm with europlug
<b>Output wiring</b>	500mm Micro24 distributor with 9 slot



**SL60/24D**

CE □ ⊕ SELV 🏠

<b>Code</b>	0858801
<b>Input</b>	220 - 240Vac
<b>Output</b>	24Vdc
<b>Power</b>	1-60W
<b>Input wiring</b>	2000mm with europlug
<b>Output wiring</b>	500mm Micro24 distributor with 9 slot



**Appliance classification according to degree of electric shock protection**



**Class I luminaire**

Luminaire in which protection against electric shock does not rely on basic insulation only, but which includes an additional safety precaution in such a way that means are provided for the connection of accessible conductive parts to the protective (earthing) conductor in the fixed wiring of the installation in such a way that accessible conductive parts cannot become live in the event of a failure of the basic insulation.



**Class II luminaire**

Luminaire in which protection against electric shock does not rely on basic insulation only, but in which additional safety precautions such as double insulation or reinforced insulation are provided, there being no provision for protective earthing or reliance upon installation conditions.



**Class III luminaire**

Luminaire in which protection against electric shock relies on supply at safety extra-low voltage (SELV) and in which voltages higher than those of SELV are not generated.

**Appliance classification according to degree of protection against penetration by solids and liquids**

IP44

**Protection degree IP44**

Protected against solid objects greater than 1mm. Protected against splashing water.

**Other symbols**



**Independent lamp controlgear**

Lamp controlgear consisting of one or more separate elements so designed that it can be mounted separately outside a luminaire, with protection according to the marking of the lamp controlgear and without any additional enclosure.

SELV

**Safety Extra Low Voltage**

ELV (voltage which does not exceed 50 V a.c. r.m.s. or 120 V ripple free d.c. between conductors, or between any conductor and earth voltage band I of IEC 60449 ) in a circuit which is insulated from the mains supply by an insulation not less than that between the primary and secondary circuits of a safety isolating transformer according to IEC 61558-2-6 or equivalent.



**Indoor use**

Equipment designed for indoor use only.

**Norms and directives**



**CE**

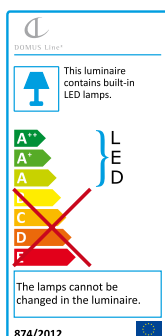
All the lighting appliances published in this catalog with the corresponding CE mark, have been designed and manufactured in compliance to the applicable European Directive (2014/30/EU, 2014/35/EU, 2011/65/EU). It guarantees the right of this product to be freely commercialized in all the states members of the European Union. DOMUS Line guarantee the compliance following the demand of the European-EN technical standard (and consequently international-IEC).



**WEEE (Waste of electric and electronic equipment)**

The product must be disposed of separately from household waste. The item should be handed for recycling centers according the local environmental rule for waste disposal. Appropriate separate collection of waste contributes to preventing negative effects on the environment and health and it encourages the reuse and/or recycling of materials. Illegal disposal entails the application of administrative sanctions provided by local law.

**NOTE: All DOMUS Line luminaires are suitable for direct mounting on normally flammable surfaces such as that of the furniture.**



Devices with non-replaceable LED module

Energy efficiency class: A++, A+, A

EU Directive 2009/125/EC and relative Regulation : No. 1194/2012/UE, No. 1428/2015/UE.

### **Warranty**

Each unit is fully guaranteed for a period of 24 months from the date of delivery. From the warranty are excluded all defects caused by force majeure (lightning, fire, etc..), as well as any damage caused by improper use of equipment. The products must be installed and/or used in accordance with the specifications and instructions given by DOMUS Line Srl. They must also be installed and/or used in compliance with the provisions governing the installation and/or use of electric material force in the country where the products are installed and/or used. To this end, the buyer expressly releases DOMUS Line Srl from any responsibility for improper use, failure to comply with safety standards, technical specifications and instructions for use. The products which do not meet the standards and/or specifications in force in the European Union, will only be provided to the buyer that in the order specifies that the destination country does not belong to the European Union and indicating to have exhausted all the controls on compatibility of safety standards in force in the country outside the EU for which they are intended. In the absence of other arrangements for testing of the equipment, the standards established by the CEI (Italian Electrotechnical Committee) are valid. The warranty is void without fail in the event of tampering with the equipment by persons or technicians not specifically authorized by DOMUS Line Srl. The warranty does not cover normal wear and tear or the consequences of improper installation, nor the failure and/or breaks caused by inexperience and/or neglect.

scan for general conditions of sale ►



### **Copyright**

© 2017 DOMUS Line®

The brand and name DOMUS Line are registered trademarks. DOMUS Line owns brand names and known and widely used logos. The brand names and logos published in this catalogue are registered or in any case subject to the laws on unregistered brand names. All reproduction or distribution by any means: photocopies, internet, microfilm or other means, total or partial, of this catalogue is forbidden without the written permission of DOMUS Line.

### **Patents**

The patented models, registered and published in this catalogue, are protected and counterfeiting will be prosecuted in accordance with the law.

### **Disclaimer**

This document is distributed as “uncontrolled” and DOMUS Line reserves the right to change the characteristics of the products to meet any technical or commercial needs, without prior notice. DOMUS Line verified the data published in this document with the utmost attention. However, because of the variables that exist between the development process and the publication of the catalogue, DOMUS Line assumes no responsibility for errors, gaps in data, inaccuracies, and so on.







DOMUS Line®

DOMUS Line srl

Via Maestri del Lavoro, 1 I-33080 Porcia (PN) Italy

P. +39 0434 595911 F. +39 0434 923345

[info@domusline.com](mailto:info@domusline.com)

[www.domusline.com](http://www.domusline.com)