



## TOUCH ME FW

TouchLed dimmable switch



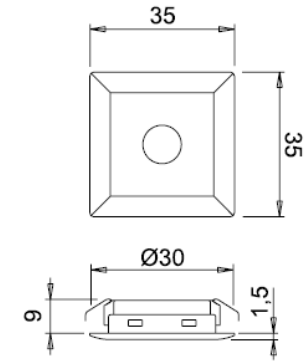
Code	Input	Output	Power	Finish
1742001	12 - 24Vdc	12 - 24Vdc	30 - 60W	white
1742010	12 - 24Vdc	12 - 24Vdc	30 - 60W	aluminium



white



aluminium



### How TOUCH ME works

The switching on and switching off of the devices connected to TOUCH ME FW takes place simply with a quick touch of the LED. With an extended touch it is possible to adjust the light intensity (dimmer function). A short flash of the device connected to TOUCH ME FW indicates having reached the maximum light. The light level will be stored until the next adjustment (level memory). TOUCH ME FW also integrates the "night-light" function which is activated only when the devices are switched off. At normal room light the LED emits a soft glow. With low or no room light TOUCH ME FW emits a brighter light. During operation of the devices, the light emitted by the TOUCH ME FW LED will be proportional to their adjustment. The "night-light" function can be disconnected or connected with a prolonged touch of 15 seconds at the end of which the disconnection of the function will be signalled by 2 short flashes or the insertion of 3 quick flashes.

TOUCH ME FW is provided with a security programme that switches off the devices connected to it after 18 hours of continuous operation.

