

Flush when closed, completely open.

Hardware for bi-folding cabinet pocket doors up to 25 kg (55 lbs.) per door.

Description

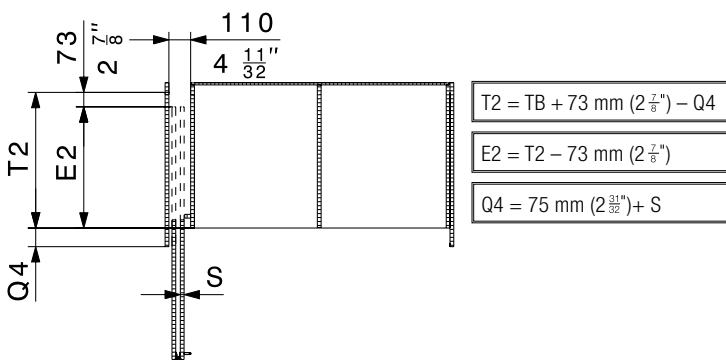
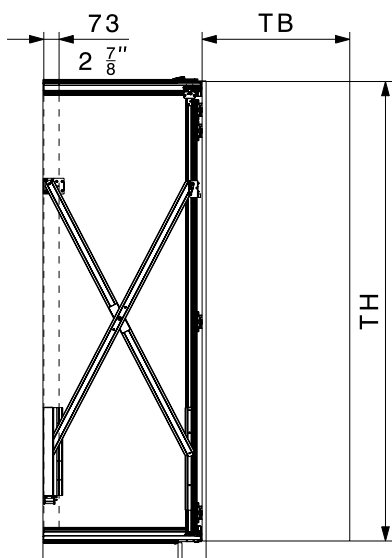
Flush cabinet fronts can be fully opened with Hawa Folding Concepta 25. Two doors can be folded and slid into furniture cabinets or wall niches at either the side. Systems with one pair of folding doors at both sides can be realized without separating walls using the optional reinforcement profile. Sets with a track length of 2120 mm also make 3-door cabinet fronts possible in combination with Hawa Concepta.

Applications

Its advantages are obvious wherever variable room utilisation and unobstructed access should leave a tidy impression, for instance in the home office in the bedroom, the kitchen in the living room, or the utility area in the bathroom.

Features of the Hawa Folding Concepta 25

- Max. door weight: 25kg (55lbs.) [per pair of panels 50kg (110lbs.)]
- Door width: 300–700 mm (11¹³/₁₆"–2'3⁹/₁₆")
- Door height: 1250–2600 mm (4'1⁷/₃₂"–8'6³/₈")
- Door thickness: 19–26 mm (³/₄"–1¹/₃₂")
- Concealed hinge with soft closing mechanism
- Flush-fitting fronts with the gap pattern that is normal in furniture construction make discreet integration into the overall appearance possible
- Harmonious, quiet movement due to playfree guidance of the upright
- Sheer elegance outside and in due to black anodized profiles
- Two-piece, four-piece and, in combination with Hawa Concepta, three-piece fronts are also possible
- The pair of folding doors can be slid in flush with the outside
- Room-high without furniture tops provides an extraordinary, spacious appearance
- All adjustments can be made from the front at any time
- LGA certificate



Calculation hardware depth

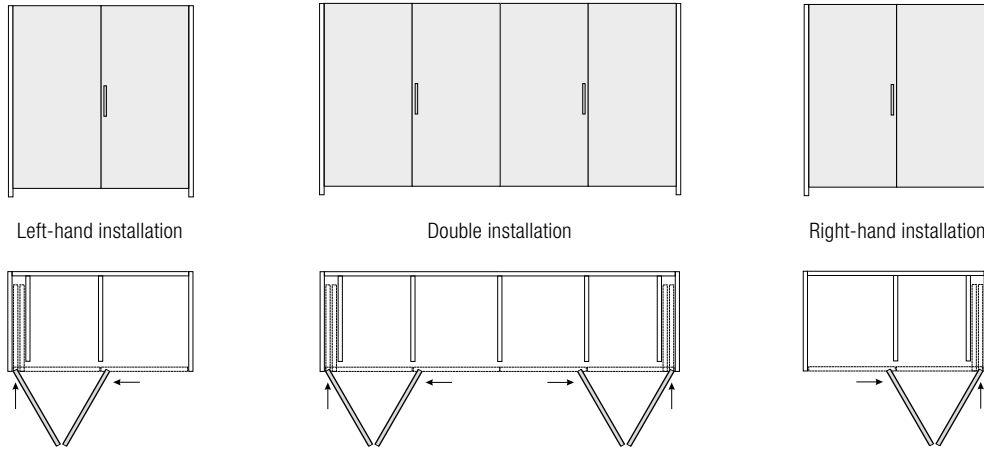
T2	TH	E2
≤ 680 mm (26'0 ³¹ / ₃₂ ")	1250–1850 mm (4'1 ⁷ / ₁₆ "–6'0 ²⁷ / ₃₂ ")	≤ 607 mm (23'0 ²⁷ / ₃₂ ")
≤ 680 mm (26'0 ³¹ / ₃₂ ")	1851–2600 mm (6'0 ⁷ / ₈ "–(8'6 ³ / ₈ ")	≤ 607 mm (23'0 ²⁷ / ₃₂ ")

Use our planning tool:
www.foldingconcepta.hawa.com

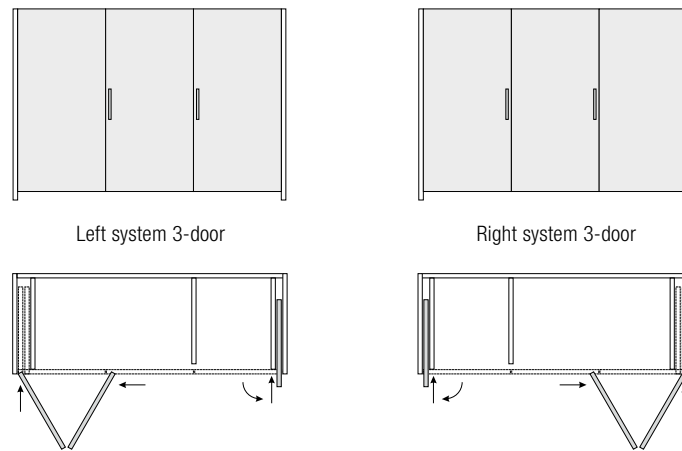
Subject to modification. Metric specifications are exact. Inches are approximate.

Design options

Different projects can be realized with different structural versions. Not only walk-in closets or niches which extend from floor to ceiling but also half-height solutions are possible from the worktop to the ceiling. The large area that can be covered is impressive. In this way, three-door fronts with an opening width of 2100 mm and 2800 mm wide fronts with two pairs of folding doors can be opened and accommodated in the depth of the furniture in combination with Hawa Concepta.



Three-piece fronts in combination with Hawa Concepta 25/30/40/50

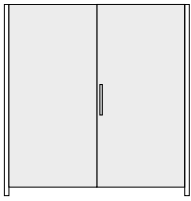


Aesthetics

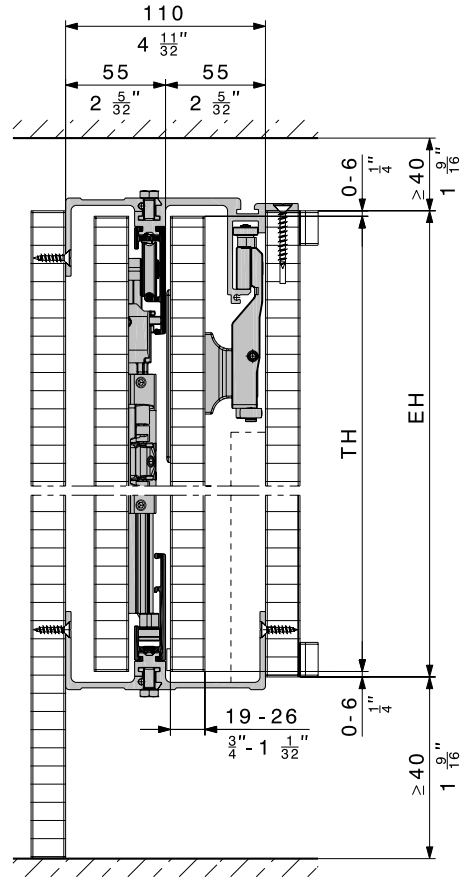
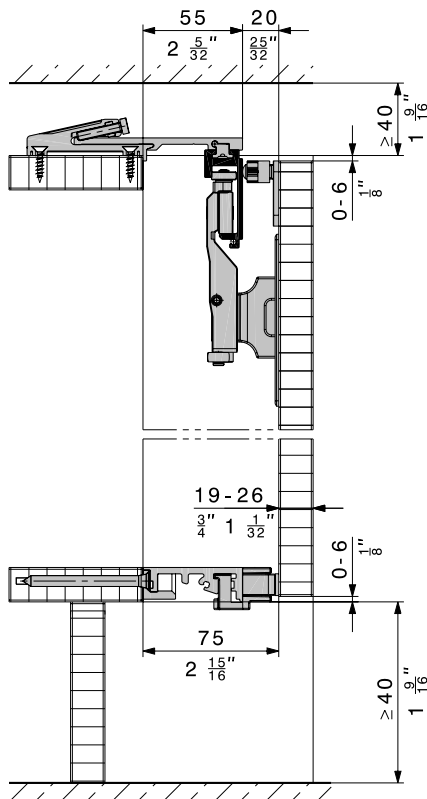
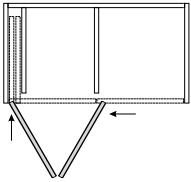
Important requirements in modern architecture such as room-high, flush-fitting and walk-in can be easily realized with Hawa Folding Concepta 25.

Sheer elegance – outside and in, made possible by the black anodized profiles. These incorporate themselves discreetly into the furniture. For more design freedom in high-quality furniture, without design compromises.

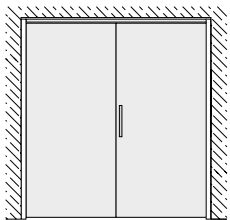
Construction with front-hung cabinet fronts



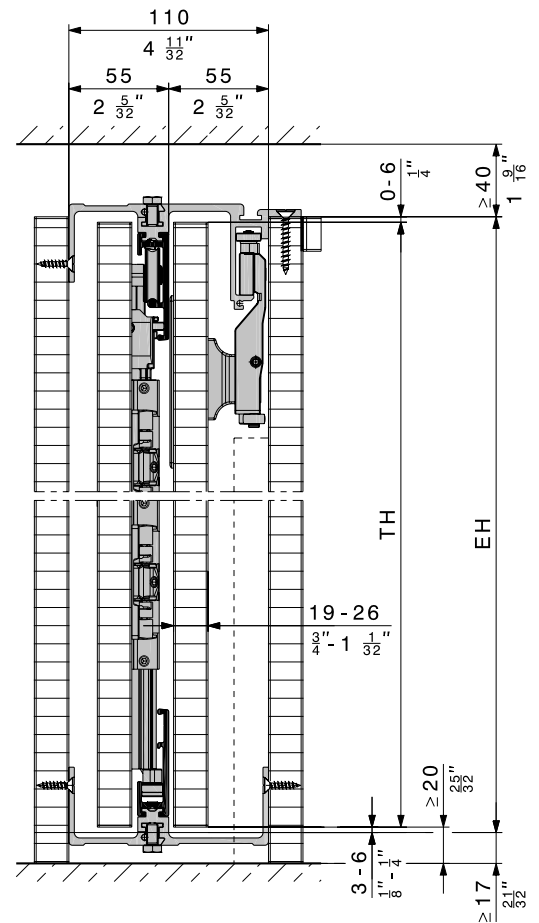
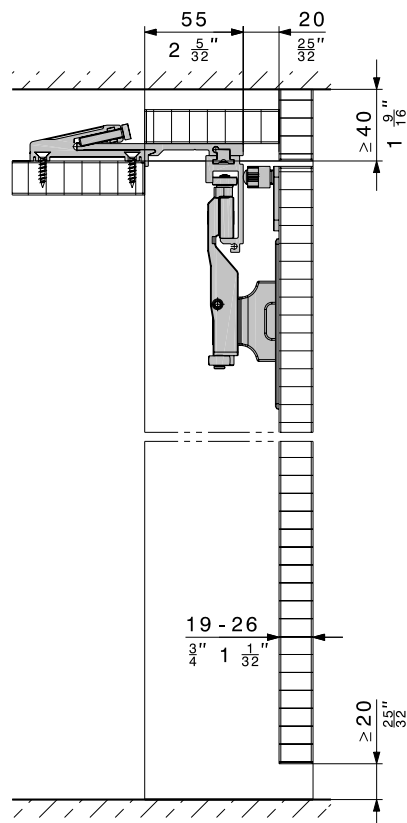
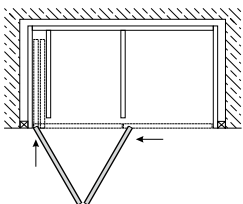
Left-hand installation



Niche cover without furniture tops

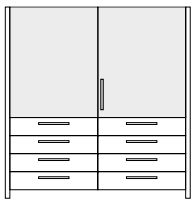


Left-hand installation

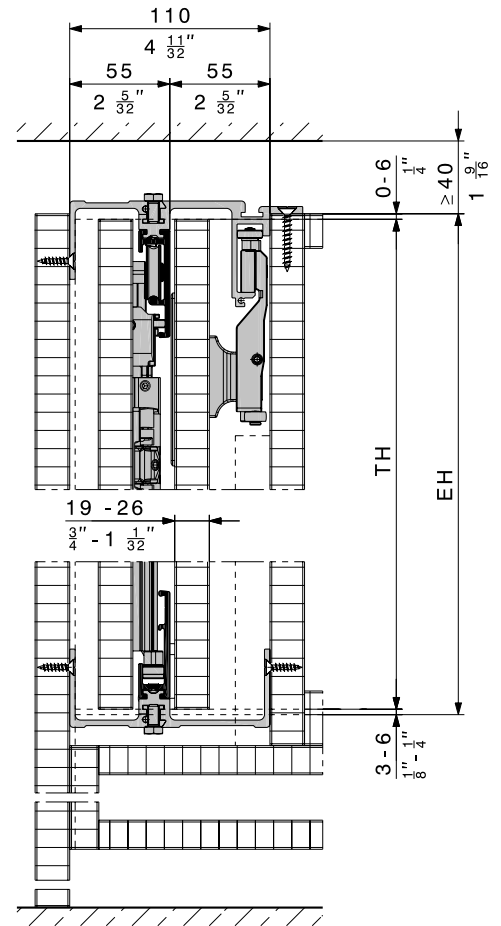
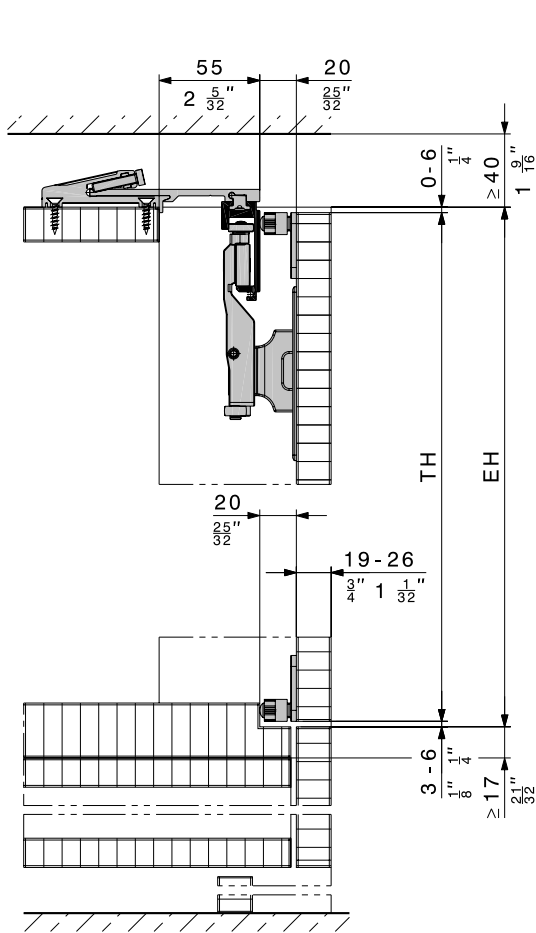
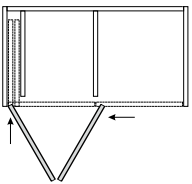


Subject to modification. Metric specifications are exact. Inches are approximate.

Doors from the worktop to the top edge of the cabinet

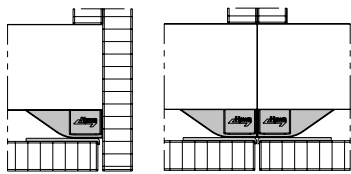


Left-hand installation

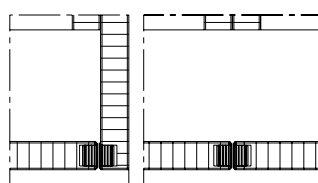


Door connection details

Hawa provides two different centring solutions so that the closed doors terminate flush beneath each other or to the outside.



Flush door positioning with base profile and liner ramp



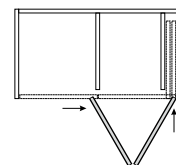
Flush door centering with magnetic centring components

Subject to modification. Metric specifications are exact. Inches are approximate.

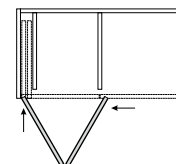
Sets, Hawa Folding Concepta 25 for one pair of folding doors

	Width	Height	Color	code
Hawa Folding Concepta 25, mounting: left	1420 mm (4'7 ³³ / ₃₂ "	1250–1850 (4'1 ⁷ / ₃₂ "–6'0 ²⁷ / ₃₂ "	alu plain anodized	27636
Hawa Folding Concepta 25, mounting: right	1420 mm (4'7 ³³ / ₃₂ "	1250–1850 (4'1 ⁷ / ₃₂ "–6'0 ²⁷ / ₃₂ "		27637
Hawa Folding Concepta 25, mounting: left	1420 mm (4'7 ³³ / ₃₂ "	1851–2600 (6'0 ⁷ / ₈ "–8'6 ³ / ₈ "		27638
Hawa Folding Concepta 25, mounting: right	1420 mm (4'7 ³³ / ₃₂ "	1851–2600 (6'0 ⁷ / ₈ "–8'6 ³ / ₈ "		27639
Hawa Folding Concepta 25, mounting: left	1420 mm (4'7 ³³ / ₃₂ "	1250–1850 (4'1 ⁷ / ₃₂ "–6'0 ²⁷ / ₃₂ "	alu black anodized	27640
Hawa Folding Concepta 25, mounting: right	1420 mm (4'7 ³³ / ₃₂ "	1250–1850 (4'1 ⁷ / ₃₂ "–6'0 ²⁷ / ₃₂ "		27641
Hawa Folding Concepta 25, mounting: left	1420 mm (4'7 ³³ / ₃₂ "	1851–2600 (6'0 ⁷ / ₈ "–8'6 ³ / ₈ "		27642
Hawa Folding Concepta 25, mounting: right	1420 mm (4'7 ³³ / ₃₂ "	1851–2600 (6'0 ⁷ / ₈ "–8'6 ³ / ₈ "		27643

Right-hand installation



Left-hand installation



Set comprising

	27636	27637	27638	27639	27640	27641	27642	27643	code
Scissor action, complete, galvanized steel, 900 mm (2'11 ⁷ / ₁₆ "	1	1	–	–	1	1	–	–	24087
Scissor action, complete, galvanized steel, 1500 mm (4'11 ¹ / ₁₆ "	–	–	1	1	–	–	1	1	22594
Two-wheeled trolley alu, height-adjustable, dull nickel-finish	1	1	1	1	1	1	1	1	24686
Single-wheeled trolley, for folding door, dull nickel finish	1	1	1	1	1	1	1	1	24054
Concealed press-fit cup, dull nickel finish	1	1	1	1	1	1	1	1	23409
Concealed hinge with soft closing mechanism, galvanized, 3 pieces	1	1	–	–	1	1	–	–	27654
Concealed hinge with soft closing mechanism, galvanized, 4 pieces	–	–	1	1	–	–	1	1	27655
Concealed centre hinge, dull nickel finish, 3 pieces	1	1	–	–	1	1	–	–	24088
Concealed centre hinge, dull nickel finish, 4 pieces	–	–	1	1	–	–	1	1	24218
Rear scissor bearing, galvanized steel, left	1	–	1	–	1	–	1	–	24117
Rear scissor bearing, galvanized steel, right	–	1	–	1	–	1	–	1	24097
Rear scissor guide, alu plain anodized	1	1	1	1	1	1	1	1	25600

	27636	27637	27638	27639	27640	27641	27642	27643	code
Front scissor guide, alu plain anodized	1	1	1	1	1	1	1	1	25592
Upright, alu plain anodized, 1800 mm (5'10 ⁷ / ₈ "	1	1	–	–	1	1	–	–	22055
Upright, alu plain anodized, 2500 mm (8'2 ⁷ / ₁₆ "	–	–	1	1	–	–	1	1	22056
Connector connecting profile, alu plain anodized, bottom left/top right, 500 mm (1'7 ¹¹ / ₁₆ "	1	1	1	1	1	1	1	1	24170
Connector connecting profile, alu plain anodized, bottom right/top left, 500 mm (1'7 ¹¹ / ₁₆ "	1	1	1	1	1	1	1	1	24171
Interior connector, alu plain anodized, bottom left, 645 mm (2'1 ¹³ / ₃₂ "	1	–	1	–	1	–	1	–	24021
Interior connector, alu plain anodized, bottom right, 645 mm (2'1 ¹³ / ₃₂ "	–	1	–	1	–	1	–	1	24022
Interior connector, alu plain anodized, top left, 645 mm (2'1 ¹³ / ₃₂ "	1	–	1	–	1	–	1	–	24107
Interior connector, alu plain anodized, top right, 645 mm (2'1 ¹³ / ₃₂ "	–	1	–	1	–	1	–	1	24108
Exterior connector, alu plain anodized, bottom left/top right, 645 mm (2'1 ¹³ / ₃₂ "	1	1	1	1	1	1	1	1	24027
Exterior connector, alu plain anodized, bottom right/top left, 645 mm (2'1 ¹³ / ₃₂ "	1	1	1	1	1	1	1	1	24028

Subject to modification. Metric specifications are exact. Inches are approximate.

		27636	27637	27638	27639	27640	27641	27642	27643	code
	Top track left, alu plain anodized, 748 mm (2'5 ³⁵ / ₃₂ ")	1	-	1	-	1	-	1	-	24744
	Top track right, alu plain anodized, 748 mm (2'5 ³⁵ / ₃₂ ")	-	1	-	1	-	1	-	1	24745
	Bottom guide channel left, alu plain anodized, 748 mm (2'5 ³⁵ / ₃₂ ")	1	-	1	-	1	-	1	-	24746
	Bottom guide channel right, alu plain anodized, 748 mm (2'5 ³⁵ / ₃₂ ")	-	1	-	1	-	1	-	1	24747
	Top track with left-hand curve, alu plain anodized, 1420 mm (4'7 ²⁹ / ₃₂ ")	1	-	1	-	-	-	-	-	24070
	Top track with right-hand curve, alu plain anodized, 1420 mm (4'7 ²⁹ / ₃₂ ")	-	1	-	1	-	-	-	-	24071
	Top track with left-hand curve piece, alu black anodized, 1420 mm (4'7 ²⁹ / ₃₂ ")	-	-	-	-	1	-	1	-	25484
	Top track with right-hand curve piece, alu black anodized, 1420 mm (4'7 ²⁹ / ₃₂ ")	-	-	-	-	1	-	1	-	25485
	Adapter for top track, plastic, anthracite-grey, 4 pieces	1	1	1	1	1	1	1	1	23645
	Brush guide, set of 3 pieces, plastic, black	1	1	1	1	1	1	1	1	25815
	Covering screen for panel clearance, alu plain anodized, 1870 mm (6'1 ⁵ / ₈ ")	1	1	-	-	-	-	-	-	23540
	Covering screen for panel clearance, alu plain anodized, 2620 mm (8'7 ⁵ / ₃₂ ")	-	-	1	1	-	-	-	-	23541
	Covering screen for panel clearance, alu black anodized, 1870 mm (6'1 ⁵ / ₈ ")	-	-	-	-	1	1	-	-	25567
	Covering screen for panel clearance, alu black anodized, 2620 mm (8'7 ⁵ / ₃₂ ")	-	-	-	-	-	-	1	1	25504

		27636	27637	27638	27639	27640	27641	27642	27643	code
	Soft closing system for end position with cover caps, plastic, black	1	1	1	1	1	1	1	1	25887
	Pivot door damper, plastic, anthracite-grey	1	1	1	1	1	1	1	1	24063
	Upright guide, with zero clearance, with plastic rollers	1	1	1	1	1	1	1	1	25656
	Stop cover cap, depth adjustable, top left / bottom right	1	1	1	1	1	1	1	1	27659
	Stop cover cap, depth adjustable, top right / bottom left	1	1	1	1	1	1	1	1	27660
	Cover plates, stainless steel, 1 pair	1	1	1	1	-	-	-	-	24739
	Cover plates, black, 1 pair	-	-	-	-	1	1	1	1	25865
	Stop bumper adjustable, plastic, anthracite-grey	1	1	1	1	1	1	1	1	23562
	Fixing parts for covering screen for panel clearance, set of 3 pieces	1	1	-	-	1	1	-	-	23990
	Fixing parts for covering screen for panel clearance, set of 4 pieces	-	-	1	1	-	-	1	1	24306
	Screw set for fitting hardware to cabinet body, 4,5 x 20 mm (⁵ / ₁₆ " x ³⁵ / ₃₂ "), 40 pieces	1	1	1	1	1	1	1	1	24032
	Screw set for concealed hinges, 4 x 16 mm, 28 pieces	1	1	1	1	1	1	1	1	25936
	Screw set for fitting hardware to cabinet body, 5 x 35 mm (⁵ / ₁₆ " x 1 ³ / ₈ "), 4 pieces	1	1	1	1	1	1	1	1	24111
	Hex key, 3 mm (¹ / ₈ "), with handle	1	1	1	1	1	1	1	1	13164

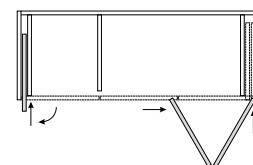
Subject to modification. Metric specifications are exact. Inches are approximate.

3-door set in combination with Hawa Concepta 25

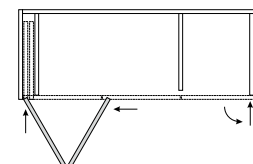
	Width	Height	Color	code
Hawa Folding Concepta 25, mounting: left	2120 mm (6'11 ¹⁵ / ₃₂ "	1851–2600 (6'0 ⁷ / ₈ "–8'6 ³ / ₈ "	alu plain	27644
Hawa Folding Concepta 25, mounting: right	2120 mm (6'11 ¹⁵ / ₃₂ "	1851–2600 (6'0 ⁷ / ₈ "–8'6 ³ / ₈ "	anodized	27645
Hawa Folding Concepta 25, mounting: left	2120 mm (6'11 ¹⁵ / ₃₂ "	1851–2600 (6'0 ⁷ / ₈ "–8'6 ³ / ₈ "	alu black	27646
Hawa Folding Concepta 25, mounting: right	2120 mm (6'11 ¹⁵ / ₃₂ "	1851–2600 (6'0 ⁷ / ₈ "–8'6 ³ / ₈ "	anodized	27647

For 3-door systems, a Hawa Concepta 30/40 or 50 set should also be.

Right-hand installation



Left-hand installation


Sets, Hawa Concepta 25/30

	mm/inch	code
Hawa Concepta 30, set for 1 door	1851–2300 (6'0 ⁷ / ₈ "–7'6 ³ / ₁₆ "	27649



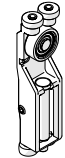
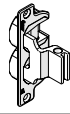
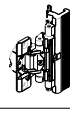
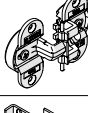
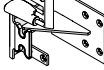
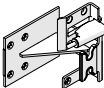
Sets contents: → page 24

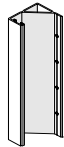

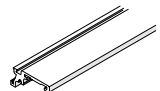
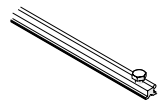
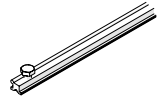
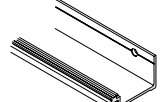
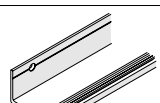
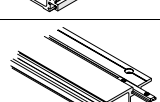
Sets, Hawa Concepta 40/50

	mm/inch	code
Hawa Concepta 40, set for 1 door	1851–2500 (6'0 ⁷ / ₈ "–8'2 ⁷ / ₁₆ "	27650
Hawa Concepta 50, set for 1 door	2301–2850 (7'6 ³ / ₃₂ "–9'4 ⁷ / ₃₂ "	27651

Sets contents: → page 25

Set comprising

		27644	27645	27646	27647	code
	Scissor action, complete, galvanized steel, 1500 mm (4'11 ¹ / ₁₆ "	1	1	1	1	22594
	Two-wheeled trolley alu, height-adjustable, dull nickel-finish	1	1	1	1	24686
	Single-wheeled trolley, with ball bearing wheels, for folding door, dull nickel finish	1	1	1	1	24054
	Concealed press-fit cup, dull nickel finish	1	1	1	1	23409
	Concealed hinge, spring-loaded, galvanized, 4 pieces	1	1	1	1	27655
	Concealed centre hinge, dull nickel finish, 4 pieces	1	1	1	1	24218
	Rear scissor bearing, galvanized steel, left	1	–	1	–	24117
	Rear scissor bearing, galvanized steel, right	–	1	–	1	24097

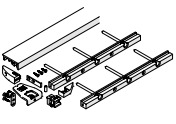
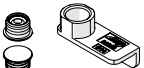
		27644	27645	27646	27647	code
	Rear scissor guide, alu plain anodized	1	1	1	1	25600
	Front scissor guide, alu plain anodized	1	1	1	1	25592
	Upright, alu plain anodized, 2500 mm (8'2 ⁷ / ₁₆ "	1	1	1	1	22056
	Connector connecting profile, alu plain anodized, bottom left/top right, 500 mm (1'7 ¹¹ / ₁₆ "	1	1	1	1	24170
	Connector connecting profile, alu plain anodized, bottom right/top left, 500 mm (1'7 ¹¹ / ₁₆ "	1	1	1	1	24171
	Interior connector, alu plain anodized, bottom left, 645 mm (2'1 ¹³ / ₃₂ "	1	–	1	–	24021
	Interior connector, alu plain anodized, bottom right, 645 mm (2'1 ¹³ / ₃₂ "	–	1	–	1	24022
	Interior connector, alu plain anodized, top left, 645 mm (2'1 ¹³ / ₃₂ "	1	–	1	–	24107

Subject to modification. Metric specifications are exact. Inches are approximate.

		27644	27645	27646	27647	code
	Interior connector, alu plain anodized, top right, 645 mm (2'1 $\frac{33}{32}$ ")	-	1	-	1	24108
	Exterior connector, alu plain anodized, bottom left/top right, 645 mm (2'1 $\frac{33}{32}$ ")	1	1	1	1	24027
	Exterior connector, alu plain anodized, bottom right/top left, 645 mm (2'1 $\frac{33}{32}$ ")	1	1	1	1	24028
	Top track left, alu plain anodized, 748 mm (2'5 $\frac{15}{32}$ ")	1	-	1	-	24744
	Top track right, alu plain anodized, 748 mm (2'5 $\frac{15}{32}$ ")	-	1	-	1	24745
	Bottom guide channel left, alu plain anodized, 748 mm (2'5 $\frac{15}{32}$ ")	1	-	1	-	24746
	Bottom guide channel right, alu plain anodized, 748 mm (2'5 $\frac{15}{32}$ ")	-	1	-	1	24747
	Top track with left-hand curve, alu plain anodized, 2120 mm (6'11 $\frac{15}{32}$ ")	1	-	-	-	24913
	Top track with right-hand curve, alu plain anodized, 2120 mm (6'11 $\frac{15}{32}$ ")	-	1	-	-	24914
	Top track with left-hand curve piece, alu black anodized, 2120 mm (6'11 $\frac{15}{32}$ ")	-	-	1	-	25486
	Top track with right-hand curve piece, alu black anodized, 2120 mm (6'11 $\frac{15}{32}$ ")	-	-	-	1	25487
	Adapter for top track, plastic, anthracite-grey, 6 pieces	1	1	1	1	24870
	Brush guide, set of 3 pieces, plastic, black	1	1	1	1	25815
	Covering screen for panel clearance, alu plain anodized, 2620 mm (8'7 $\frac{5}{32}$ ")	1	1	-	-	23541
	Covering screen for panel clearance, alu black anodized, 2620 mm (8'7 $\frac{5}{32}$ ")	-	-	1	1	25504

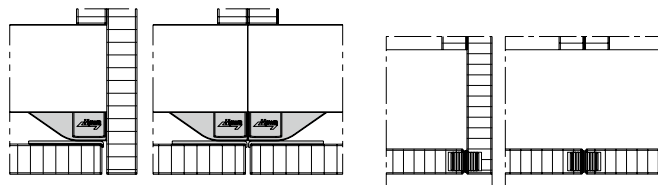
		27644	27645	27646	27647	code
	Soft closing system for end position and cover caps for scissor guide	1	1	1	1	25887
	Pivot door damper, plastic, anthracite-grey	1	1	1	1	24063
	Upright guide, with zero clearance, with plastic rollers	1	1	1	1	25656
	Stop cover cap, depth adjustable, top left/bottom right	1	1	1	1	27659
	Stop cover cap, depth adjustable, top right/bottom left	1	1	1	1	27660
	Cover plates, stainless steel, 1 pair	1	1	-	-	24739
	Cover plates, black, 1 pair	-	-	2	2	25865
	Stop bumper adjustable, plastic, anthracite-grey	2	2	2	2	23562
	Fixing parts for covering screen for panel clearance, set of 4 pieces	1	1	1	1	24306
	Screw set for fitting hardware to cabinet body, 4,5 x 20 mm ($\frac{5}{16}$ " x $\frac{35}{32}$ "), 40 pieces	1	1	1	1	24032
	Screw set for concealed hinges, 4 x 16 mm, 28 pieces	1	1	1	1	25936
	Screw set for fitting hardware to cabinet body, 5 x 35 mm ($\frac{5}{16}$ " x $1 \frac{3}{8}$ "), 4 pieces	1	1	1	1	24111
	Hex key, 3 mm ($\frac{1}{8}$ "), with handle	1	1	1	1	13164

Base profile and centering

		mm/inch	code
	Base profile complete including cover cap, leading ramp and drilling jig	alu plain anodized 1300 (4'3 ³ / ₁₆ ")	24004
		alu plain anodized 2000 (6'6 ³ / ₁₆ ")	25481
		alu black anodized 1300 (4'3 ³ / ₁₆ ")	25479
		alu black anodized 2000 (6'6 ³ / ₁₆ ")	25480
	Magnetic centering part, alu plain anodized, including drilling jig		24006

Door positioning / door centering

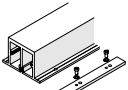
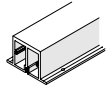
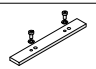
The base profile is the ideal complement to the Hawa Folding Concepta 25. The leading ramp included in the set brings the overlaying cabinet front flush into position. Doors on recess designs or walk-in cabinets without a cabinet base are centered by magnetic centering parts no. 24006.



Flush door positioning with base profile and leading ramp

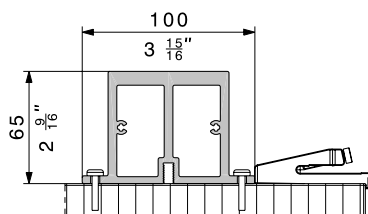
Flush door positioning with magnetic centering parts

Reinforcement profile / Connection plate

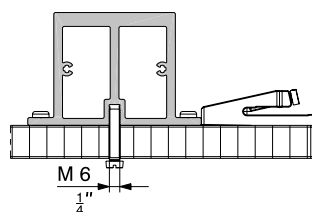
		mm/inch	code
	Reinforcement profile incl. top track connection plate, alu plain anodized, predrilled	2600 (8'6 ³ / ₈ ")	24322
	Reinforcement profile, alu plain anodized, predrilled	cut to size	24281
	Top track connection plate, alu plain anodized, predrilled		24321

Reinforcement profile / Connection plate

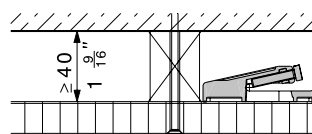
Thanks to the optionally available profile for reinforcing the cabinet top, three and four door systems without separating walls can be realized.



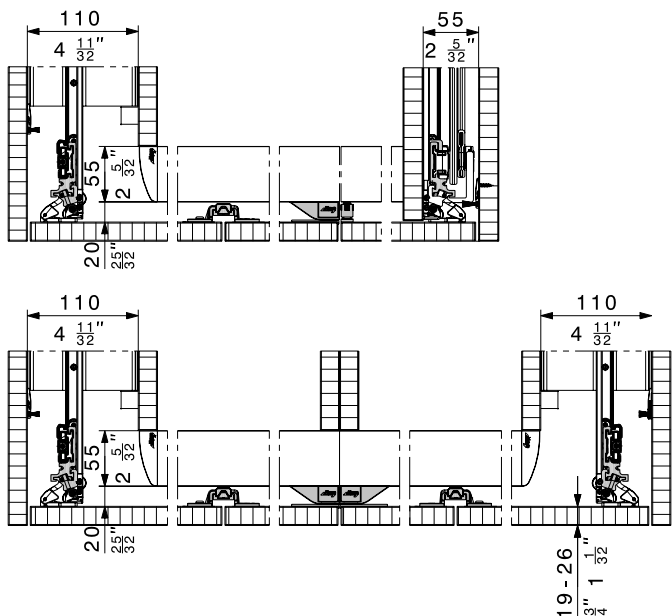
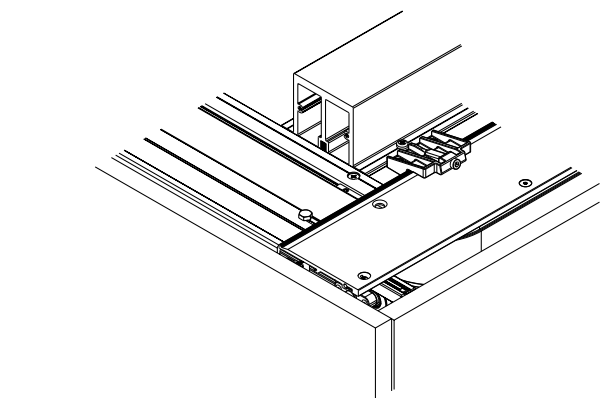
Profile, pre assembled



Profile can be fitted retro-spectively from below



Custom solution



Three-door cabinet fronts

The sets with 2120 mm long running tracks make it possible to combine Hawa Folding Concepta and Hawa Concepta. This means that nothing stands in the way of 3-door systems without separating walls.

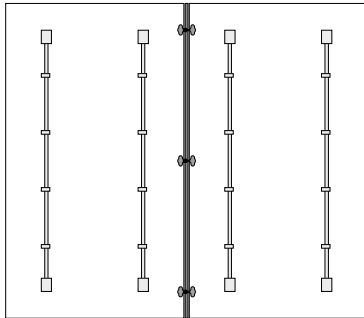
Four-door cabinet fronts

4-door cabinets without separating walls can be realized with a Hawa Folding Concepta on the left and the right. This makes opening widths of up to 2800 mm possible without separating walls.

Subject to modification. Metric specifications are exact. Inches are approximate.

Aligner

The alignment hardware makes it easy to stabilise and adjust the folding/slide-in doors. At least two hardware sets are recommended for each door and can be shortened as required.

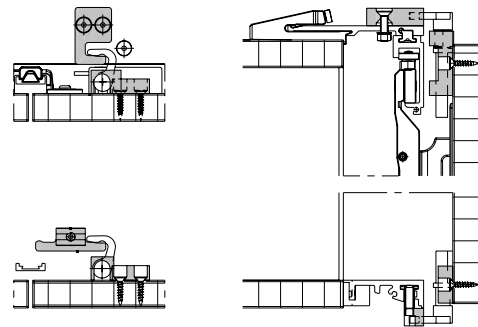


Lock catch for espagnolette lock TERZA

	<p>Lock catch and bracket for espagnolette lock TERZA, 2 pieces for 1 pair of folding doors</p>	<p>code 24005</p>
<ul style="list-style-type: none"> • For cabinet designs without a ceiling connection • Lock catch for espagnolette lock TERZA 3017 to be ordered by the building owner. (www.heusser-schloss.ch) 		

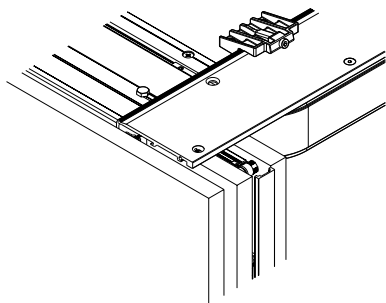
Lock catch for espagnolette lock

The lock catch from Hawa and the commercially available espagnolette lock TERZA 3017 from Heusser make cabinet fronts lockable.



Assembly simplification features

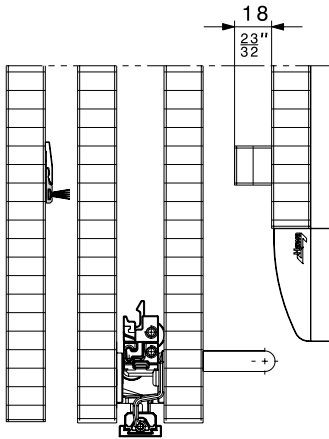
The corpus and side connection profiles included in the Hawa Folding Concepta 25 set make it easier to design cabinet bodies with overlaying cabinet fronts. The top track and base profile also make for easier installation as they are fitted to the cabinet corpus from the front. They can also be fitted retrospectively across a number of previously installed cabinet corpus.



Subject to modification. Metric specifications are exact. Inches are approximate.

Door handle / door position

Commercially available bow handles enable convenient, one handed operation of folding/slide-in doors. The folding door pair can be pushed in fully flush with the external side.



The alu profile between the bi-folded door pair discreetly conceals the strap hinges

Installation tip

The cabinet must be levelled and anchored to the building to achieve the best possible functionality and operating convenience.

Order specifications

- Type and quantity of Hawa Concepta sets
- With 3-door systems, type and quantity of Hawa Concepta sets
- Quantity of bottom profile or
- Quantity of magnetic centering part

Optional order specifications

- Quantity of reinforcement profile
- Quantity of lock catch for espagnolette lock TERZA 3017
- Quantity of aligner

Planning/installation

For planning and installation purposes, please use the installations drawing code 30184.
 (→ www.hawa.ch → Hawa Productfinder)