

Float your CPU

Computers are the driving force of all modern businesses, but they can cause problems of their own. On a desk, the CPU takes up valuable space and on the floor, it is a trip hazard, can easily be damaged and the cooling fan sucks in harmful dust particles. The Colebrook Bosson Saunders range of CPU holders stows computers underneath the desk, freeing up space and helping to prevent accidents and damage. The supporting bracketry also allows easy access to the front and back of the CPU, facilitating maintenance and hardware upgrades.



Clam



- Made from high quality aluminium
- CPU can be fixed vertically or horizontally to the underside of the desk without the need for additional brackets
- Theft deterrent lock available
- Available in two sizes – each adjustable in width and height
(CPU size min: W90 x H250, W3 1/2" x H9 3/4" - max: W240 x H560mm, W9 1/2" x H22 1/16")
- By using a slide and rotate bracket, Clam can be moved back and forth under the desk to maximise leg space, and rotated to allow easy access to cables

JAW



- Made from high quality aluminium
- Modern, elegant design ideal for high-end CPUs
- Quick and easy to install
- Height adjustable (290 - 510mm, 11 1/2" - 20 1/8")
- Strong aluminium jaw securely grips CPU in place
- By using a slide and rotate bracket, Jaw can be moved back and forth under the desk to maximise leg space, and rotated to allow easy access to cables

LOOP



- Made from precision engineering plastics
- Compact packaging dimensions make Loop easy to ship and store
- Quick and easy to install
- Adjustable in both height and width – fits most commercially available CPUs
(CPU size min: W90 x H280, W3 1/2" x H11" - max: W225 x H500mm, W8 7/8" x H9 5/8")
- CPU supported by webbing strap which is easily tightened by a ratchet mechanism
- By using a slide and rotate bracket, Loop can be moved back and forth under the desk to maximise leg space, and rotated to allow easy access to cables

ADDB



- Strong tubular steel structure
- Cost effective under desk solution
- CPU can be fixed to the underside of the desk without the need for additional brackets
- Quick and easy to install
- Height adjustable: 330 - 533mm, 13" - 21"
- Lockable castors enable movement of CPU. By using a slide and rotate bracket, ADDB can be moved back and forth under the desk to maximise leg space, and rotated to allow easy access to cables

ADDB/M



- Free standing, strong tubular steel trolley that does not need to be attached to the desk
- Cost effective under desk solution
- Quick and easy to assemble
- Width adjustable: 105 - 210mm, 4 1/8" - 8 1/4"
- Lockable castors

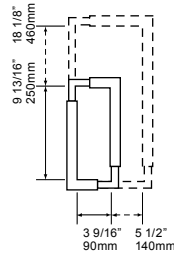
Clam



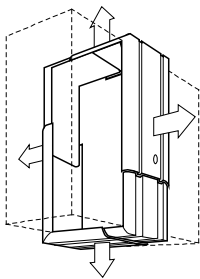
Clam is a strong and secure solution for CPUs of almost any size. Clam's reinforced aluminium frame envelops the CPU and the addition of an optional lock increases security further still. This means Clam provides peace-of-mind in areas of public access such as schools, hospitals and reception spaces.



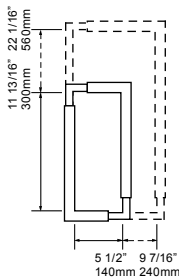
min/max CPU dimensions



code	CLAM01
colours	Silver
description	Adjustable CPU cradle (small)
weight	2.55kg, 5.62lb



min/max CPU dimensions



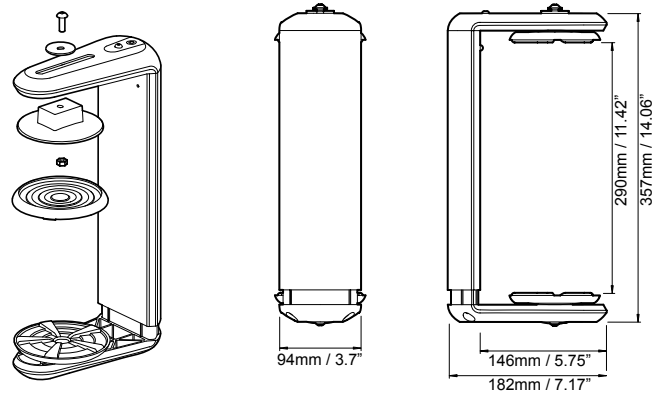
code	CLAM02
colours	Silver
description	Adjustable CPU cradle (large)
weight	3.20kg, 7.05lb

CPU Support Clam



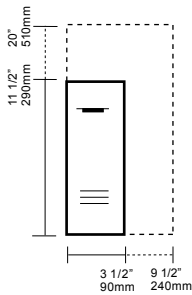


Jaw is a visually simple and elegant CPU holder that enhances the look of any workspace design. The clamping function of the aluminium body grips securely to the top and bottom of the CPU whilst giving it a sleek profile.



code	CPU/013/S
colours	Silver
description	Adjustable CPU cradle
weight	1.65kg, 3.64lb

min/max CPU dimensions

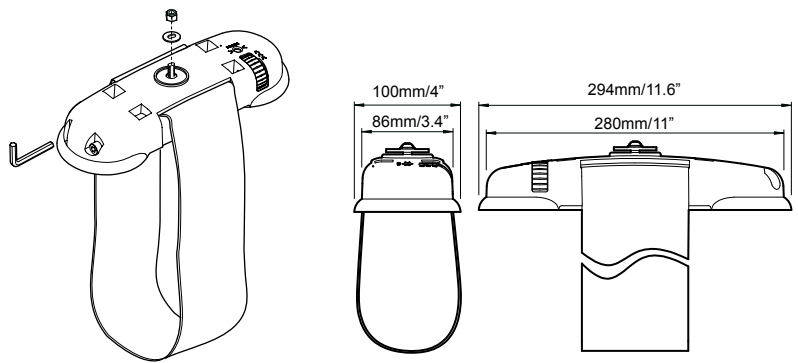


CPU Support Jaw



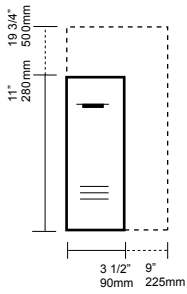


Loop, with its elegant strap and base of high quality engineering plastics is a strong yet lightweight solution for CPU storage. It comes in the smallest possible box to minimise logistics costs and packaging waste. Loop is quick and simple to install and thanks to its ratchet mechanism creates the minimum visual impact on the workspace.



code	CPU/010/B
colours	Black
description	Adjustable CPU holder
weight	1.00kg, 2.20lb

min/max CPU dimensions



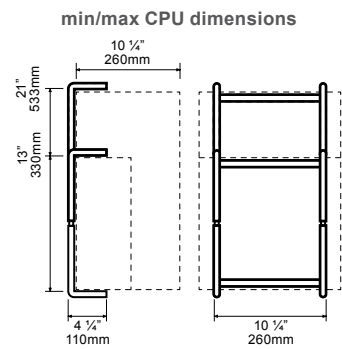
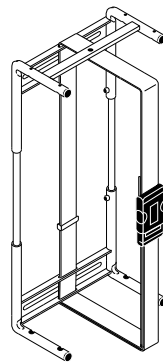
CPU Support Loop



ADDB



ADDB is a cost-effective solution for CPU storage. Formed from a strong tubular steel frame with adjustable webbed strapping, ADDB wraps around the CPU to hold it firmly in place.

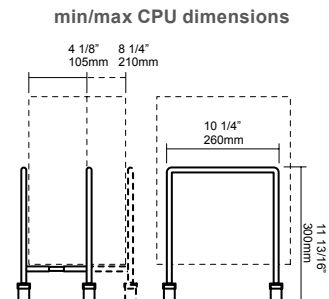
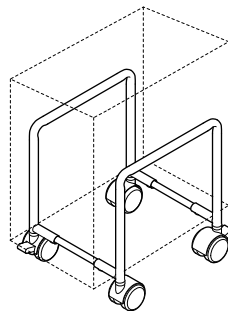


code	ADDB/TR/S
colours	Silver
description	Adjustable CPU cradle
weight	1.25kg, 2.76lb

ADDB/M



ADDB is also available as a mobile trolley unit, ADDB/M. Built on castors, ADDB/M enables CPUs to be easily moved. It is ideal for dynamic office spaces with frequent changes to seating arrangements.



code	ADDB/M/TR/S
colours	Silver
description	Adjustable CPU cradle with wheel
weight	1.30kg, 2.87lb

CPU Support ADDB & ADDB/M

