

KINVARO

D-M flap stay with pull cable



- Damped opening and gentle closing
- Opening angle adjustable via length of pull cable
- Spring force adjustment
- Can be used with shallow cabinets from 110 mm depth
- Flap weight up to 10 kg
- Flap height 200 mm – 480 mm
- Can be used on left/right
- Easy to install horizontally or vertically
- Colours White, Night and Smoke
- Colour-coordinated with Tiomos flap hinge

Note:

- Please order Tiomos flap hinges separately

APPLICATION RANGE

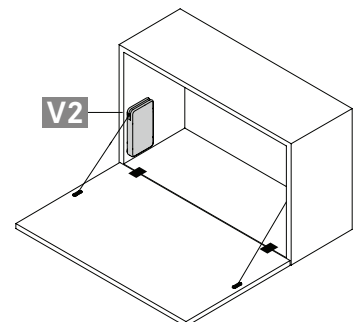
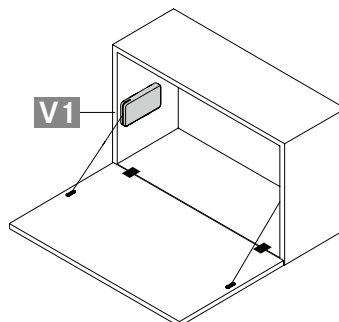
Front height (FH)	V1								V2							
	Flap weight incl. handle (kg)								Flap weight incl. handle (kg)							
	Spring 60N		Spring 100N		Spring 160N		Spring 200N		Spring 60N		Spring 100N		Spring 160N		Spring 200N	
	1 x	2 x	1 x	2 x	1 x	2 x	1 x	2 x	1 x	2 x	1 x	2 x	1 x	2 x	1 x	2 x
200-230	4.0-4.8	-	4.2-6.2	-	5.8-8.0	-	7.2-10.4	-	4.1-5.9	-	5.3-7.3	-	-	-	-	-
230-270	3.0-4.4	6.0-8.4	3.6-5.2	6.8-9.6	5.2-7.0	-	6.8-8.6	-	3.3-4.8	6.8-9.6	4.2-6.0	9.6-12.8	-	-	-	-
270-330	2.9-3.8	5.6-7.8	3.0-4.6	6.4-8.8	4.6-6.0	8.6-11.8	6.4-7.8	-	3.2-4.5	6.3-8.1	3.8-5.1	7.9-11.1	5.3-6.5	10.7-12.9	-	-
330-380	2.7-3.7	5.0-8.0	3.2-4.3	6.5-8.5	4.3-5.7	8.7-11.1	5.5-7.1	11.9-13.5	2.6-3.4	5.0-6.5	3.3-4.5	7.3-8.5	4.8-5.6	9.8-11.4	6.7-7.3	11.8-13.0
380-430	2.9-3.6	4.5-6.1	3.1-3.9	5.7-7.3	4.5-6.1	8.5-10.1	5.4-6.9	10.9-12.5	2.5-3.4	5.0-6.2	3.2-4.2	6.2-8.2	6.1-8.0	9.0-10.4	5.9-6.6	13.3-14.9
430-460	2.7-3.1	4.3-6.1	2.7-3.9	5.9-8.3	4.1-4.9	8.3-9.5	5.3-5.7	10.1-11.5	2.3-3.0	4.6-6.2	3.0-3.8	6.2-7.8	4.6-5.4	12.9-15.5	5.6-6.6	11.4-12.2
460-480	2.5-2.9	4.1-5.7	2.8-3.8	5.3-7.7	3.8-4.8	7.2-9.6	5.4-5.6	9.8-11.4	2.4-3.2	4.6-6.0	2.8-4.0	5.6-7.8	4.5-5.4	8.8-10.4	5.4-6.0	10.8-11.6

ORDER INFORMATION

Kinvaro D-M flap stay			
Designation	Spring	Colour	Art.-no.
Kinvaro D-M flap stay including front holder and fixing screws	60N	Grey	F053139661
	100N	Grey	F053139662
	160N	Grey	F053139686
	200N	Grey	F053139687

ORDER INFORMATION

Kinvaro D-M cover cap		
Designation	Colour	Art.-no.
Cover cap for Kinvaro D-M White, Night, Smoke	White	F053139668
	Night	F053139669
	Smoke	F053139670



Note:

Please order Tiomos flap hinges separately.

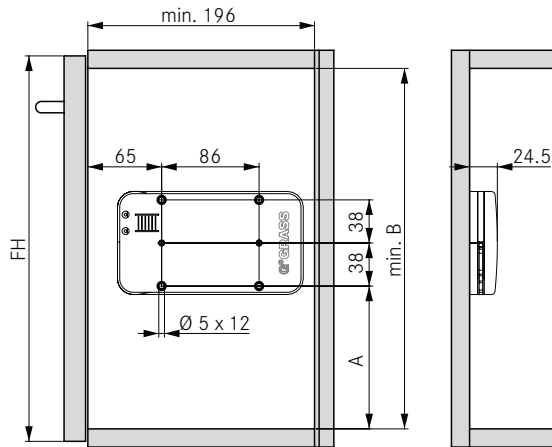
Assembly aids	50
Kinvaro D-M adjustment options	47

ASSEMBLY AND INSTALLATION INSTRUCTIONS

All dimensions in millimetres

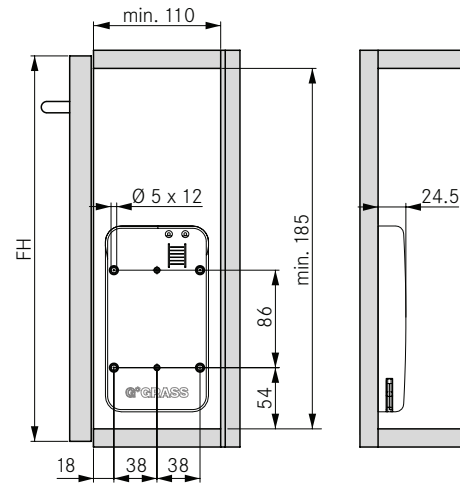
Drill position and space required

V1

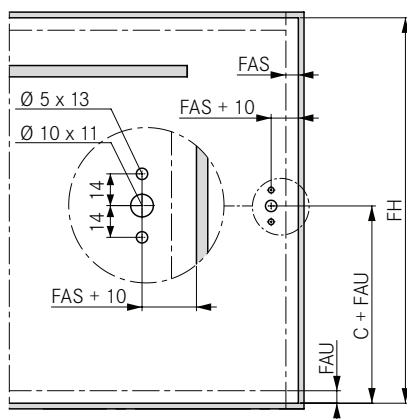


FH	A	B
200 - 330	102	194
330 - 430	126	218
430 - 480	136	228

V2



Front mounting for wooden flaps



FH	C (V1)	C (V2)
200 - 330	137	161
330 - 430	161	161
430 - 480	171	161

Minimum gap and door protrusion depend on the hinge fitted.
You can find suitable hinges in the hinge systems product catalogue.

Calculation of flap weight

Flap width x flap height x flap thickness x density ¹ + weight of handle ² = weight of flap

¹ Densities: MDF board 0.85 kg/dm³, chipboard 0.65 kg/dm³, spruce/pine 0.45 kg/dm³

² Bar handles must be entered with 0.1 kg per 100 mm of handle length. We recommend a trial fitting

LEGEND

- FAS Front overlay, side
- FAU Front overlay, bottom
- FH Front height

KINVARO

D-S flap stay with pull cable



- Damped opening
- Opening angle adjustable via length of pull cable
- Can be used with shallow cabinets from 82 mm depth
- Flap height 200 mm – 480 mm
- Can be used on left/right
- Easy to install horizontally or vertically
- Colours White and Night
- Colour-coordinated with Tiomos flap hinge

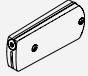
Note:

- Please order Tiomos flap hinges separately

APPLICATION RANGE

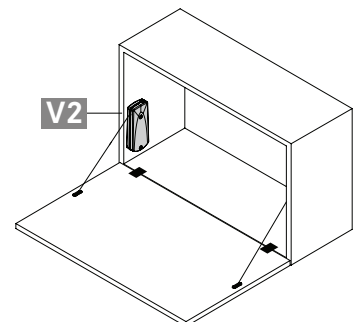
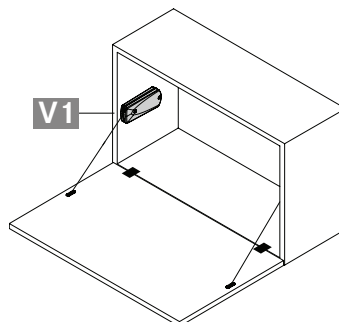
Front height (FH)	V1 + V2			
	Flap weight incl. handle (kg)			
	Spring 40N		Spring 60N	
	1 x	2 x	1 x	2 x
200 - 270	1.7 - 3.0	3.9 - 4.5	3.1 - 4.0	7.5 - 8.0
270 - 330	1.7 - 3.0	3.3 - 4.5	3.1 - 4.0	6.1 - 7.4
330 - 380	1.7 - 1.9	3.2 - 3.5	2.9 - 3.5	5.1 - 6.8
380 - 430	1.5 - 1.8	2.7 - 3.3	2.5 - 3.3	4.8 - 6.6
430 - 460	1.2 - 1.7	2.5 - 3.1	2.3 - 3.3	4.6 - 6.0
460 - 480	-	-	2.2 - 2.8	4.4 - 5.3

ORDER INFORMATION

Kinvaro D-S flap stay			
			
Designation	Spring	Colour	Art.-no.
Kinvaro D-S flap stay including front holder and fixing screws	40N	White	F053139664
		Night	F053139665
	60N	White	F053139666
		Night	F053139667

Note:

Please order Tiomos flap hinges separately.



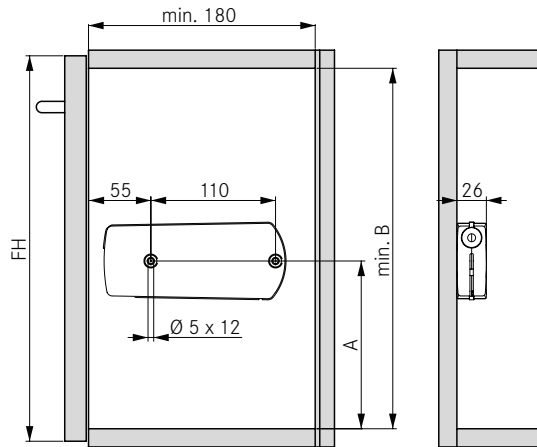
Assembly aids	50
Kinvaro D-S adjustment options	48

ASSEMBLY AND INSTALLATION INSTRUCTIONS

All dimensions in millimetres

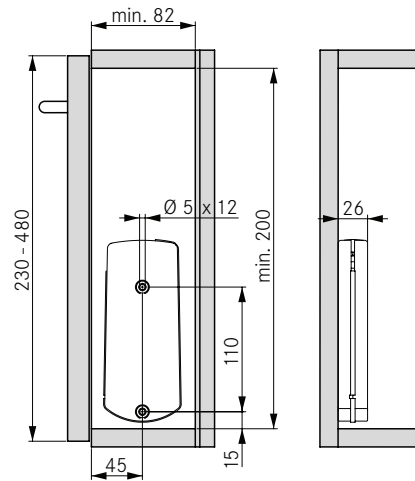
Drill position and space required

V1

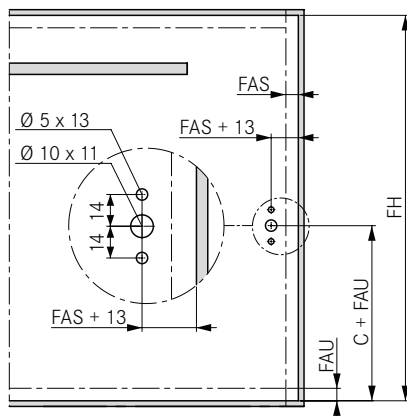


FH	A	B
200 - 270	135	173
270 - 480	148	186

V2



Front mounting for wooden flaps



FH	C (V1)	C (V2)
200 - 270	123	-
270 - 480	144	-
230 - 480	-	123

Minimum gap and door protrusion depend on the fitted hinge.

You can find suitable hinges in the hinge systems product catalogue.

Calculation of flap weight

Flap width x flap height x flap thickness x density ¹ + weight of handle ² = weight of flap

¹ Densities: MDF board 0.85 kg/dm³, chipboard 0.65 kg/dm³, spruce/pine 0.45 kg/dm³

² Bar handles must be entered with 0.1 kg per 100 mm of handle length. We recommend a trial fitting

LEGEND

- FAS Front overlay, side
- FAU Front overlay, bottom
- FH Front height