



Flo Split Desk Clamp

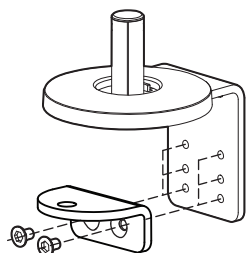
DYN/013/AS09

FOLD

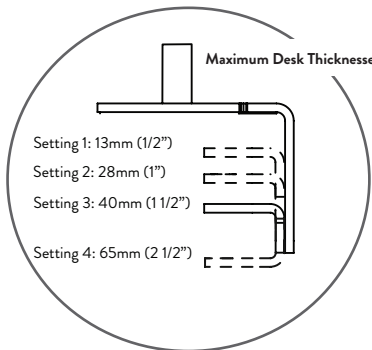
FOLD

FOLD

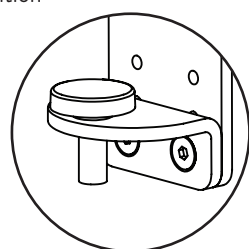
1a
Reposition clamp plate (if required) to suit worksurface thickness (for desks with screens follow step **4** first)



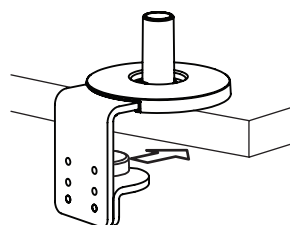
1b
Fit clamp plate to bracket using hole position to suit required desk thickness



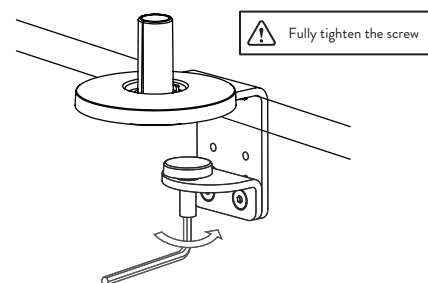
2
Fit M10 screw to clamp plate with clamp pad in position



3
Fit clamp to worksurface. Ensure back of the clamp is flush against edge of the worksurface



4
Tighten M10 clamp screw



WARNING

- Do not use this product for any purpose other than that for which it was designed
- Ensure desk/worksurface is suitable to take the weight of the arm/s and monitors
- Supported weight must not exceed the maximum load per arm
- Take care when installing as fingers could become trapped

MAINTENANCE AND INSPECTION

- Ensure all screws are tightened and occasionally adjust if needed
- Ensure arm is pushed fully down onto the clamp before installing the monitor(s)
- Clean with a damp cloth, NO solvents

DISCLAIMERS

- The use of power tools, lever bars or excessive force during the installation, or re-configuration of the product will invalidate your guarantee
- Failure to observe the recommendations in the use, and configuration of these products may affect your guarantee
- As a part of Colebrook Bosson Saunders ongoing product improvement programme the design of products may change without prior notice and details may vary from those illustrated

PATENTS

Colebrook Bosson Saunders hold a number of patents and other intellectual property rights covering our products and processes. You can find patent information on our website at: www.colebrookbossonsaunders.com/patents

Please consider leaving these instructions with the product if further installation may be required by others

DYN-013-AS09-INST-C OCT2018

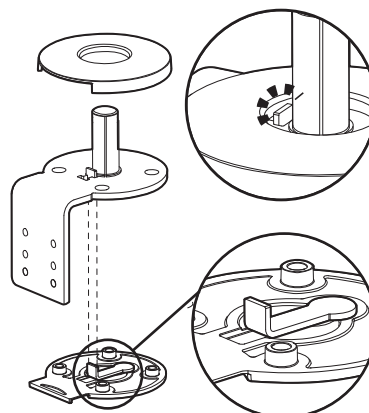
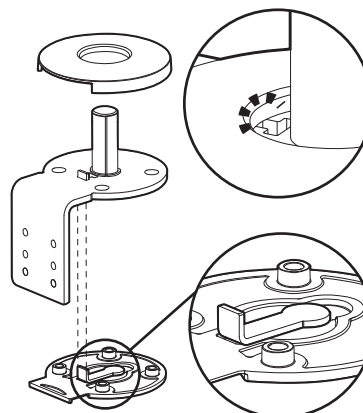
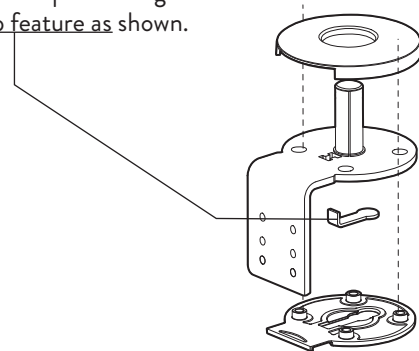


FOLD

FOLD

Reconfiguring the 180° stop function

The Flo clamp base is factory fitted with a 180° stop feature. You can permit 360° rotation by simply pulling the cover and base from the clamp and repositioning the stop feature as shown.



FOLD

FOLD

FOLD Print size - A4 297mm x 210mm