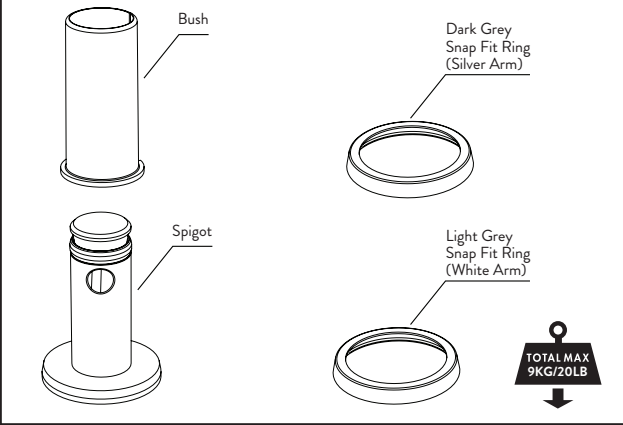




Installation Instructions for Flo through desk fixing kit

DYN/013/AS11

PARTS INCLUDED: DNY/013/AS11



REFER ALSO TO MAIN INSTRUCTIONS FOR CHOSEN MONITOR ARM

WARNING

- Do not use this product for any purpose other than that for which it was designed.
- Ensure desk/work surface is suitable to take the weight of the arm/s and monitors
- Care should be taken to avoid trapping fingers.
- Supported weight must not exceed 9Kg (20lb) per arm.

MAINTENANCE AND INSPECTION

- Ensure all screws are tightened and occasionally adjust if needed.
- Ensure arm is pushed fully down onto clamp before installing the monitor
- Clean with a damp cloth, NO solvents.

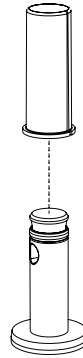
DISCLAIMER

- The use of power tools, lever bars or excessive force during the installation, or re-configuration of the product will invalidate your guarantee.
- Failure to observe the recommendations in the use, and configuration of these products may affect your guarantee.
- As part of Colebrook Bosson Saunders ongoing product improvement programme, the design of products may change without prior notice and details may vary from those illustrated.

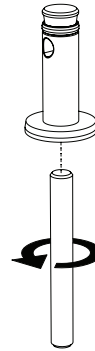
PATENTS

Colebrook Bosson Saunders hold a number of patents and other intellectual property rights covering our products and processes. You can find patent information on our website at:
www.colebrookbossonsaunders.com/patents

1 REMOVE BUSH FROM SPIGOT

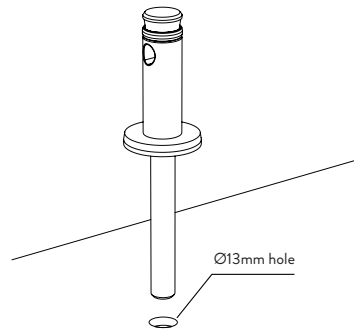


2 TIGHTEN FIXING STUD INTO SPIGOT

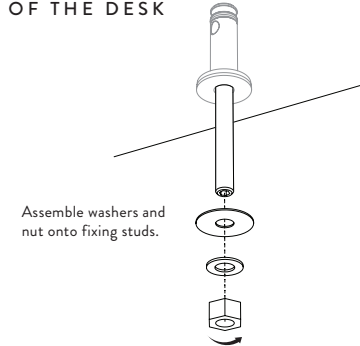


IMPORTANT NOTE
 Fixing stud WSH/100S12/K or WSH/50S12/K to be ordered separately. An alternative choice of fixing can also be used.

3 POSITION FIXING STUD AND SPIGOT THROUGH DESK HOLE



4 FULLY TIGHTEN WASHERS AND NUTS AGAINST THE UNDERSIDE OF THE DESK

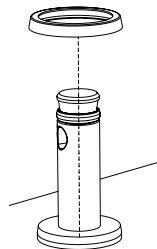


5 SECURE THE DESK FIXING

Use a screwdriver, allen key or similar tool to hold the spigot in place, whilst tightening nut under desk with spanner.

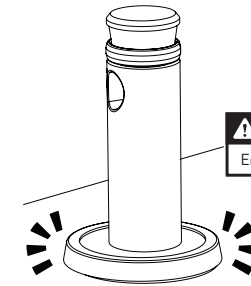
IMPORTANT NOTE
 Ensure nut is fully tightened.

6 INSTALL SNAP FIT RING SUITABLE FOR COLOUR REQUIRED



BLACK ARM - DISCARD BOTH RINGS
 WHITE ARM - INSTALL LIGHT GREY SNAP FIT RING
 SILVER ARM - INSTALL DARK GREY SNAP FIT RING

7 ENSURE CLIP IS FULLY PUSHED DOWN



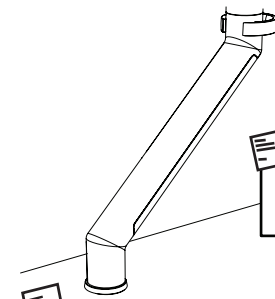
IMPORTANT NOTE
 Ensure clip is fully pushed down.

8 FIT BUSH AND MONITOR ARM



IMPORTANT NOTE
 Ensure Plastic Bush is fitted

9 INSTALL COMPLETE



Please consider leaving these instructions with the product if further installation may be required

REFER ALSO TO MONITOR ARM INSTRUCTIONS FOR FULL ARM INSTALLATION & ADJUSTMENT