

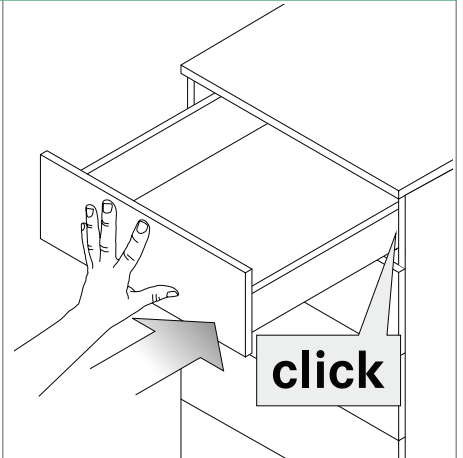
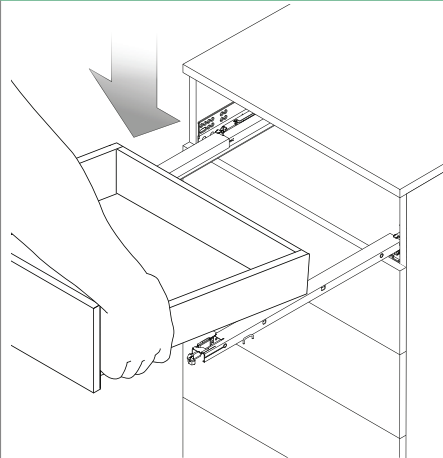
DYNAPRO

Technical information

INSTALLATION INFORMATION

Inserting the drawer

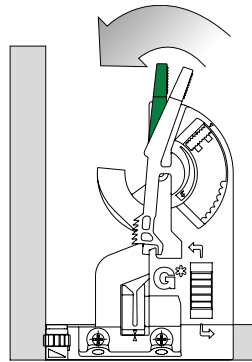
Place the drawer on the extended Dynapro slides and push in until it audibly engages.



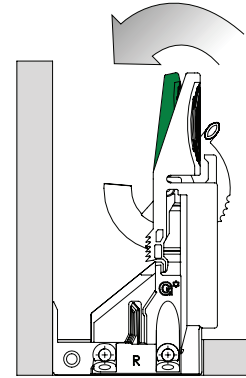
Removing the drawer

Pull out the drawer, actuate the lever of the front locking device on both sides and pull the drawer off the slide towards the front.

Dynapro 3D/4D



Dynapro 2D



NOTES

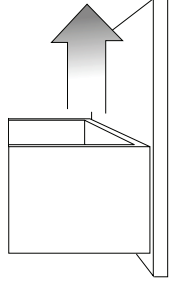
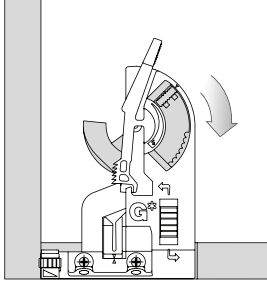
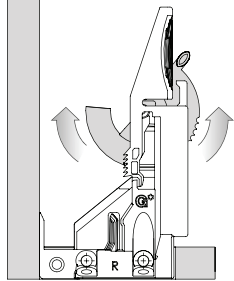
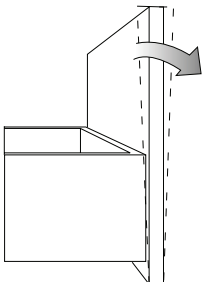

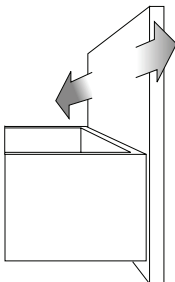
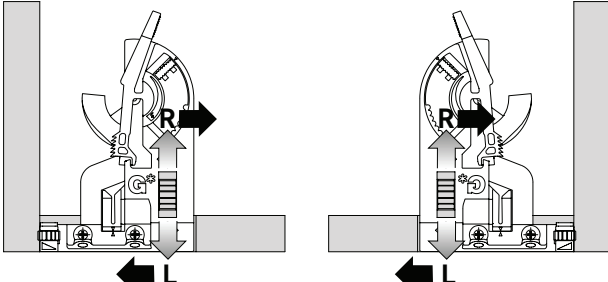
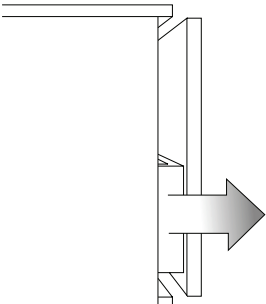
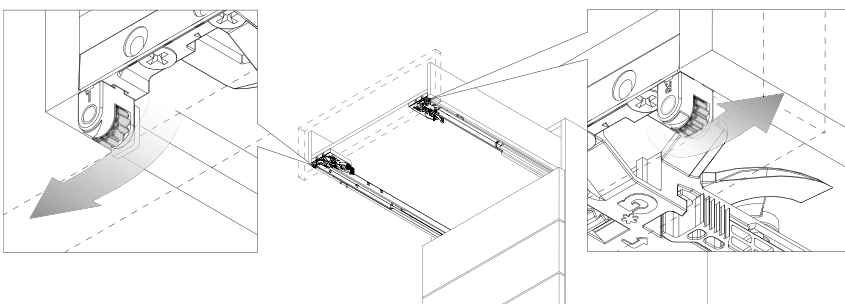
Fixing the cabinet rails:

The screw recommendations are guide values only. Screw head \varnothing 7 mm.
Assemblers must ensure that the substrate material is thick enough.

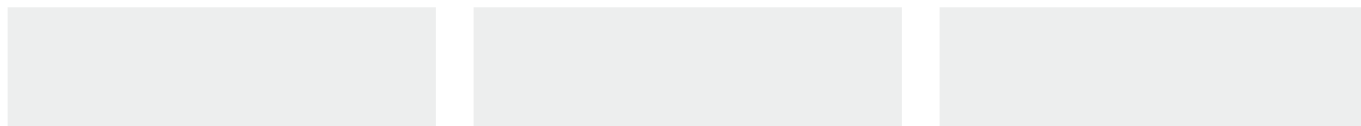
PAGE REFERENCES

Dynapro Soft-close	12	Dynapro Tipmatic	16	Assembly aids	24
Dynapro Tipmatic Soft-close	14	Pull-out shelf	18	Sensomatic	27

ADJUSTMENT

<p>Height adjustment (max. +3.5 mm)</p> 	<p>Dynapro 3D/4D</p> 	<p>Dynapro 2D</p> 
<p>Tilt angle adjustment of front (max. +4.0 mm)</p> 	<p>Dynapro 2D/3D/4D</p> 	
<p>Side adjustment (max. ±1.5 mm)</p> 	<p>Dynapro 3D/4D</p> 	
<p>Depth adjustment (max. +3.5 mm)</p> 	<p>Dynapro 4D</p> 	

LEGEND

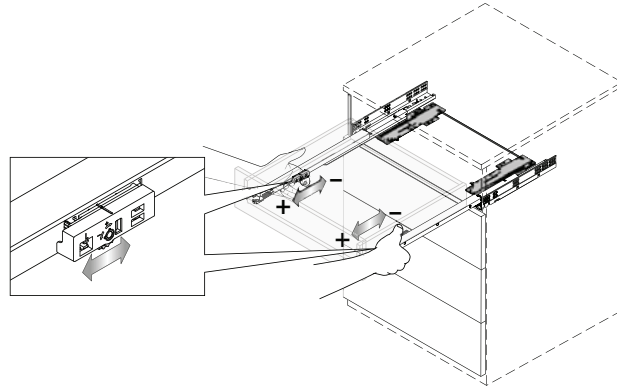
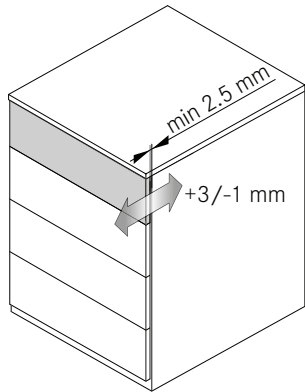


DYNAPRO

Technical information

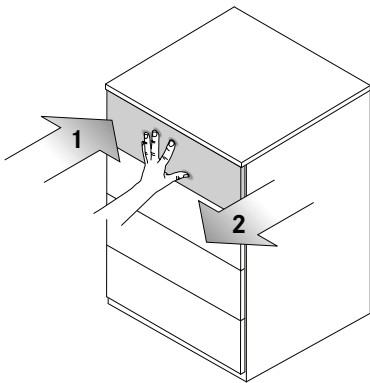
DYNAPRO TIPMATIC SOFT-CLOSE

Front gap adjustment (+3 mm / -1 mm)

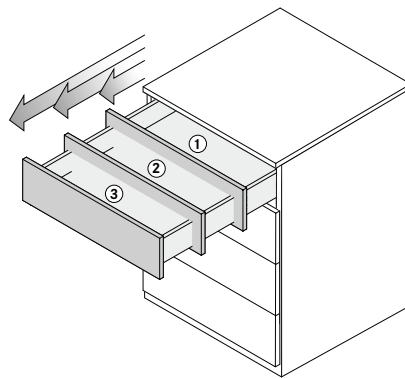


Opening force

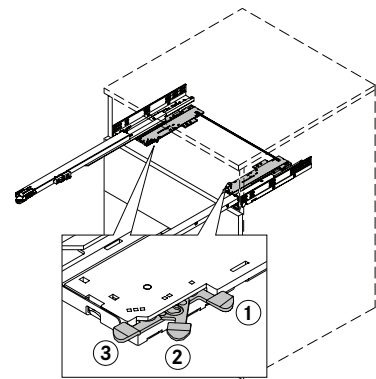
A



B



C



PAGE REFERENCES

Dynapro Soft-close	12
Dynapro Tipmatic Soft-close	14

Dynapro Tipmatic	16
Pull-out shelf	18

Assembly aids	24
Sensomatic	27