

# FULL EXTENSION SLIDE ESR-4513

**LOAD CAPACITY** 40-52 kgf

**DETACH**

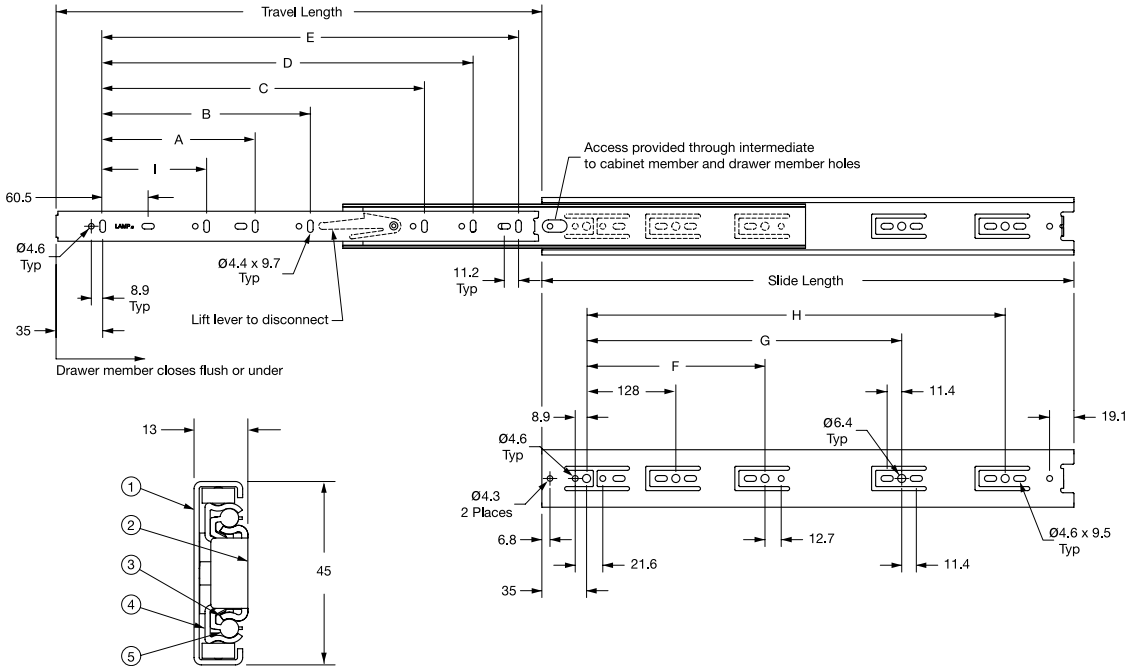
**HOLD CLOSED**

**L=R**

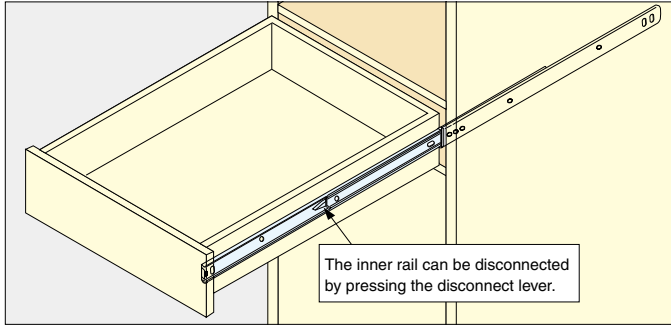
**SUS**



- Full extension.
  - Front disconnect.
  - Positive stop.
  - Hold-in detent.
  - Non-handed.
- \* Mount with M4 or #8 Binding, Pan, or Truss head screws.



**[Installation]**



No.	Part Name	Material
①	Outer Rail	Stainless Steel (304)
②	Inner Rail	
③	Retainer	
④	Intermediate Member	
⑤	Balls	

Sold in pairs.

RdHS	CAD	Item Code	Item Name	Slide Length	Travel Length	A	B	C	D	E	F	G	H	I	Load Rating (kgf/pair)	Weight (kg/pair)	Box (pairs)	Carton (pairs)
-	3D	190-118-867	ESR-4513-10	250	243					192	-				52	0.74	10	-
-	3D	190-118-868	ESR-4513-12	300	305					242					50	0.93	10	-
-	3D	190-118-869	ESR-4513-14	350	355					292					49	1.07	10	-
-	3D	190-118-870	ESR-4513-16	400	406					342		320			47	1.22	10	-
-	3D	190-118-871	ESR-4513-18	450	457					392		352			46	1.37	10	-
-	3D	190-118-872	ESR-4513-20	500	508			320		442	224	416		128	44	1.53	10	-
-	3D	190-118-873	ESR-4513-22	550	559				416	492			448		43	1.68	10	-
-	3D	190-118-874	ESR-4513-24	600	610					542			480		42	1.83	10	-
-	3D	190-118-875	ESR-4513-26	650	660	224		416		592		352			41	1.98	10	-
-	3D	190-118-876	ESR-4513-28	700	711		288		544	642			544		40	2.14	10	-