

# EVoline<sup>®</sup> FlipTop *Push*





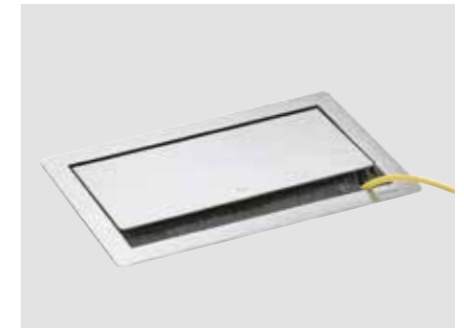
# EVoline® FlipTop Push

## Opens at the touch of a finger.

The EVoline FlipTop Push is an elegant built-in solution for all work areas that need to be supplied with power, data and multimedia connections.



*Freely configurable according to your wishes.*



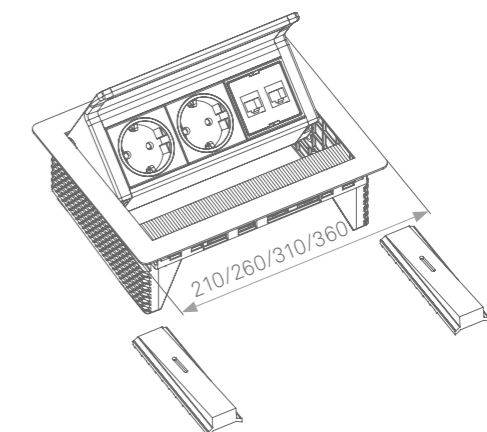
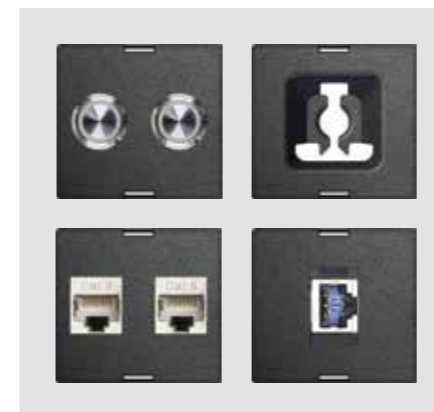
Flush mounted installation possible.

Fast mounting in panels up to 50 mm in thickness.

Practical cable routing ensures tidiness under the desk.

Adapter clip for secure WireLane connection.

Interchangeable modules can be exchanged at any time. Fast and easy mounting or dismounting.



### Available surfaces



Stainless steel: brushed



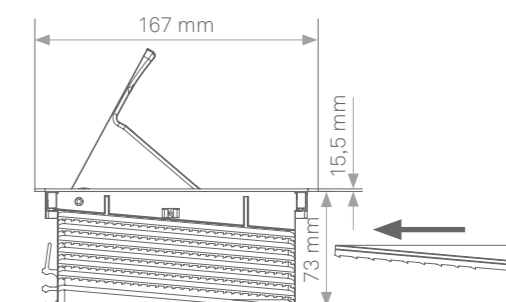
Stainless steel: matt black



Stainless steel: matt white



Stainless steel: matt grey



# EVOLine®

Schulte Elektrotechnik GmbH & Co. KG

Jüngerstraße 21  
D-58515 Lüdenscheid

phone +49 23 51 / 94 81-0  
fax +49 23 51 / 4 26 58

mail [info@schulte.com](mailto:info@schulte.com)  
internet [www.evoline.com](http://www.evoline.com)

