

KINVARO

F-20 folding flap fitting



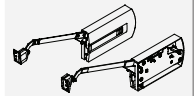
- Holds flap securely in any position
- Extremely smooth movement
- Adjustable spring force
- Integrated adjustable closing damper
- Flap with 3-dimensional adjustment – height, side, angle: Direct adjustment ± 1.5 mm
- 3-dimensional reveal height, side, depth adjustment: Direct adjustment
- Opening limiter adjustable to 90°
- Wide range of applications for many different flap materials
- Fast, tool-free clip fitting of the front
- Pre-assembled Euro screws and positioning pins for easy fixture of the fitting to the side wall
- Extremely strong
- Weight 3.8 to 19.2 kg
- Range of flaps:
Width: 400 – 1200 mm
Height: 520 – 900 mm
- Cover caps in white and grey, similar to RAL 7045

APPLICATION RANGE

Cabinet height	Guide lever	Flap weight incl. handle (kg)		
		Spring B	Spring C	Spring D
520 – 559	Type 2	4.6 – 13.8	-	-
560 – 599	Type 3	4.4 – 12.6	7.0 – 14.7	-
600 – 649	Type 4	4.1 – 12.1	6.8 – 15.8	-
650 – 699	Type 5	3.8 – 11.4	6.7 – 16.9	-
700 – 749	Type 6	-	6.5 – 16.4	10.0 – 18.0
750 – 799	Type 7	-	6.0 – 15.6	8.6 – 19.2
800 – 849	Type 7	-	-	7.8 – 18.0
850 – 900	Type 7	-	-	6.5 – 16.5

ORDER INFORMATION

Kinvaro F-20 set



Cabinet height	Cover cap white			Cover cap grey		
	Spring B	Spring C	Spring D	Spring B	Spring C	Spring D
520 – 559	F152147837	-	-	F152145237	-	-
560 – 599	F152147838	F152147841	-	F152145238	F152145239	-
600 – 649	F152147675	F152147842	-	F152145240	F152145241	-
650 – 699	F152147840	F152147843	-	F152145242	F152145243	-
700 – 749	-	F152147844	F152147846	-	F152145244	F152145245
750 – 900	-	F152147787	F152147847	-	F152145246	F152145247

Aluminium frame adapter, Kinvaro F-20 set



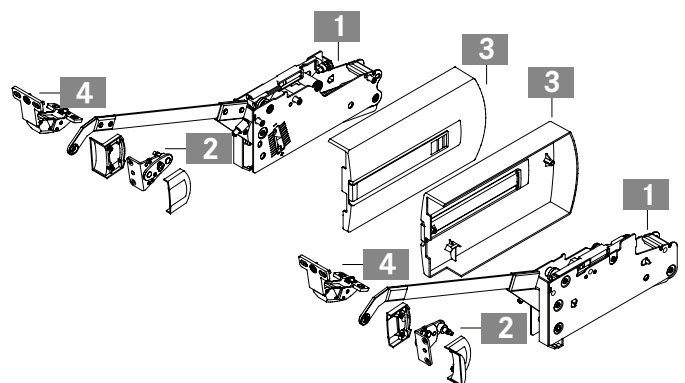
Designation	Overlay	Art.-no.
Aluminium frame adapter (2x) for narrow aluminium frames (19 mm) with fixing screws (8x)	13 – 17	F152145054

Note:

Please order separately: Tiomos 120° hinges with spring, without damper, and Tiomos mounting plates for top panel.

Kinvaro F-20 set comprises:

- 1** Fitting, right and left (1x)
 - 2** Screw-on bracket for wood, incl. cover caps (2x)
 - 3** Cover caps on right and left (1x)
 - 4** Link hinges (2x)
- Paper template (1x)
Installation instructions (1x)



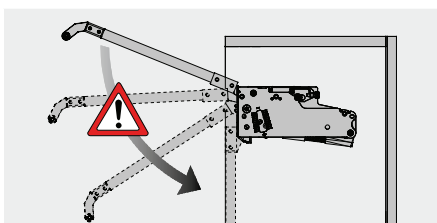
Assembly aids	50		
Kinvaro F-20 adjustment options	36		

ASSEMBLY AND INSTALLATION INSTRUCTIONS FOR CABINET HEIGHT 520 – 799

All dimensions in millimetres

Required space	Side wall drilling positions	Side wall drilling distance																																																			
		<table border="1"> <thead> <tr> <th>KH</th> <th>Type</th> <th>B</th> </tr> </thead> <tbody> <tr><td>520 – 529</td><td>2</td><td>173</td></tr> <tr><td>530 – 539</td><td>2</td><td>158</td></tr> <tr><td>540 – 549</td><td>2</td><td>143</td></tr> <tr><td>550 – 559</td><td>2</td><td>128</td></tr> <tr><td>560 – 569</td><td>3</td><td>183</td></tr> <tr><td>570 – 579</td><td>3</td><td>168</td></tr> <tr><td>580 – 589</td><td>3</td><td>153</td></tr> <tr><td>590 – 599</td><td>3</td><td>138</td></tr> <tr><td>600 – 609</td><td>4</td><td>208</td></tr> <tr><td>610 – 619</td><td>4</td><td>198</td></tr> <tr><td>620 – 629</td><td>4</td><td>178</td></tr> <tr><td>630 – 639</td><td>4</td><td>168</td></tr> <tr><td>640 – 649</td><td>4</td><td>158</td></tr> <tr><td>650 – 699</td><td>5</td><td>225</td></tr> <tr><td>700 – 749</td><td>6</td><td>235</td></tr> <tr><td>750 – 799</td><td>7</td><td>250</td></tr> </tbody> </table>	KH	Type	B	520 – 529	2	173	530 – 539	2	158	540 – 549	2	143	550 – 559	2	128	560 – 569	3	183	570 – 579	3	168	580 – 589	3	153	590 – 599	3	138	600 – 609	4	208	610 – 619	4	198	620 – 629	4	178	630 – 639	4	168	640 – 649	4	158	650 – 699	5	225	700 – 749	6	235	750 – 799	7	250
KH	Type	B																																																			
520 – 529	2	173																																																			
530 – 539	2	158																																																			
540 – 549	2	143																																																			
550 – 559	2	128																																																			
560 – 569	3	183																																																			
570 – 579	3	168																																																			
580 – 589	3	153																																																			
590 – 599	3	138																																																			
600 – 609	4	208																																																			
610 – 619	4	198																																																			
620 – 629	4	178																																																			
630 – 639	4	168																																																			
640 – 649	4	158																																																			
650 – 699	5	225																																																			
700 – 749	6	235																																																			
750 – 799	7	250																																																			
<p>Front: installation for flaps with standard aluminium frame profiles (19 mm)</p>	<p>Front: installation for wooden and frame flaps (min. 45 mm width)</p>	<p>Front: drilling distance</p>																																																			
<p>* Pre-drilling required - Ø 2 mm</p>	<p>* Pre-drilling required - Ø 2 mm</p>	<table border="1"> <thead> <tr> <th>KH</th> <th>Type</th> <th>C</th> </tr> </thead> <tbody> <tr><td>520 – 529</td><td>2</td><td>133</td></tr> <tr><td>530 – 539</td><td>2</td><td>148</td></tr> <tr><td>540 – 549</td><td>2</td><td>163</td></tr> <tr><td>550 – 559</td><td>2</td><td>178</td></tr> <tr><td>560 – 569</td><td>3</td><td>145</td></tr> <tr><td>570 – 579</td><td>3</td><td>160</td></tr> <tr><td>580 – 589</td><td>3</td><td>175</td></tr> <tr><td>590 – 599</td><td>3</td><td>190</td></tr> <tr><td>600 – 609</td><td>4</td><td>138</td></tr> <tr><td>610 – 619</td><td>4</td><td>148</td></tr> <tr><td>620 – 629</td><td>4</td><td>168</td></tr> <tr><td>630 – 639</td><td>4</td><td>178</td></tr> <tr><td>640 – 649</td><td>4</td><td>188</td></tr> <tr><td>650 – 699</td><td>5</td><td>146</td></tr> <tr><td>700 – 749</td><td>6</td><td>156</td></tr> <tr><td>750 – 799</td><td>7</td><td>166</td></tr> </tbody> </table>	KH	Type	C	520 – 529	2	133	530 – 539	2	148	540 – 549	2	163	550 – 559	2	178	560 – 569	3	145	570 – 579	3	160	580 – 589	3	175	590 – 599	3	190	600 – 609	4	138	610 – 619	4	148	620 – 629	4	168	630 – 639	4	178	640 – 649	4	188	650 – 699	5	146	700 – 749	6	156	750 – 799	7	166
KH	Type	C																																																			
520 – 529	2	133																																																			
530 – 539	2	148																																																			
540 – 549	2	163																																																			
550 – 559	2	178																																																			
560 – 569	3	145																																																			
570 – 579	3	160																																																			
580 – 589	3	175																																																			
590 – 599	3	190																																																			
600 – 609	4	138																																																			
610 – 619	4	148																																																			
620 – 629	4	168																																																			
630 – 639	4	178																																																			
640 – 649	4	188																																																			
650 – 699	5	146																																																			
700 – 749	6	156																																																			
750 – 799	7	166																																																			
	<p>Number of hinges at top panel From 900 mm cabinet width: 3 hinges. Hinges with spring require an opening angle of min. 120°</p>																																																				
<p>Calculation of flap weight Flap width x flap height x flap thickness x density ¹ + weight of handle ² = weight of flap ¹ Densities: MDF 0.85 kg/dm³, chipboard 0.65 kg/dm³, spruce/pine 0.45 kg/dm³ ² For bar handles allow 0.1 kg for each 100 mm handle width. We recommend a trial fitting</p>																																																					

WARNING



Important!
Caution - risk of injury!
Fitting is spring-tensioned!

LEGEND

B	Drilling dimension - side wall
C	Drilling dimension - front
F	Reveal
FAS	Front overlay, side
KH	Cabinet height

KINVARO

F-20 folding flap fitting

ASSEMBLY AND INSTALLATION INSTRUCTIONS FOR CABINET HEIGHT 800 – 900

All dimensions in millimetres

<p>Required space</p>	<p>Side wall drilling positions</p>	<table border="1"> <thead> <tr> <th colspan="3">Side wall drilling distance</th> </tr> <tr> <th>KH</th> <th>Type</th> <th>B</th> </tr> </thead> <tbody> <tr> <td>800 – 849</td> <td>7</td> <td>103</td> </tr> <tr> <td>850 – 900</td> <td>7</td> <td>110</td> </tr> </tbody> </table> <table border="1"> <thead> <tr> <th colspan="2">Shelf distance</th> </tr> <tr> <th>KH</th> <th>D</th> </tr> </thead> <tbody> <tr> <td>800 – 849</td> <td>≤293</td> </tr> <tr> <td>850 – 900</td> <td>≤312</td> </tr> </tbody> </table>	Side wall drilling distance			KH	Type	B	800 – 849	7	103	850 – 900	7	110	Shelf distance		KH	D	800 – 849	≤293	850 – 900	≤312
Side wall drilling distance																						
KH	Type	B																				
800 – 849	7	103																				
850 – 900	7	110																				
Shelf distance																						
KH	D																					
800 – 849	≤293																					
850 – 900	≤312																					
<p>Front: installation for flaps with standard aluminium frame profiles (19 mm)</p>	<p>Front: installation for wooden and frame flaps (min. 45 mm width)</p>	<table border="1"> <thead> <tr> <th colspan="4">Front: drilling distance</th> </tr> <tr> <th>KH</th> <th>Type</th> <th colspan="2">C</th> </tr> </thead> <tbody> <tr> <td>800 – 900</td> <td>7</td> <td colspan="2">304</td> </tr> </tbody> </table>	Front: drilling distance				KH	Type	C		800 – 900	7	304									
Front: drilling distance																						
KH	Type	C																				
800 – 900	7	304																				
		<p>Number of hinges at top panel From 900 mm cabinet width: 3 hinges. Hinges with spring require an opening angle of min. 120°</p>																				
<p>Calculation of flap weight Flap width x flap height x flap thickness x density¹ + weight of handle² = weight of flap ¹ Densities: MDF 0.85 kg/dm³, chipboard 0.65 kg/dm³, spruce/pine 0.45 kg/dm³ ² For bar handles allow 0.1 kg for each 100 mm handle width. We recommend a trial fitting</p>																						

Assembly aids	50
Kinvaro F-20 adjustment options	36