

HINGE SYSTEMS

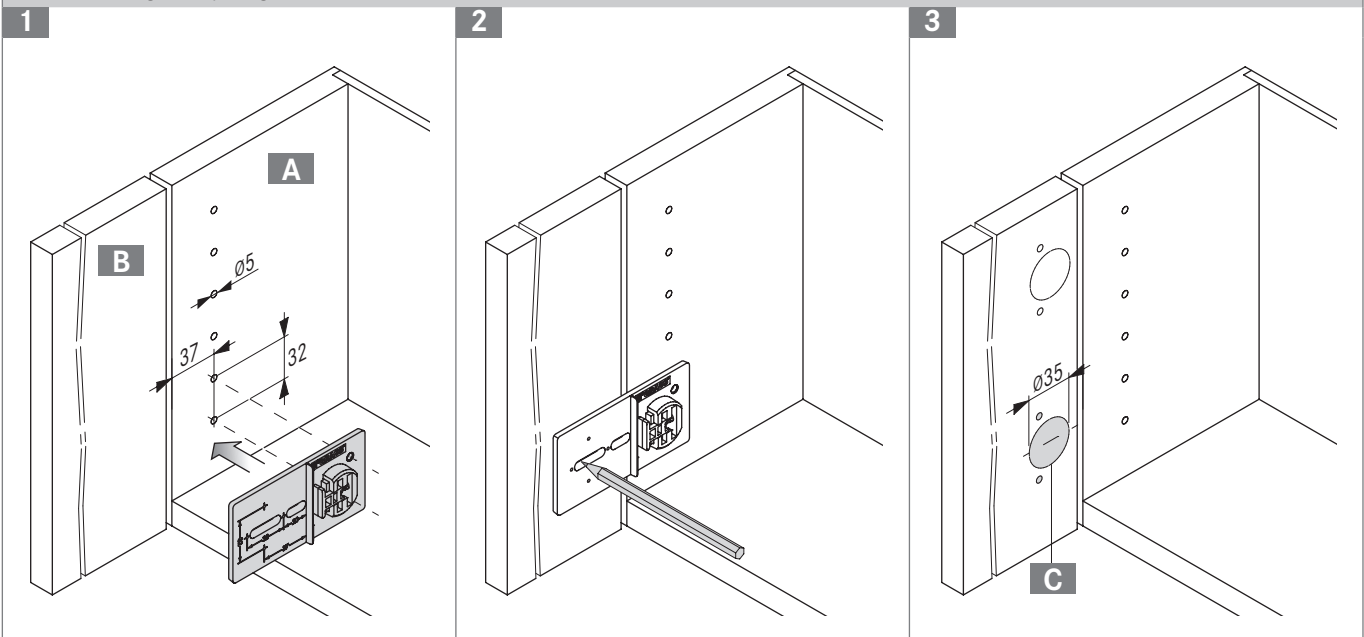
Assembly aids

ASSEMBLY INSTRUCTIONS

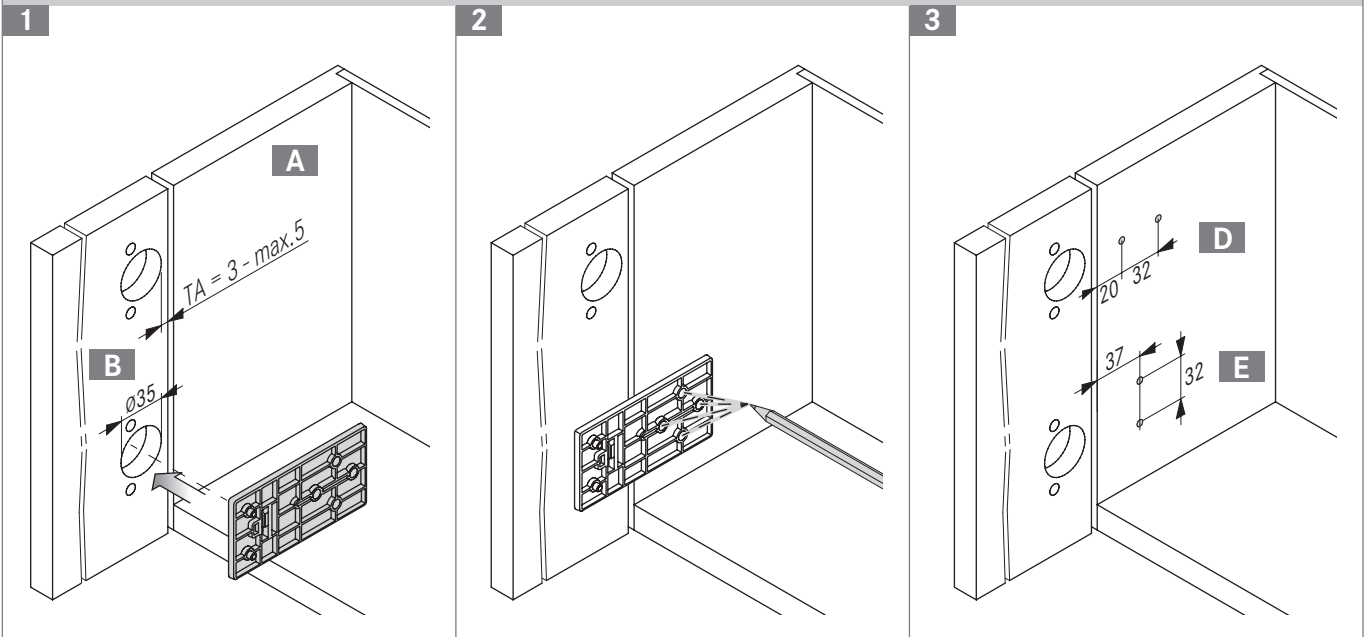
All dimensions in millimetres

Tiomos comfort marking gauge

Use with existing hole spacing 37



Use with existing cup hole



Tiomos hinge system	11
Nexis hinge system	101

Drilling and insertion machines	328
---------------------------------	-----
