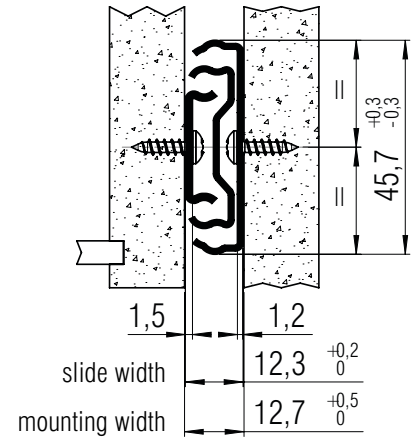
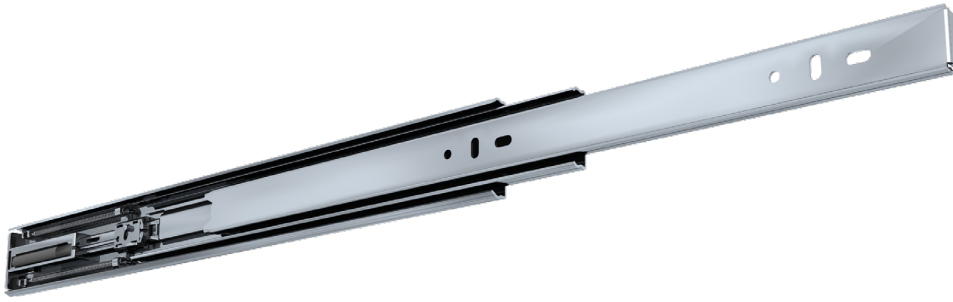


FR 5001 ECD

SLIDE TYPE:	Full-Extension Linear Ball Bearing Drawer Slide - Telescopic-Action
MOUNTING:	Side Mount

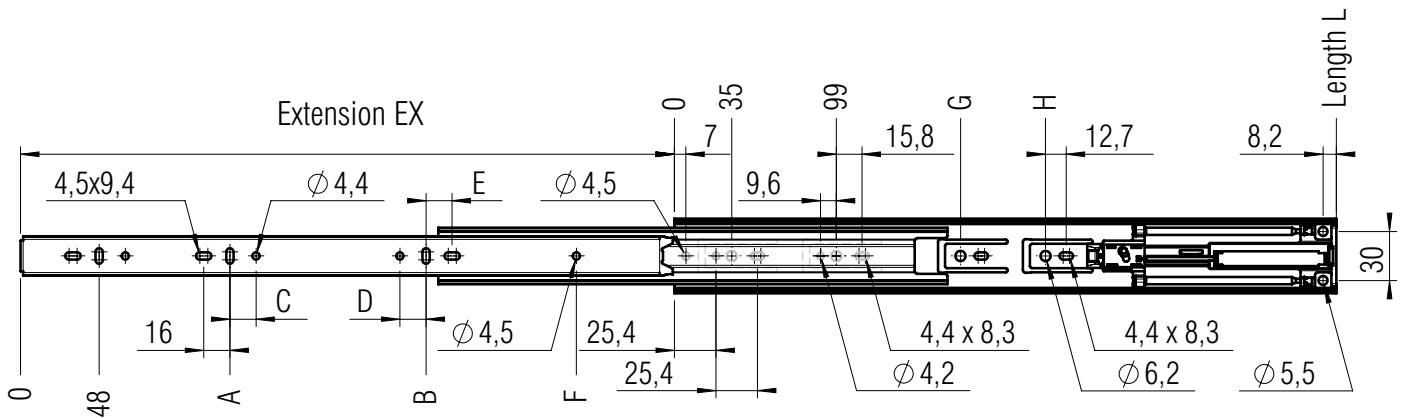
WIDTH:	12,7 mm
LOAD CAPACITY:	dynamic up to 40 kg



MATERIAL:	steel, galvanized
------------------	-------------------

FEATURES:	linear steel ball bearings
------------------	----------------------------

SPECIFICATIONS:	<ul style="list-style-type: none"> ▶ universal hole pattern 32 mm ▶ drawer removal by depressing lever in drawer profile ▶ stay-closed feature holds drawer in closed position ▶ tolerance absorbing mounting tabs ▶ Easy Close Device (ECD) integrated
------------------------	---



screw holes for 3,5 mm spax screws

L mm	EX mm	A mm	B mm	C mm	D mm	E mm	F mm	G mm	H mm	Weight (kg)	Order No. galvanized
300	245						189			0,8	▶ 5061
355	350	176						163		1,0	▶ 5062
405	400	208			16			195		1,1	▶ 5063
450	450	208			16		336	259		1,3	▶ 5064
500	500	240	368		16	16		291		1,4	▶ 5065
550	550	272	432		16	16		259	355	1,6	▶ 5066
600	600	304	464		16	16	16	259	387	1,8	▶ 5067
650	650	304	496		16	16	16	259	451	1,9	▶ 5068
700	700	336	560		16	16	16	259	483	2,1	▶ 5069

Packing Unit: 10 sets per box

▶ prompt delivery