

NOVA PRO CHILD LOCK



- Concealed assembly prevents child from copying drawer operation
- Unhindered use of storage space in the drawer
- No damage to the front and cabinet
- Can also be retrofitted
- Tool-free deactivation if necessary
- Can be used with all Nova Pro add-on systems – as it mounted underneath the drawer

Technical information

- Can only be used with Nova Pro with liquid damper
- Cannot be used in combination with Tipmatic Soft-close

ORDER INFORMATION

Description	Item No.	PU
Nova Pro child lock	F102108857	523

Packaging unit (PU):

523 = 100 items in PE in a cardboard box

INSTALLATION

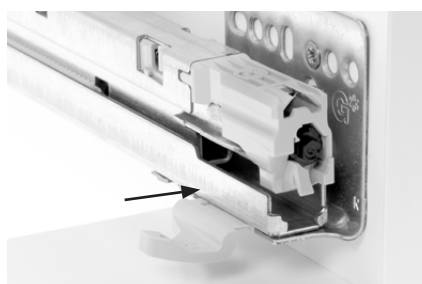
Note: the child lock is fitted on the right of the drawer base!

1. Assembly of the stop on the cabinet member

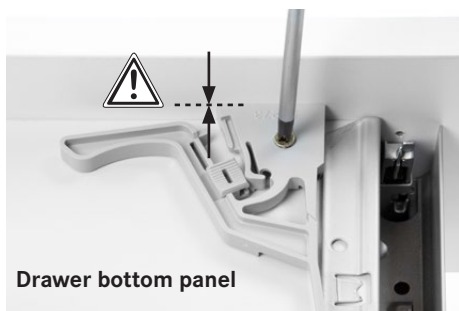
Important:

Stop must be in correct position, see figure

Slide the stop in on the front fixing bracket of the right-hand Nova Pro cabinet member until it audibly engages.



2. Assembly of the child lock



Position child lock flush with the front panel and, screw to the drawer bottom panel using a 4 x 20 mm countersunk screw.

3. Function of the child lock



4. Opening the drawer with activated child lock



Open drawer a little. Pull lever towards the front panel and then completely pull out the drawer.