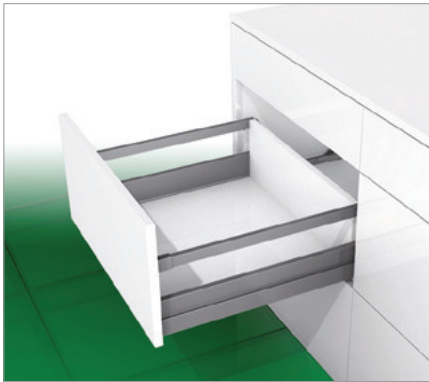


NOVA PRO SCALA

Pot drawer H90 with rectangular railing



- Snug-fitting rectangular railing
- Flush-fitting back panel adapter
- Minimum plastic parts
- Integrated height and side adjustment
- Tilt angle adjustment using railing
- Optimum use of space due to straight inside surfaces and low construction width
- Tool-free installation and removal of the front
- Width of bottom and back panel is the same
- Bottom panel machining not required

Packaging unit (PU):

- 123 = 100 items in PE
- 201 = 1 item in cardboard box (smallest PU = 10 units)
- 211 = 20 items in a cardboard box
- 228 = 150 items in a cardboard box
- 250 = 1500 items in a cardboard box
- 507 = 10 items in PE in a cardboard box
- 547 = 1000 items in PE in a cardboard box

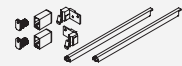
ORDER INFORMATION

1 Nova Pro Scala drawer sides H90 Set: One left, one right



NL	Stone				Ice				Silver			
	Item No.	PU			Item No.	PU			Item No.	PU		
270	F100103108	201	211		F100103135	201	211		F100103162	201	211	
300	F100103111	201	211		F100103138	201	211		F100103165	201	211	
350	F100103114	201	211		F100103141	201	211		F100103168	201	211	
400	F100103117	201	211		F100103144	201	211		F100103171	201	211	
450	F100103120	201	211	228	F100103147	201	211	228	F100103174	201	211	228
500	F100103123	201	211	228	F100103150	201	211	228	F100103177	201	211	228
550	F100103126	201	211		F100103153	201	211		F100103180	201	211	
600	F100103129	201	211		F100103156	201	211		F100103183	201	211	
650	F100103132	201	211		F100103159	201	211		F100103186	201	211	

2 Rectangular railing, screw-on, for wooden back panel Set: Railing, railing bracket (front/back) and cover cap, one of each left/right

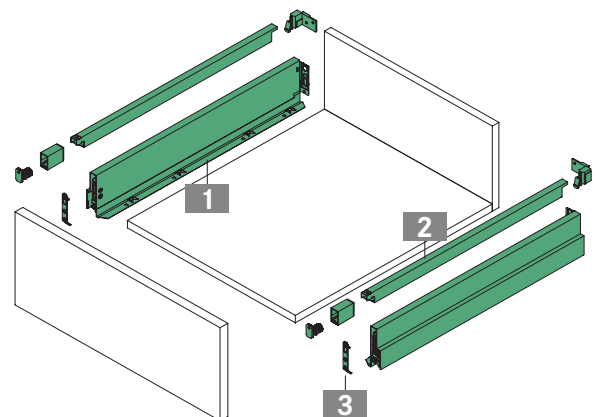


NL	Stone				Ice				Silver			
	Item No.	PU			Item No.	PU			Item No.	PU		
270	F102103516	507			F102103525	507			F102103534	507		
300	F102103517	507			F102103526	507			F102103535	507		
350	F102103518	507			F102103527	507			F102103536	507		
400	F102103519	507			F102103528	507			F102103537	507		
450	F102103520	507			F102103529	507			F102103538	507		
500	F102103521	507			F102103530	507			F102103539	507		
550	F102103522	507			F102103531	507			F102103540	507		
600	F102103523	507			F102103532	507			F102103541	507		
650	F102103524	507			F102103533	507			F102103542	507		

3 Installation hook Single item: Can be used on left/right



	Description	Item No.	123	PU
32 mm	Expansion dowel	F102117719	123	547
50 mm	Expansion dowel	F102117720	123	547
32 mm	For press fitting	F102021854	123	250
50 mm	For press fitting	F102021153	123	250
	For screw fixing	F102021855	123	547

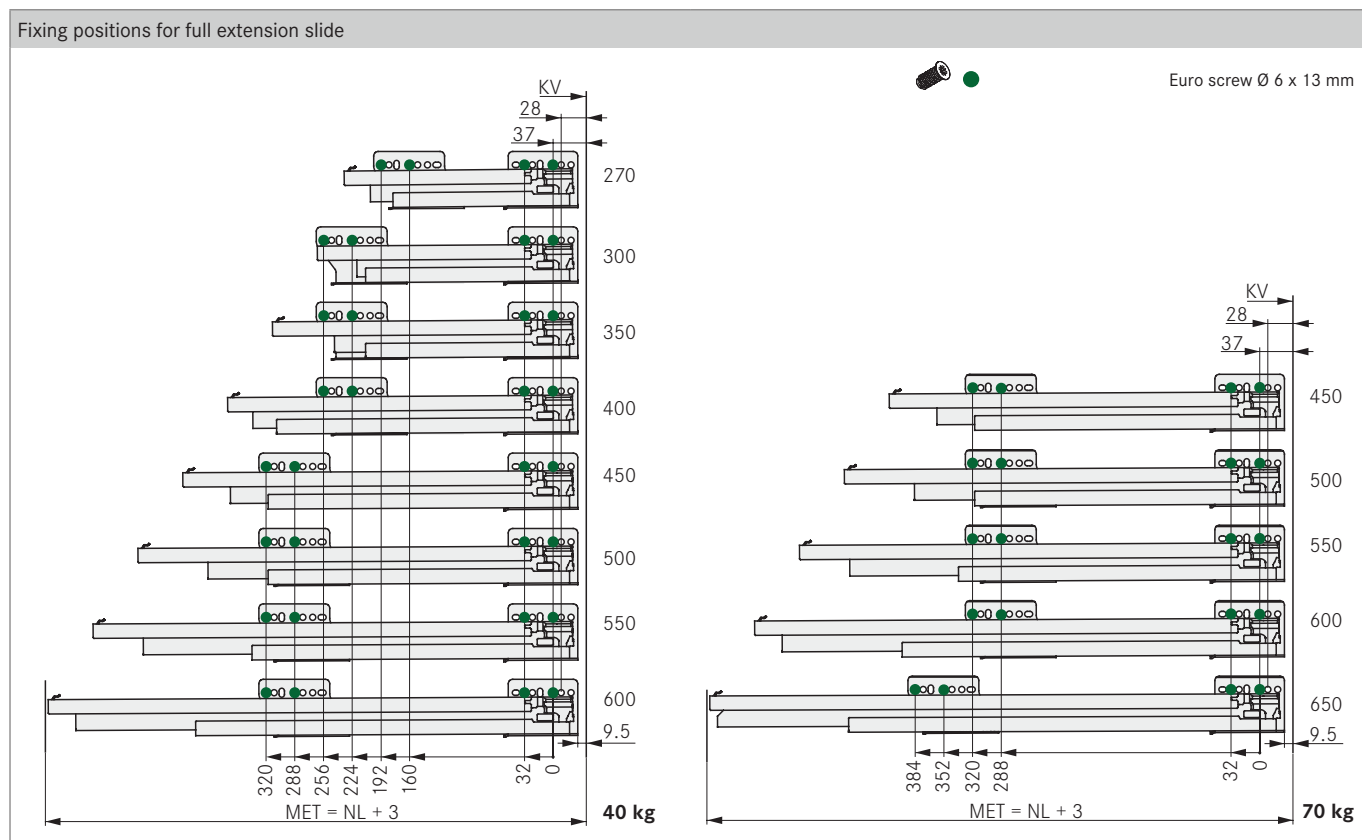
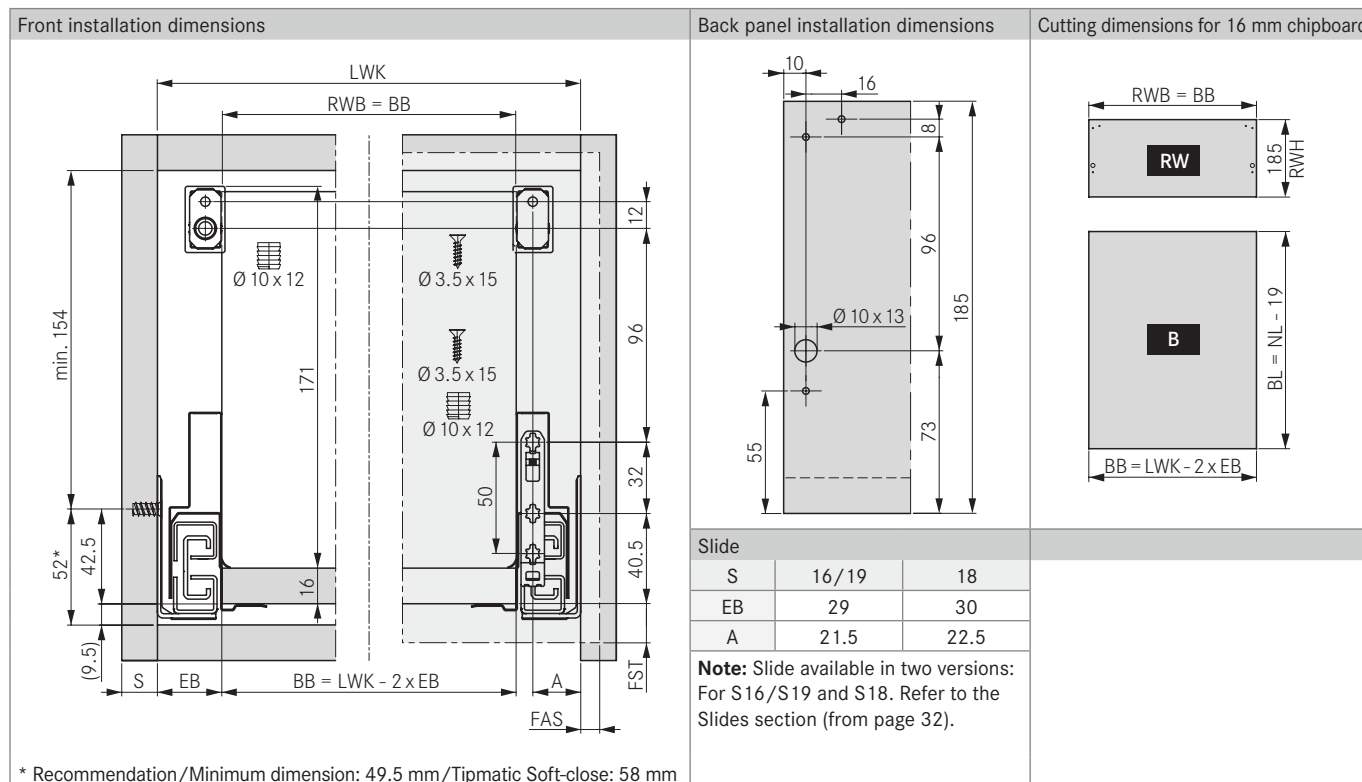


PAGE REFERENCES

Slides	32	Steel back panels	58	Technical information	68
Inset panels	44	Designer panels	60	Sensomatic	75
Individual components	54	Accessories	62	Organising systems	97

PLANNING DIMENSIONS

All dimensions in millimetres



LEGEND

B	Bottom panel	FST	Front overlay	NL	Nominal length
BB / BL	Bottom width / Bottom length	KV	Front edge of cabinet	RW	Back panel
EB	Construction width	LWK	Inside cabinet width	RWB	Width of back panel
FAS	Front overlay, side	MET	Minimum installation depth	RWH	Height of back panel