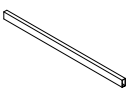
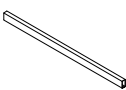



NOVA PRO SCALA

Cross and longitudinal divider

ORDER INFORMATION

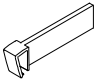
1	Nova Pro Divider railing			
	Piece			
				
KB	Ice	Silver	Stone	Zircon
300	F102103819	F102103840	F102103798	F102133296
400	F102103821	F102103842	F102103800	F102133297
450	F102103822	F102103843	F102103801	F102133298
500	F102103823	F102103844	F102103802	F102133299
600	F102103825	F102103846	F102103804	F102133300
800	F102103829	F102103850	F102103808	F102133301
900	F102103831	F102103852	F102103810	F102133302
1000	F102103833	F102103854	F102103812	F102133303
1200	F102103837	F102103858	F102103816	F102133304

2	Nova Pro Divider railing made of aluminium			
	for cutting to length			
	Piece			
				
L	Ice	Silver	Stone	Zircon
1150	F102108654	F102108655	F102108653	F102133305

3	Divider railing clip for rectangular railing			
	Piece			
				
	Ice	Silver	Stone	Zircon
	F102104688	F102104699	F102104677	F102133308

4	Divider railing clip for Crystal Plus			
	Piece			
				
	Ice	Silver	Stone	Zircon
	F102104689	F102104700	F102104678	F102133307

5	Universal divider railing clip for aluminium			
	divider railing			
	Piece: Left or right			
				
	Ice	Silver	Stone	Zircon
	F102108834	F102108836	F102108835	F102133336

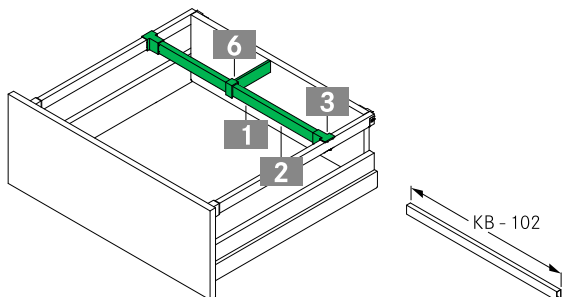
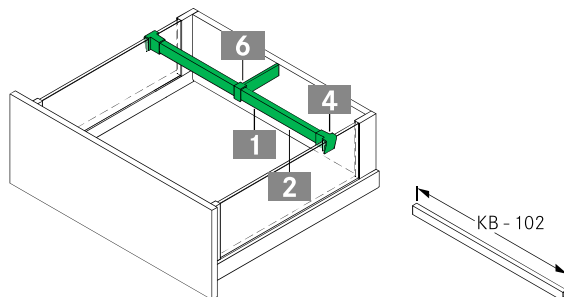
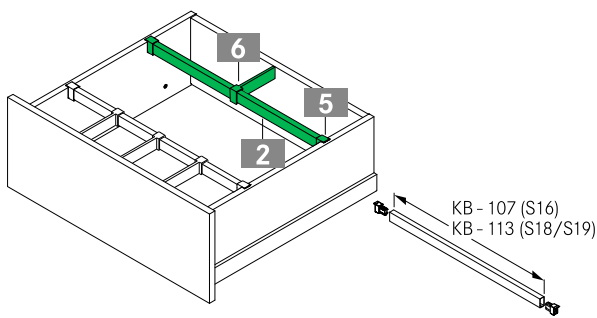
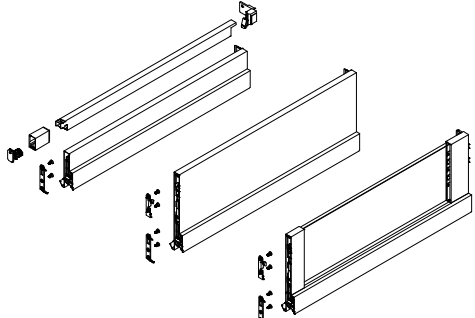
6	Longitudinal divider railing			
	Piece			
				
L	Ice	Silver	Stone	Zircon
100	F102109963	F102109964	F102109962	F102133306

PAGE REFERENCES

Drawer sides	16	Inset panels	44	Technical information	86
Rectangular railing	26	Steel back panels	62	Sensomatic	105
Slides	30	Accessories	80	Assembly technology	125

PLANNING INFORMATION

All dimensions in millimetres

Cross and longitudinal divider for rectangular railing	Cross and longitudinal divider for Crystal Plus
<p>Requires 1/2 (1x), 3 (2x), 6</p> 	<p>Requires 1/2 (1x), 4 (2x), 6</p> 
Cross divider with universal divider railing clip and longitudinal divider for all Nova Pro Scala drawer versions	
<p>Requires 2 (1x), 5 (2x), 6</p> 	

LEGEND

KB Cabinet width
L Length
S Side wall thickness