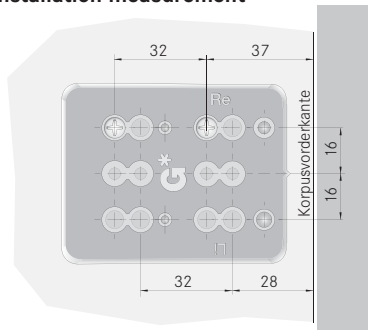


Nova Pro Spacer Type P600

- Thickness 25 mm
- The hole pattern is suitable for Nova Pro
- The spacer can be used left and right

Installation measurement



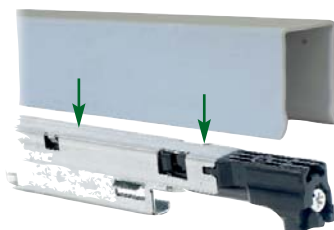
For installation see page 64

Type	Item No.
P600 Spacer	
20 pcs. white	62616-05
100 pcs. white	62616-09

Nova Protection Type P600

Installation cover for Nova Pro cabinet member

Colour: grey
Length: 500mm



Type	Item No.
Nova Protection	
10 pcs.	66378-04

Shock absorber retrofit for Nova Pro



Type	Item No.
Shock absorber retrofit	
PU 100 pcs.	70046-09

Adapter railing for filing cabinets system Type 6110/B-Rel

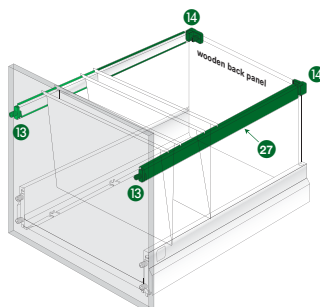
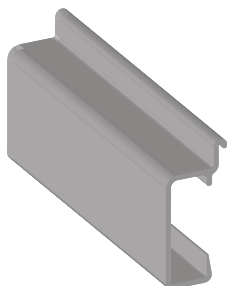
- Consisting of:**
- 2 side railing
 - 2 front railing clip
 - 2 back railing clip
- } see page 28-29
- 2 adapter railing
For installation see page 72

Technical information

Adapter railings are designed for cabinets with an outer measurement of 428 mm and a side wall thickness of 16 mm. Hanging files size DIN A4 can be used (DIN 821).
Colour: metallic or white. Cut to desired

Length of railing = Drawer length - back panel thickness - 4.5 mm
Delivered length railing = 1100 mm

Cut to size using handsaw or circular saw.



Type	Item No.
27 Adapter railing 6110/B-Rel 1100	
RAL 9006	10095-05
RAL 9010	99062-05
PU	20 pcs.

Drawer slides and drawer sides

Sensotronic Tipmatic Plus

Railing systems

Add-on systems

Inset drawer

Steel back panel Side stabilising device

Drawer organizing sets

Accessories

Installation Installation jigs

Drilling and insertion machines