

NOVA PRO SCALA

Drawers H122



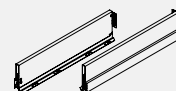
- The elegant intermediate height for special applications
- Can be personalised with designer panels
- Integrated height, side and tilt angle adjustment
- Optimum use of space due to straight inside surfaces and low construction width
- Robust design and high level of stability
- Tool-free installation and removal of the front
- Width of bottom and back panel is the same
- Bottom panel machining not required

Packaging unit (PU):

- 123 = 100 items in PE
- 201 = 1 item in cardboard box (smallest PU = 10 units)
- 211 = 20 items in a cardboard box
- 250 = 1500 items in a cardboard box
- 547 = 1000 items in PE in a cardboard box

ORDER INFORMATION

1 Nova Pro Scala drawer sides H122 Set: One left, one right

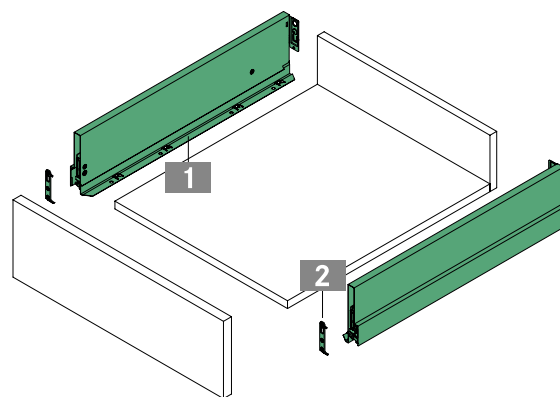


NL	Stone			Ice			Silver		
	Art.-no.	PU		Art.-no.	PU		Art.-no.	PU	
400	F100103225	201	211	F100103252	201	211	F100103279	201	211
450	F100103228	201	211	F100103255	201	211	F100103282	201	211
500	F100103231	201	211	F100103258	201	211	F100103285	201	211
550	F100103234	201	211	F100103261	201	211	F100103288	201	211
600	F100103237	201	211	F100103264	201	211	F100103291	201	211

2 Installation hook Single item: Can be used on left/right



	Description	Art.-no.	PU
32 mm	Expansion dowel	F102117719	123 547
50 mm	Expansion dowel	F102117720	123 547
32 mm	For press fitting	F102021854	123 250
50 mm	For press fitting	F102021153	123 250
	For screw fixing	F102021855	123 547



PAGE REFERENCES

Slides	34	Technical information	74	Assembly technology	116
Designer panels	64	Sensomatic	81	Assembly aids	120
Accessories	66	Organising systems	103	Packaging code	127

PLANNING DIMENSIONS

All dimensions in millimetres

Front installation dimensions	Back panel installation dimensions	Cutting dimensions for 16 mm chipboard												
<table border="1"> <thead> <tr> <th colspan="3">Slide</th> </tr> </thead> <tbody> <tr> <td>S</td> <td>16/19</td> <td>18</td> </tr> <tr> <td>EB</td> <td>29</td> <td>30</td> </tr> <tr> <td>A</td> <td>21.5</td> <td>22.5</td> </tr> </tbody> </table> <p>Note: Slide available in two versions: For S16/S19 and S18. Refer to the Slides section (from page 34).</p>			Slide			S	16/19	18	EB	29	30	A	21.5	22.5
Slide														
S	16/19	18												
EB	29	30												
A	21.5	22.5												
<p>* Recommendation/Minimum dimension: 49.5 mm/Tipmatic Soft-close: 58 mm</p>														

Fixing positions for full extension slide

Euro screw $\text{Ø } 6 \times 13 \text{ mm}$

40 kg **70 kg**

LEGEND

B	Bottom panel	FST	Front overlay	NL	Nominal length
BB / BL	Bottom width / Bottom length	KV	Front edge of cabinet	RW	Back panel
EB	Construction width	LWK	Inside cabinet width	RWB	Width of back panel
FAS	Front overlay, side	MET	Minimum installation depth	RWH	Height of back panel