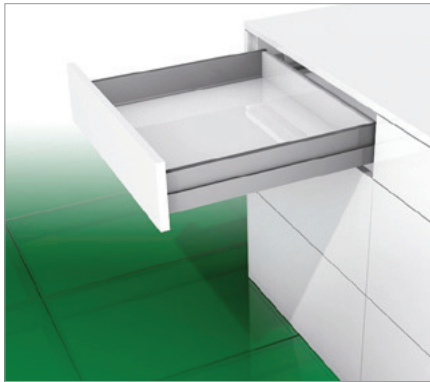


NOVA PRO SCALA

Drawers H90



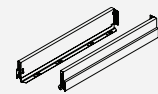
- The practical standard drawer for all applications
- Can be personalised with designer panels
- Integrated height and side adjustment
- Optimum use of space due to straight inside surfaces and low construction width
- Robust design and high level of stability
- Tool-free installation and removal of the front
- Width of bottom and back panel is the same
- Bottom panel machining not required

Packaging unit (PU):

- 123 = 100 items in PE
- 201 = 1 item in cardboard box (smallest PU = 10 units)
- 211 = 20 items in a cardboard box
- 228 = 150 items in a cardboard box
- 250 = 1500 items in a cardboard box
- 547 = 1000 items in PE in a cardboard box

ORDER INFORMATION

1 Nova Pro Scala drawer sides H90 Set: One left, one right

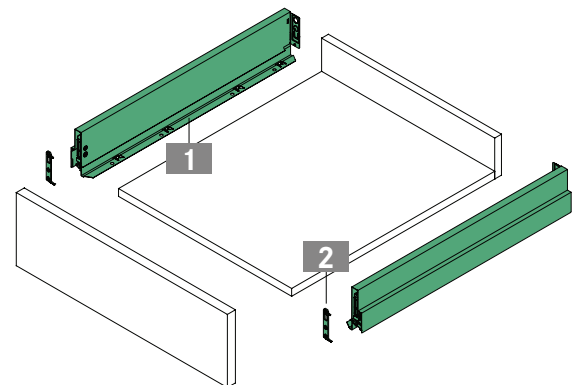


NL	Stone				Ice				Silver				
	Item No.	PU		Item No.	PU		Item No.	PU					
270	F100103108	201	211	F100103135	201	211	F100103162	201	211				
300	F100103111	201	211	F100103138	201	211	F100103165	201	211				
350	F100103114	201	211	F100103141	201	211	F100103168	201	211				
400	F100103117	201	211	F100103144	201	211	F100103171	201	211				
450	F100103120	201	211	228	F100103147	201	211	228	F100103174	201	211	228	
500	F100103123	201	211	228	F100103150	201	211	228	F100103177	201	211	228	
550	F100103126	201	211		F100103153	201	211		F100103180	201	211		
600	F100103129	201	211		F100103156	201	211		F100103183	201	211		
650	F100103132	201	211		F100103159	201	211		F100103186	201	211		

2 Installation hook Single item: Can be used on left/right



	Description	Item No.	PU	
32 mm	Expansion dowel	F102117719	123	547
50 mm	Expansion dowel	F102117720	123	547
32 mm	For press fitting	F102021854	123	250
50 mm	For press fitting	F102021153	123	250
	For screw fixing	F102021855	123	547



PAGE REFERENCES

Slides	32	Steel back panels	58	Technical information	68
Inset panels	44	Designer panels	60	Sensomatic	75
Rectangular railing	54	Accessories	62	Organising systems	97

PLANNING DIMENSIONS

All dimensions in millimetres

Front installation dimensions	Back panel installation dimensions	Cutting dimensions for 16 mm chipboard																
<table border="1"> <thead> <tr> <th>Slide</th> <th>S</th> <th>EB</th> <th>A</th> </tr> </thead> <tbody> <tr> <td>S</td> <td>16/19</td> <td>29</td> <td>21.5</td> </tr> <tr> <td>EB</td> <td>18</td> <td>30</td> <td>22.5</td> </tr> <tr> <td>A</td> <td></td> <td></td> <td></td> </tr> </tbody> </table> <p>Note: Slide available in two versions: For S16/S19 and S18. Refer to the Slides section (from page 32).</p>			Slide	S	EB	A	S	16/19	29	21.5	EB	18	30	22.5	A			
Slide	S	EB	A															
S	16/19	29	21.5															
EB	18	30	22.5															
A																		
<p>* Recommendation/Minimum dimension: 49.5 mm/Tipmatic Soft-close: 58 mm</p>																		

Fixing positions for full extension slide

Euro screw $\varnothing 6 \times 13$ mm

40 kg

70 kg

LEGEND

B	Bottom panel	FST	Front overlay	NL	Nominal length
BB / BL	Bottom width / Bottom length	KV	Front edge of cabinet	RW	Back panel
EB	Construction width	LWK	Inside cabinet width	RWB	Width of back panel
FAS	Front overlay, side	MET	Minimum installation depth	RWH	Height of back panel