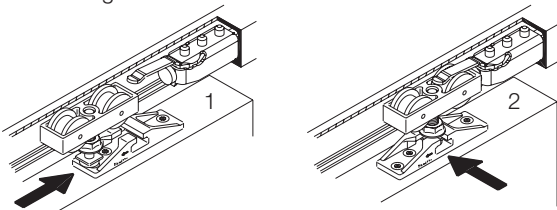





Installation

1. Side mounting. Doors to be taken off or suspended without removing a possible cover.
2. Front mounting.



Accessories

	code
 Guide profile, plastic black, 1300 mm (4'3 ³ / ₁₆ "), groove mounted, set of 10 pieces	14540
 Cover cap for top track, plastic anthracite-grey RAL 7016	20903
 Bottom door stop	20773

Further accessories see pages 56 - 68.

HAWA-Junior hardware may also be used for glass or metal sliding doors. Please request the corresponding documentation.

Hardware system for wooden sliding doors weighing up to 80 kg (176 lbs.).

Description

The HAWA-Junior 80/Z is a highly reliable hardware system with two-way suspension for wooden sliding doors with a maximum panel weight of 80 kg (176 lbs.). The two-way suspension permits the sliding doors to be suspended or taken off in two different ways.

Features of the HAWA-Junior 80/Z

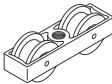
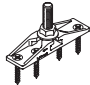
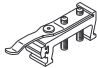

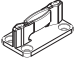

- Two-way suspension
- Light and silent action
- Adjustable vertically [± 4 mm ($\frac{5}{32}$ ")] and laterally
- Track stop, adjustable retaining force

Set for single door, without top track

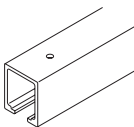
	code
HAWA-Junior 80/Z	11705

For two-panel sliding doors please order two sets for single doors.

Set comprising

	pieces	code
 Two-wheeled trolley, M10, with plastic wheels	2	10407
 Two-way suspension plate, with hanger bolt M10 and fixing screws	2	10489
 Track stop, adjustable retaining force	1	10628
 Screw-on rubber door stop	1	10629
 Guide, rattle proof, for screw mounting to floor, groove width 10 mm ($\frac{25}{64}$), black plastic	1	14427
 Vertical adjustment pin	1	10795

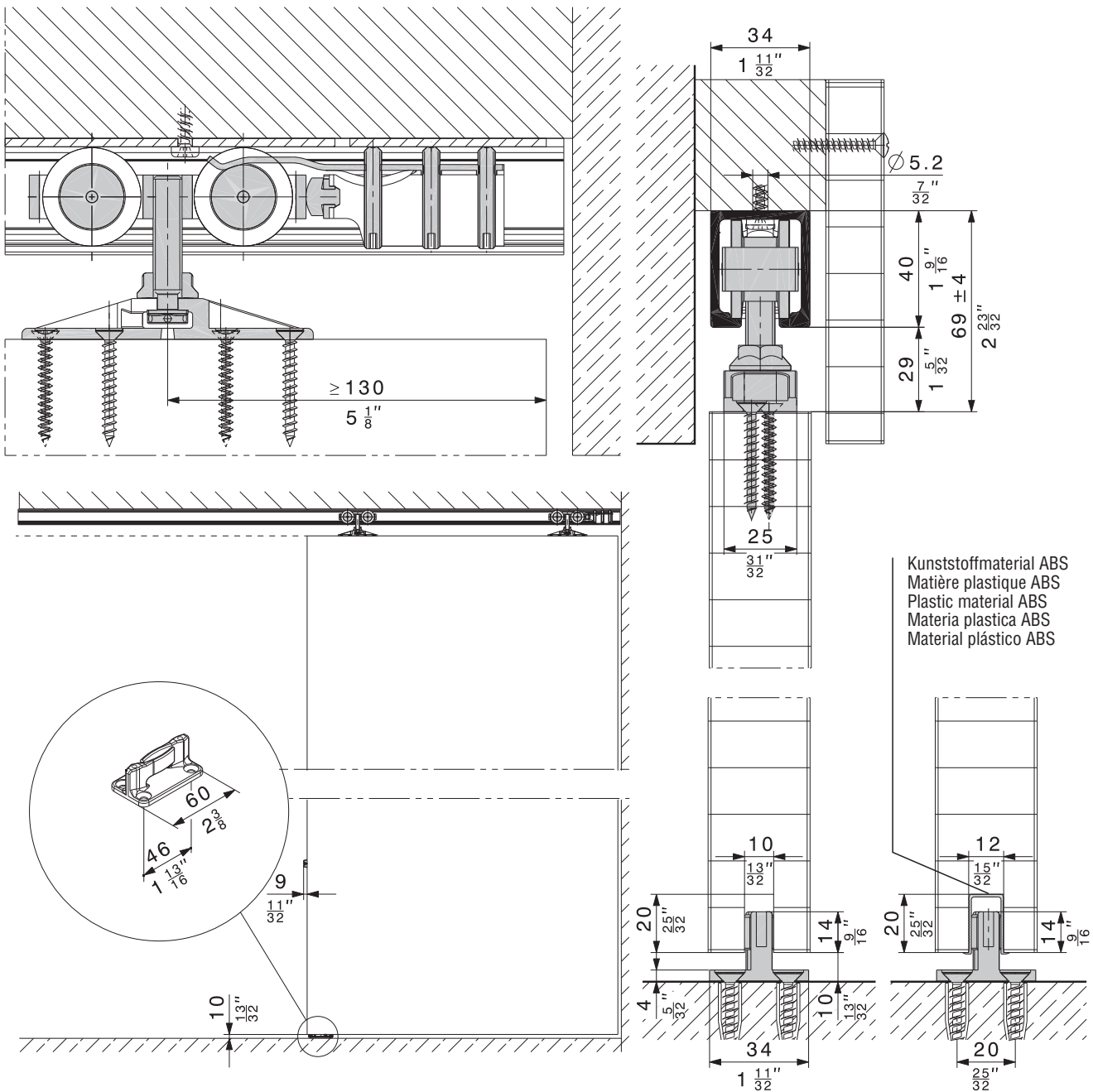
Top tracks

Caution: Hole positions vary.		mm/inch	code
		1400 (4'7 ¹ / ₈ ")	10189
		1600 (5'2 ⁵³ / ₆₄ ")	10190
		1800 (5'10 ⁵⁵ / ₆₄ ")	10191
		2000 (6'6 ⁴⁷ / ₆₄ ")	10192
		2200 (7'2 ³⁹ / ₆₄ ")	10193
		2500 (8'2 ²⁷ / ₆₄ ")	10194
		3000 (9'10 ⁷ / ₆₄ ")	18532
		4000 (13'1 ³¹ / ₆₄ ")	18533
		6000 (19'8 ⁷ / ₃₂ ")	10186
		cut to size	10188

Planning/installation

Please use for planning and execution the installation instructions code 17689.

Subject to modification. Metric specifications are exact. Inches are approximate.



Hawa-Teile
 Eléments Hawa
 Hawa components
 Componenti Hawa
 Componentes Hawa

NOTICE: Metric dimensions are valid – dimensions stated in inches are for information only.

Diese Zeichnung ist Eigentum der Hawa AG und darf weder verwertet, vervielfältigt noch Dritten zugänglich gemacht werden. Alle unsere Katalog-Zeichnungen sowie die speziellen Einbauzeichnungen im Massstab 1:1 usw. stellen Beispiele zum Einbau unserer Beschläge dar. Irgendwelche Ansprüche aus der Verwendung dieser Unterlagen können durch den Kunden nicht abgeleitet werden. Für bau-/projektbezogene, konstruktive Details wird keine Verantwortung übernommen.

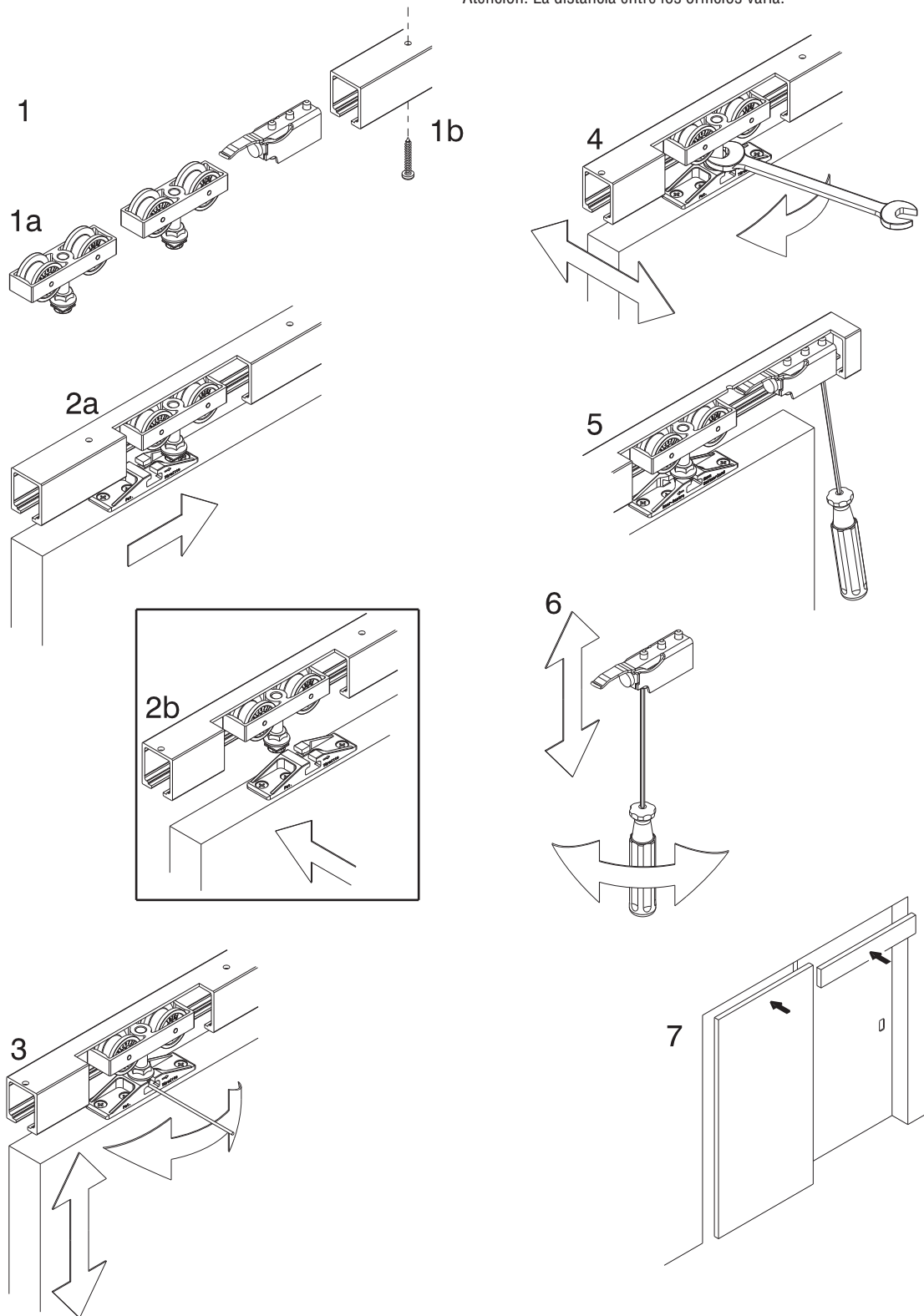
Ce plan est la propriété de Hawa AG. Il ne peut être utilisé à titre lucratif, ni photocopié ou transmis à un tiers. Tous les plans publiés dans les catalogues, les plans de montage spéciaux à l'échelle 1:1 etc. représentent des exemples de montage de nos ferrures. Le client ne peut tirer des droits quelconques en utilisant de tels documents. Pour des détails constructifs touchant aux projets ou aux sites, toute responsabilité est déclinée.

This drawing remains the property of Hawa AG and may not be sold, reproduced or made available to third parties. All of our catalogue drawings and special full scale installation drawings etc. represent installations using our hardware and fittings. No claims on the part of the customers can be considered which arise in connection with the use of these documents. For site or project-related design details any liability is declined.

Questo disegno è proprietà di Hawa AG e non può essere usato a scopo di lucro, riprodotto e reso accessibile a terzi. Tutti i nostri disegni del catalogo nonché i particolari disegni di montaggio in scala 1:1 ecc. rappresentano esempi per il montaggio delle nostre ferramenta. Eventuali rivendicazioni a seguito dell'utilizzo di questa documentazione non possono essere evidenziate da parte del cliente. Non assumiamo nessuna responsabilità per dettagli costruttivi che riguardano qualsiasi costruzione o progetto.

Este documento es propiedad de la empresa Hawa AG. Se excluye la venta y reproducción, al igual que el acceso a terceras personas. Los planos contenidos en nuestros catálogos, al igual que los planos especiales de montaje a escala 1:1 etc. representan ejemplos para el montaje de nuestros herrajes. Su uso no implica la deducción de derechos, cualquiera sea su naturaleza, por parte del cliente. No asumimos ninguna responsabilidad por los detalles constructivos relativos a la construcción o proyectos.

Achtung: Die Lochdistanzen der Schienen variieren.
Attention: Les distances entre les trous varient.
Caution: Hole positions vary.
Attenzione: Le distanze tra i fori variano.
Atención: La distancia entre los orificios varía.



Technische Änderungen vorbehalten
Sous réserve de modifications techniques
Subject to modification

Con riserva di apportare modifiche tecniche
Bajo reserva de modificaciones técnicas