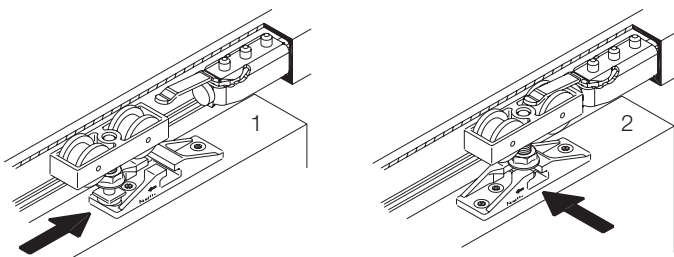


Installation

1. Side mounting. Doors to be taken off or suspended without removing a possible cover.
2. Front mounting.



Guide profile

	code
	14540
	20901
	20773

Further accessories see pages 56 - 68.

Hardware system for wooden sliding doors weighing up to 40 kg (88 lbs.).

Description

The HAWA-Junior 40/Z is a highly reliable hardware system with two-way suspension for wooden sliding doors with a maximum panel weight of 40 kg (88 lbs.). The two-way suspension permits the sliding doors to be suspended or taken off in two different ways.

Features of the HAWA-Junior 40/Z

- Two-way suspension
- Light and silent action
- Adjustable vertically [± 3 mm ($\frac{1}{8}$ ")] and laterally
- Track stop, adjustable retaining force

Set for single door, without top track

	code
HAWA-Junior 40/Z	11712
For two-panel sliding doors please order two sets for single doors.	

Set comprising

	pieces	code
	2	10420
	2	10488
	1	10640
	1	10629
	1	14427
	1	10795

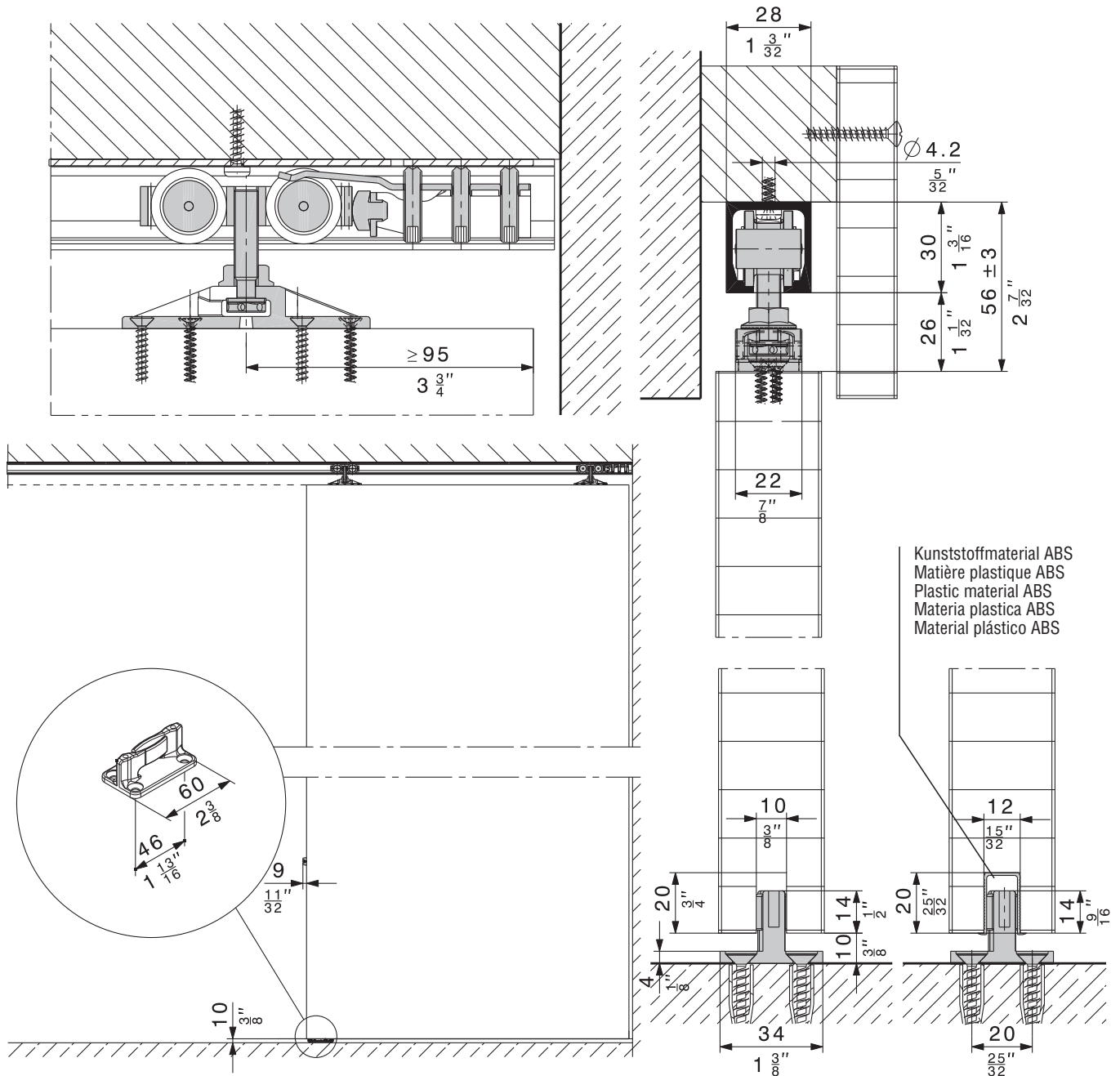
Top tracks

Caution: Hole positions vary.		mm/inch	code
		1400 (4'7 1/8")	10213
		1600 (5'2 53/64")	10214
		1800 (5'10 55/64")	10215
		2000 (6'6 47/64")	10216
		3000 (9'10 7/64")	18530
		4000 (13'1 31/64")	18531
		6000 (19'8 7/32")	10211
	cut to size	10217	

Planning/installation

Please use for planning and execution the installation instructions code 17689.

Subject to modification. Metric specifications are exact. Inches are approximate.



Hawa-Teile
 Eléments Hawa
 Hawa components
 Componenti Hawa
 Componentes Hawa

NOTICE: Metric dimensions are valid – dimensions stated in inches are for information only.

Diese Zeichnung ist Eigentum der Hawa AG und darf weder verwerdet, vervielfältigt noch Dritten zugänglich gemacht werden. Alle unsere Katalog-Zeichnungen sowie die speziellen Einbauzeichnungen im Massstab 1:1 usw. stellen Beispiele zum Einbau unserer Beschläge dar. Irgendwelche Ansprüche aus der Verwendung dieser Unterlagen können durch den Kunden nicht abgeleitet werden. Für bau-/projektbezogene, konstruktive Details wird keine Verantwortung übernommen.

Ce plan est la propriété de Hawa AG. Il ne peut être utilisé à titre lucratif, ni photocopié ou transmis à un tiers. Tous les plans publiés dans les catalogues, les plans de montage spéciaux à l'échelle 1:1 etc. représentent des exemples de montage de nos ferrures. Le client ne peut tirer des droits quelconques en utilisant de tels documents. Pour des détails constructifs touchant aux projets ou aux sites, toute responsabilités est déclinée.

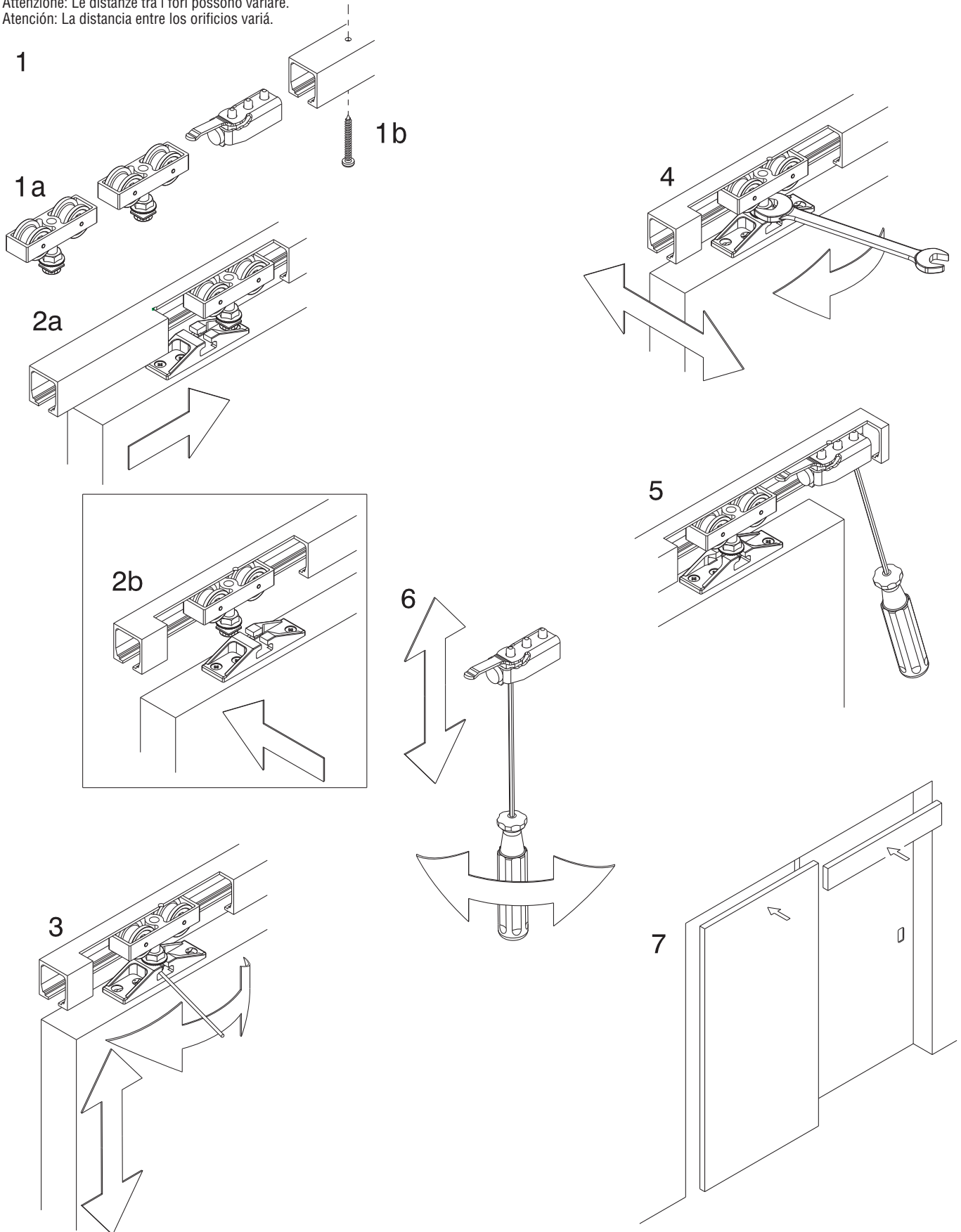
This drawing remains the property of Hawa AG and may not be sold, reproduced or made available to third parties. All of our catalogue drawings and special full scale installation drawings etc. represent installations using our hardware and fittings. No claims on the part of the customers can be considered which arise in connection with the use of these documents. For site or project-related design details any liability is declined.

Questo disegno è proprietà di Hawa AG e non può essere usato a scopo di lucro, riprodotto e reso accessibile a terzi. Tutti i nostri disegni del catalogo nonché i particolari disegni di montaggio in scala 1:1 ecc. rappresentano esempi per il montaggio delle nostre ferramenta. Eventuali rivendicazioni a seguito dell'utilizzo di questa documentazione non possono essere evidenziate da parte del cliente. Non assumiamo nessuna responsabilità per dettagli costruttivi che riguardano qualsiasi costruzione o progetto.

Este documento es propiedad de la empresa Hawa AG. Se excluye la venta y reproducción, al igual que el acceso a terceras personas. Los planos contenidos en nuestros catálogos, al igual que los planos especiales de montaje a escala 1:1 etc. representan ejemplos para el montaje de nuestros herrajes. Su uso no implica la deducción de derechos, cualquiera sea su naturaleza, por parte del cliente. No asumimos ninguna responsabilidad por los detalles constructivos relativos a la construcción o proyectos.

HAWA - Junior 40/Z

Achtung: Die Lochdistanzen der Schienen variieren.
Attention: Les distances entre les trous varient.
Caution: Hole positions vary.
Attenzione: Le distanze tra i fori possono variare.
Atención: La distancia entre los orificios variá.



Technische Änderungen vorbehalten
Sous réserve de modifications techniques
Subject to modification

Con riserva di apportare modifiche tecniche
Bajo reserva de modificaciones técnicas