

## Hardware system for wooden sliding doors weighing up to 40 kg (88 lbs.) For low headroom applications.

### Description

The HAWA-Junior 40/B is a hardware system with top fixed suspension for low headroom applications and for sliding doors with a weight of up to 40 kg (88 lbs.).

### Features of the HAWA-Junior 40/B

- Top fixed suspension
- Low headroom applications
- Light and silent action
- Adjustable vertically  $\pm 3$  mm ( $\frac{1}{8}$ " )
- Track stop, adjustable retaining force

### Set for single door, without top track

	code
HAWA-Junior 40/B	19475
For two-panel sliding doors please order two sets for single doors.	

### Set comprising

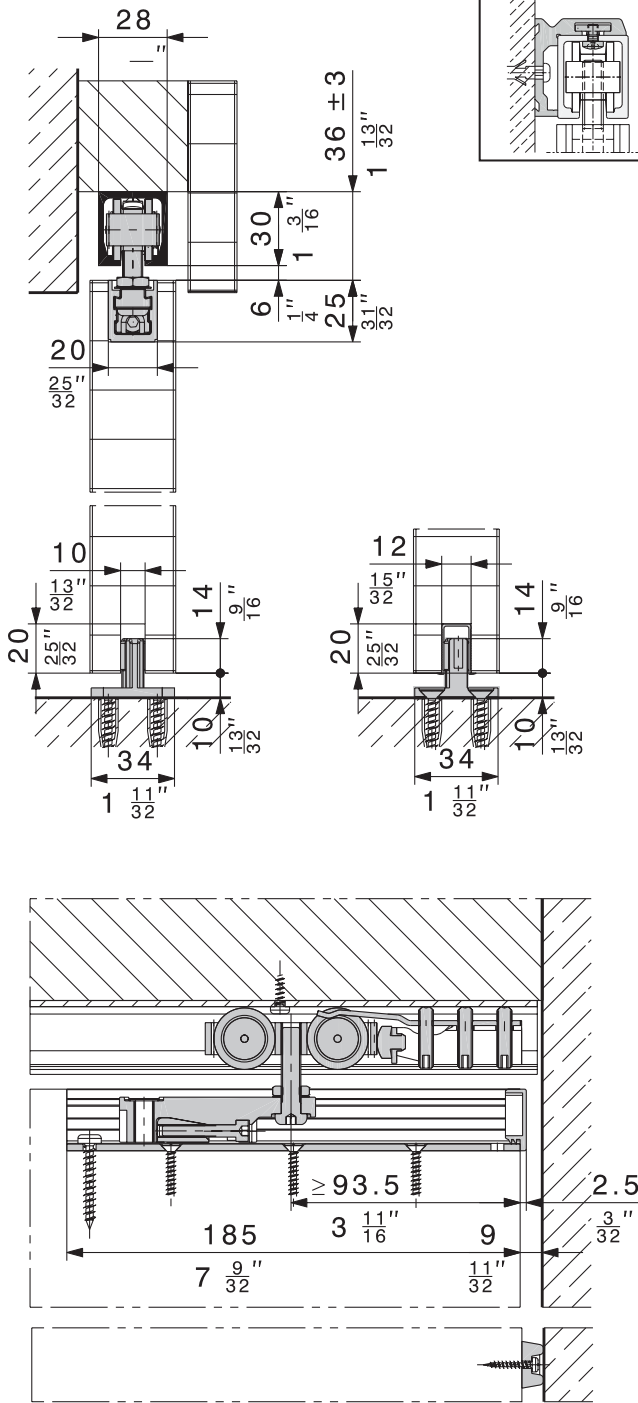
	pieces	code
	2	10420
	2	19631
	2	21520
	1	10640
	1	10629
	1	14427
	1	10793
	1	19931

### Top tracks

Caution: Hole positions vary.		mm/inch	code	
	Top track, alu plain anodized, predrilled	1400 (4'7 $\frac{1}{8}$ " )	10213	
		1600 (5'2 $\frac{63}{64}$ " )	10214	
		1800 (5'10 $\frac{55}{64}$ " )	10215	
		2000 (6'6 $\frac{47}{64}$ " )	10216	
		3000 (9'10 $\frac{7}{64}$ " )	18530	
		4000 (13'1 $\frac{31}{64}$ " )	18531	
		6000 (19'8 $\frac{7}{32}$ " )	10211	
		cut to size	10217	
		Top track, alu stainless steel effect, brushed, predrilled	4000 (13'1 $\frac{31}{64}$ " )	20002
			6000 (19'8 $\frac{7}{32}$ " )	20001
cut to size	20003			

### Planning/installation

Please use for planning and execution the installation instructions code 17689.



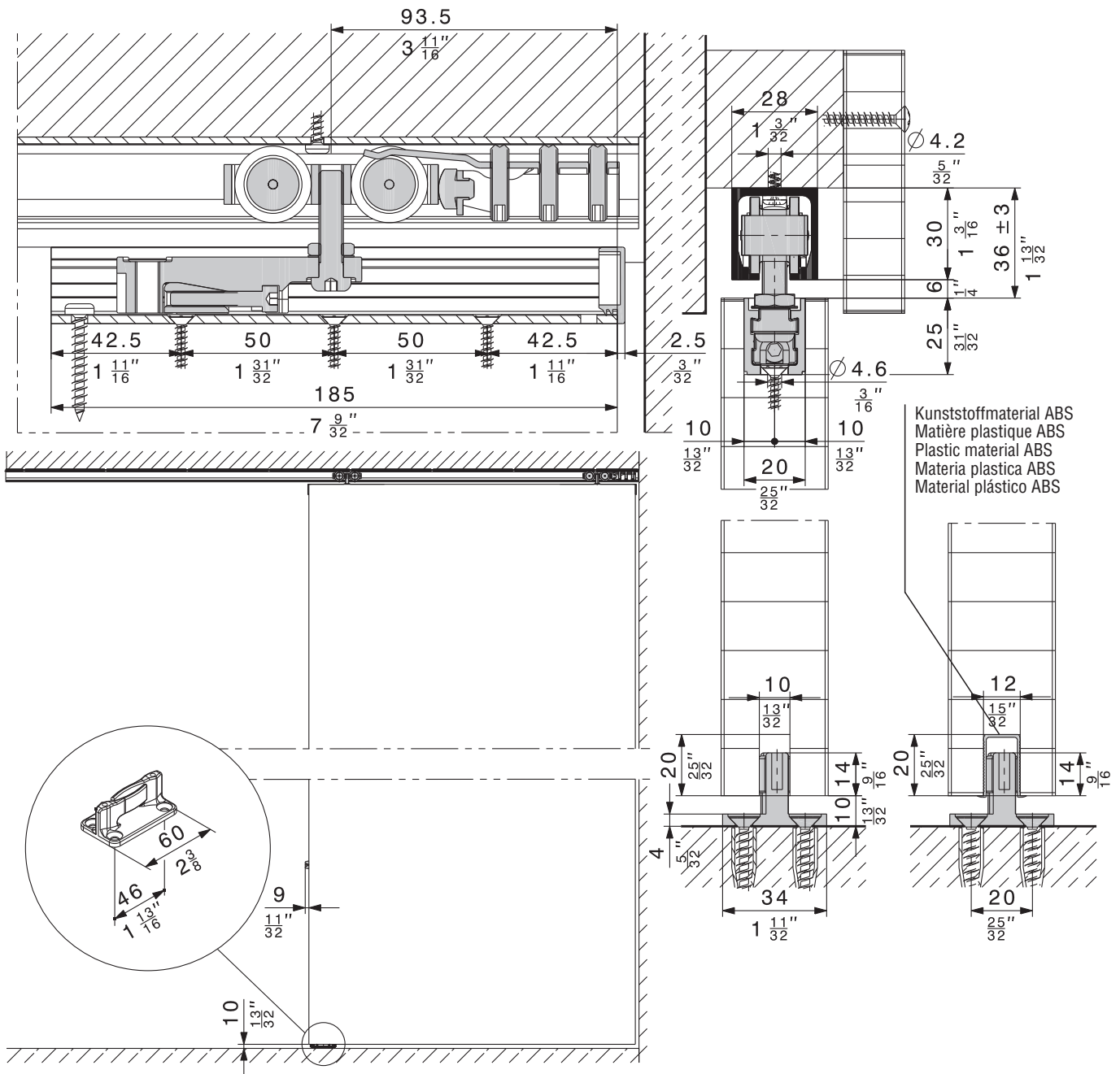
### Accessories

	code
	14540
	20901
	20773

Further accessories see pages 56 - 68.

HAWA-Junior hardware may also be used for glass or metal sliding doors. Please request the corresponding documentation.

Subject to modification. Metric specifications are exact. Inches are approximate.



■ Hawa-Teile    ■ Eléments Hawa    ■ Hawa components    ■ Componenti Hawa    ■ Componentes Hawa

Metric specifications are exact - Inches are approximate

Diese Zeichnung ist Eigentum der Hawa AG und darf weder verwendet, vervielfältigt noch Dritten zugänglich gemacht werden. Alle unsere Katalog-Zeichnungen sowie die speziellen Einbauzeichnungen im Massstab 1:1 usw. stellen Beispiele zum Einbau unserer Beschläge dar. Irgendwelche Ansprüche aus der Verwendung dieser Unterlagen können durch den Kunden nicht abgeleitet werden. Für bau-/projektbezogene, konstruktive Details wird keine Verantwortung übernommen.

Ce plan est la propriété de Hawa AG. Il ne peut être utilisé à titre lucratif, ni photocopié ou transmis à un tiers. Tous les plans publiés dans les catalogues, les plans de montage spéciaux à l'échelle 1:1 etc. représentent des exemples de montage de nos ferrures. Le client ne peut tirer des droits quelconques en utilisant de tels documents. Pour des détails constructifs touchant aux projets ou aux sites, toute responsabilités est déclinée.

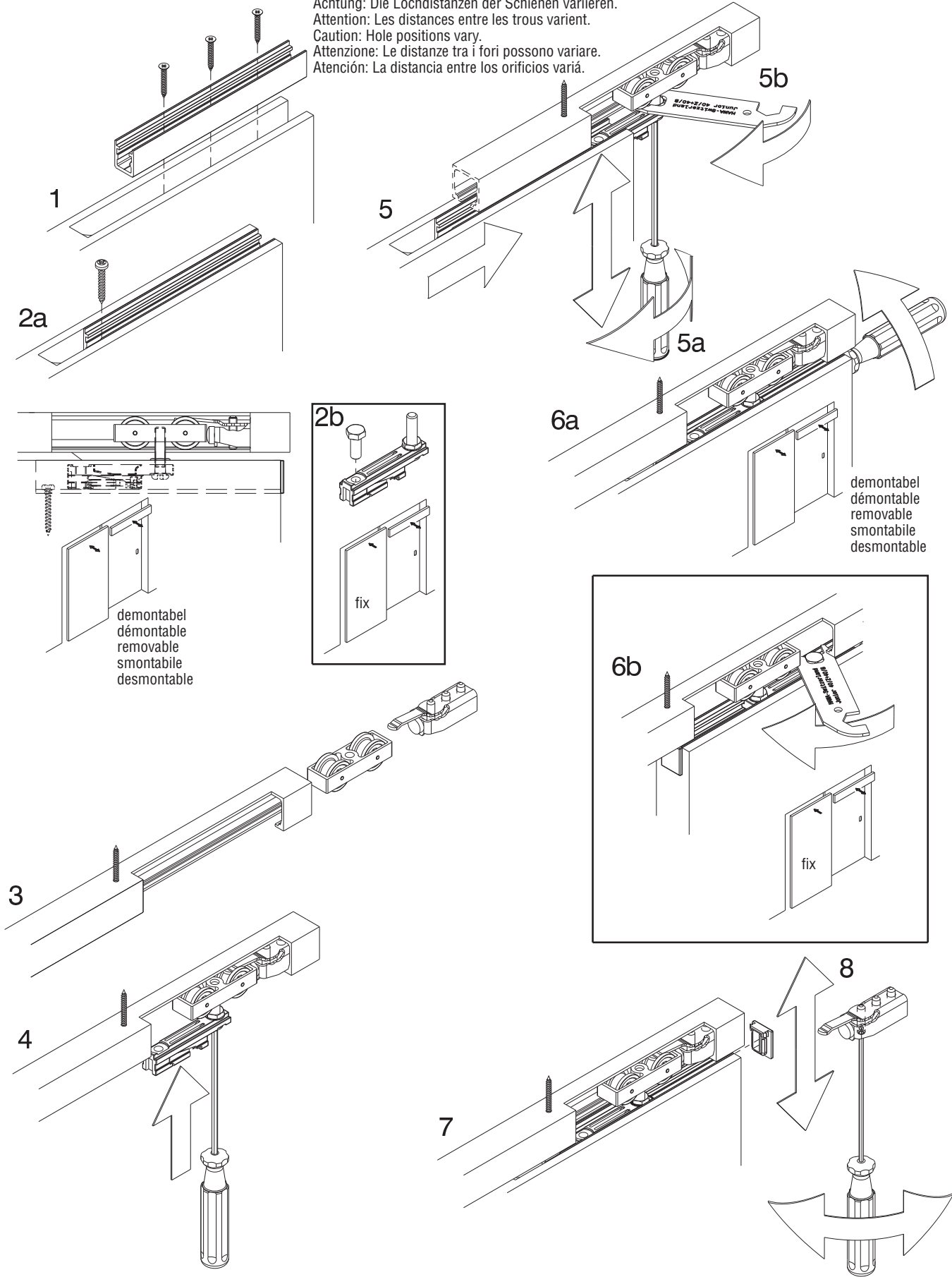
This drawing remains the property of Hawa AG and may not be sold, reproduced or made available to third parties. All of our catalogue drawings and special full scale installation drawings etc. represent installations using our hardware and fittings. No claims on the part of the customers can be considered which arise in connection with the use of these documents. For site or project-related design details any liability is declined.

Questo disegno è proprietà di Hawa AG e non può essere usato a scopo di lucro, riprodotto e reso accessibile a terzi. Tutti i nostri disegni del catalogo nonché i particolari disegni di montaggio in scala 1:1 ecc. rappresentano esempi per il montaggio delle nostre ferramenta. Eventuali rivendicazioni a seguito dell'utilizzo di questa documentazione non possono essere evidenziate da parte del cliente. Non assumiamo nessuna responsabilità per dettagli costruttivi che riguardano qualsiasi costruzione o progetto.

Este documento es propiedad de la empresa Hawa AG. Se excluye la venta y reproducción, al igual que el acceso a terceras personas. Los planos contenidos en nuestros catálogos, al igual que los planos especiales de montaje a escala 1:1 etc. representan ejemplos para el montaje de nuestros herrajes. Su uso no implica la deducción de derechos, cualquiera sea su naturaleza, por parte del cliente. No asumimos ninguna responsabilidad por los detalles constructivos relativos a la construcción o proyectos.

# HAWA - Junior 40/B

Achtung: Die Lochdistanzen der Schienen variieren.  
 Attention: Les distances entre les trous varient.  
 Caution: Hole positions vary.  
 Attenzione: Le distanze tra i fori possono variare.  
 Atención: La distancia entre los orificios varía.



demontable  
 démontable  
 removable  
 smontabile  
 desmontable

fix

demontable  
 démontable  
 removable  
 smontabile  
 desmontable

Technische Änderungen vorbehalten  
 Sous réserve de modifications techniques  
 Subject to modification

Con riserva di apportare modifiche tecniche  
 Bajo reserva de modificaciones técnicas