

KINVARO

L-80 parallel lift flap fitting



- Holds flap securely in any position
- Extremely smooth movement
- Adjustable spring force
- Integrated adjustable closing damper
- Flap 3-dimensionally adjustable – height, side, angle: direct adjustment ± 1.5 mm
- Allows the use of cornices, pelmets and attached lights
- Wide range of applications for many different flap materials
- Fast, tool-free clip fitting of the front
- Pre-assembled Euro screws and positioning pins for easy fixture of the fitting to the side wall
- Extremely strong
- Weight 1.9 to 14.6 kg
- Range of flaps:
Width: 450 – 1200 mm
Height: 350 – 600 mm
- Cover caps in white and grey, similar to RAL 7045

APPLICATION RANGE

Cabinet height	Guide lever	Flap weight incl. handle (kg)		
		Spring A	Spring B	Spring C
350 – 369	Type 1	2.5 – 6.5	6.0 – 9.5	–
370 – 389	Type 2	2.3 – 6.0	5.5 – 9.0	8.5 – 9.6
390 – 409	Type 3	2.1 – 5.5	5.0 – 8.5	8.0 – 10.1
410 – 429	Type 4	1.9 – 5.0	4.5 – 8.0	7.5 – 14.6
430 – 600	Type 5	2.0 – 4.5	4.0 – 7.5	7.0 – 14.6

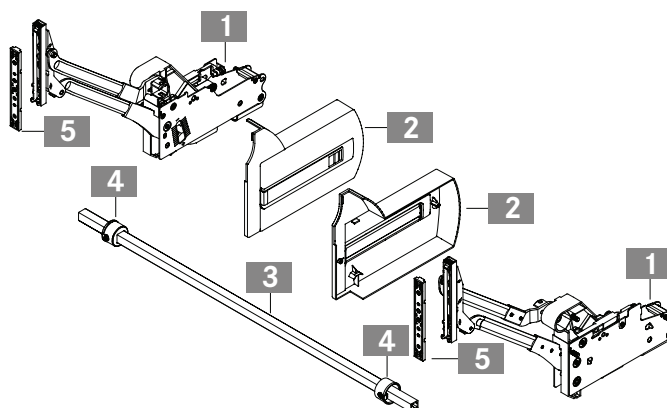
ORDER INFORMATION

Kinvaro L-80 set						
Cabinet height	Cover cap white			Cover cap grey		
	Spring A	Spring B	Spring C	Spring A	Spring B	Spring C
350 – 369	F152147781	F152147828	–	F152145248	F152147444	–
370 – 389	F152147824	F152147829	F152147833	F152147440	F152145249	F152145250
390 – 409	F152147825	F152147830	F152147834	F152147441	F152145251	F152145252
410 – 429	F152147826	F152147831	F152147835	F152147442	F152145281	F152145282
430 – 600	F152147827	F152147715	F152147788	F152147443	F152145253	F152145254

Aluminium frame adapter, Kinvaro L-80 set		
Designation	Overlay	Art.-no.
Aluminium frame adapter (2x) for narrow aluminium frames (19 mm) with fixing screws (16x)	13 – 17	F152145055

Kinvaro L-80 set comprises:

- 1** Fitting, right and left (1x)
 - 2** Cover caps on right and left (1x)
 - 3** 1090 mm cross bar for cutting to length (1x)
 - 4** Sliding sleeves (2x)
 - 5** Mounting plates (2x)
- Paper template (1x)
Installation instructions (1x)



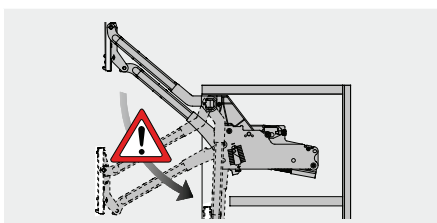
Assembly aids	50
Kinvaro L-80 adjustment options	38

ASSEMBLY AND INSTALLATION INSTRUCTIONS

All dimensions in millimetres

<p>Required space</p>	<p>Side wall drilling positions</p>	<p>Side wall drilling distance</p> <table border="1"> <thead> <tr> <th>Type</th> <th>min. LHK</th> <th>D1</th> <th>D2</th> </tr> </thead> <tbody> <tr> <td>1</td> <td>312</td> <td>161</td> <td>304</td> </tr> <tr> <td>2</td> <td>332</td> <td>176</td> <td>337</td> </tr> <tr> <td>3</td> <td>352</td> <td>191</td> <td>370</td> </tr> <tr> <td>4</td> <td>372</td> <td>206</td> <td>403</td> </tr> <tr> <td>5</td> <td>392</td> <td>221</td> <td>436</td> </tr> </tbody> </table> <p>Cornice projection</p> <table border="1"> <thead> <tr> <th>F</th> <th>KP max.</th> </tr> </thead> <tbody> <tr> <td>2</td> <td>22</td> </tr> <tr> <td>3</td> <td>35</td> </tr> <tr> <td>4</td> <td>39</td> </tr> </tbody> </table>	Type	min. LHK	D1	D2	1	312	161	304	2	332	176	337	3	352	191	370	4	372	206	403	5	392	221	436	F	KP max.	2	22	3	35	4	39
Type	min. LHK	D1	D2																															
1	312	161	304																															
2	332	176	337																															
3	352	191	370																															
4	372	206	403																															
5	392	221	436																															
F	KP max.																																	
2	22																																	
3	35																																	
4	39																																	
<p>Front: installation for flaps with standard aluminium frame profiles (19 mm)</p>	<p>Front: installation for wooden and frame flaps (min. 45 mm width)</p> <p>* Pre-drilling required - Ø 2 mm</p>	<p>Front: drilling distance</p> <table border="1"> <thead> <tr> <th>KH</th> <th>Type</th> <th>X</th> </tr> </thead> <tbody> <tr> <td>350 - 369</td> <td>1</td> <td>190</td> </tr> <tr> <td>370 - 389</td> <td>2</td> <td>210</td> </tr> <tr> <td>390 - 409</td> <td>3</td> <td>230</td> </tr> <tr> <td>410 - 429</td> <td>4</td> <td>250</td> </tr> <tr> <td>430 - 600</td> <td>5</td> <td>270</td> </tr> </tbody> </table> <p>Cutting dimensions Cross bar</p>	KH	Type	X	350 - 369	1	190	370 - 389	2	210	390 - 409	3	230	410 - 429	4	250	430 - 600	5	270														
KH	Type	X																																
350 - 369	1	190																																
370 - 389	2	210																																
390 - 409	3	230																																
410 - 429	4	250																																
430 - 600	5	270																																
<p>Calculation of flap weight</p> <p>Flap width x flap height x flap thickness x density¹ + weight of handle² = weight of flap</p> <p>¹ Densities: MDF 0.85 kg/dm³, chipboard 0.65 kg/dm³, spruce/pine 0.45 kg/dm³</p> <p>² For bar handles allow 0.1 kg for each 100 mm handle width. We recommend a trial fitting</p>																																		

WARNING



Important!
Caution - risk of injury!
Fitting is spring-tensioned!

LEGEND

- D Distance
- F Reveal
- FAO Front overlay, top
- FAS Front overlay, side
- KH Cabinet height
- KP Cornice
- LHK Inside cabinet height
- LWK Inside cabinet width