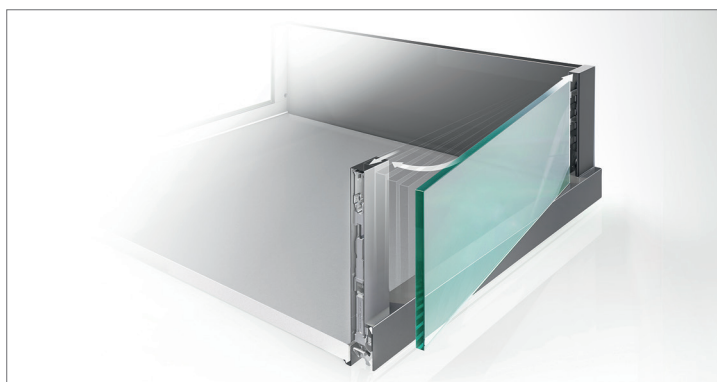


NEW: GLASS SLIDE-IN ELEMENTS IN SET FOR NOVA PRO SCALA CRYSTAL PLUS



TECHNICAL INFORMATION

- Complete solution: Glass set and glass drawer can be ordered from a single source
- Glass set for Nova Pro Scala Crystal Plus in nominal lengths of 400-550 mm
- Choice between white glass (clear glass) and grey glass (grey-tinted, similar to Parsol grey)
- Certified single-pane safety glass (ESG) In line with DIN EN 12150
- Reduced risk of injury due to increased impact and shock resistance of the glass
- Transport-safe packaging for the glass set (e.g. with DPD)

AVAILABILITY

Available to order: from mid-October 2025

GLASS SLIDE-IN ELEMENTS CAN BE INSTALLED WITHOUT TOOLS DUE TO PATENTED CLIP TECHNOLOGY.

SIMPLY SLIDE IN. CLICK. DONE!

ASSEMBLY VIDEO



ORDER INFORMATION

Nova Pro Scala Crystal Plus
Glass slide-in element set (side)

Thickness: 8 mm

Material: Single-pane safety glass (ESG); corners and edges chamfered and polished

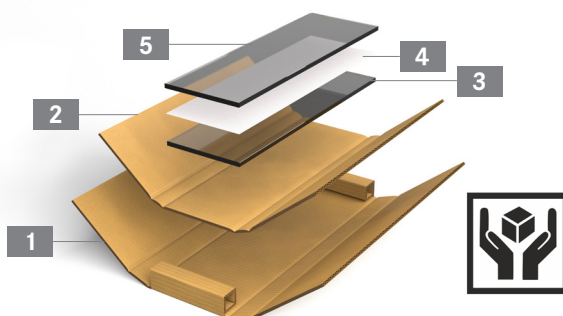
NL	Length in mm	Height in mm	White glass (clear glass)		Grey glass (grey-tinted, similar to Parsol grey)	
			Item No.	PU	Item No.	PU
400	328	140	F102134624	201	F102134628	201
450	378	140	F102134625	201	F102134629	201
500	428	140	F102134626	201	F102134630	201
550	478	140	F102134627	201	F102134631	201

Packaging unit (PU):
201 = 1 set in cardboard box

Type of packaging: Shipping packaging for distributor
Note: Further packaging possible on request

PACKAGING

- 1 Outer cardboard box
- 2 Inner cardboard box for protection during transportation
- 3 Left glass element
- 4 Plastic film to protect the glass
- 5 Right glass element

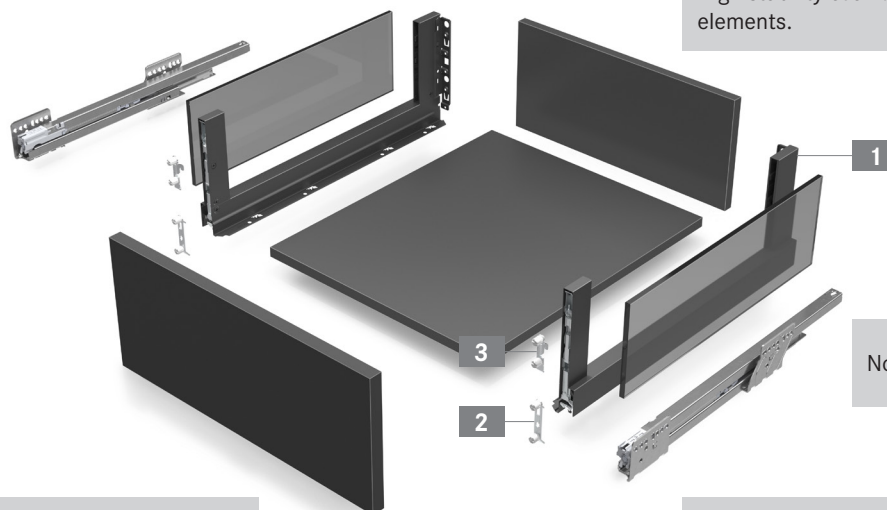


NOVA PRO CRYSTAL PLUS

Only 10 components required for glass drawer - simple, fast installation!

No machining of the glass slide-in elements required.

High stability even without front and slide-in elements.



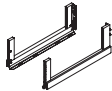
Nova Pro slide, 40/70 kg.

Integrated height, side and tilt adjustment.

No tools required for installation and removal of the glass element and the front.

ORDER INFORMATION

1 Nova Pro Scala Crystal Plus drawer sides Ice



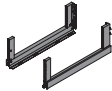
NL	Ice left, right	Ice Left	Ice Right	
400	F100104760	F100104761	F100104762	
450	F100104763	F100104764	F100104765	
500	F100104766	F100104767	F100104768	
550	F100104769	F100104770	F100104771	

1 Nova Pro Scala Crystal Plus drawer sides Silver




NL	Silver left, right	Silver Left	Silver Right	
400	F100104787	F100104788	F100104789	
450	F100104790	F100104791	F100104792	
500	F100104793	F100104794	F100104795	
550	F100104796	F100104797	F100104798	

1 Nova Pro Scala Crystal Plus drawer sides Stone




NL	Stone left, right	Stone Left	Stone Right	
400	F100104733	F100104734	F100104735	
450	F100104736	F100104737	F100104738	
500	F100104739	F100104740	F100104741	
550	F100104742	F100104743	F100104744	

1 Nova Pro Scala Crystal Plus drawer sides Zircon




NL	Zircon left, right	Zircon Left	Zircon Right	
400	F100130890	F100130891	F100130892	
450	F100133410	F100133411	F100133412	
500	F100130893	F100130894	F100130895	
550	F100133413	F100133414	F100133415	

**2 Installation hook
Piece: Left or right**



BLA	Fastening material	Art. no.
32	Anchor (pre-assembled)	F102021854
32	Expansion anchors (pre-assembled)	F102117719
32/50	Screw (excl.)	F102021855
50	Anchor (pre-assembled)	F102021153
50	Expansion anchors (pre-assembled)	F102117720

**3 Front clip
Piece: Left or right**



BLA	Fastening material	Art. no.
32	Screw (excl.)	F102104833
32	Anchor (pre-assembled)	F102104834
32	Expansion anchors (pre-assembled)	F102104835