

# KINVARO

## S-35 up-and-over flap fitting



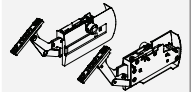
- Securely holds flap in any position from 45° opening angle
- Extremely smooth movement
- Adjustable spring force
- Integrated adjustable closing damper
- Flap 3-dimensionally adjustable – height, side, angle: direct adjustment  $\pm 1.5$  mm
- Allows the use of cornices, pelmets and attached lights
- Wide range of applications for many different flap materials
- Fast, tool-free clip fitting of the front
- Pre-assembled Euro screws and positioning pins for easy fixture of the fitting to the side wall
- Extremely strong
- Weight 1.5 to 17.5 kg
- Range of flaps:  
Width: 450 – 1200 mm  
Height: 420 – 750 mm
- Cover caps in white and grey, similar to RAL 7045

### APPLICATION RANGE

Cabinet height	Flap weight incl. handle (kg)				
	Spring A	Spring B	Spring C	Spring D	Spring E
420 – 449	1.5 – 7.5	5.0 – 11.0	-	-	-
450 – 479	1.8 – 7.5	5.0 – 12.0	-	-	-
480 – 509	1.8 – 6.5	5.0 – 12.5	-	-	-
510 – 539	2.0 – 6.0	5.0 – 13.0	-	-	-
540 – 569	2.0 – 6.0	5.0 – 12.5	6.0 – 14.0	-	-
570 – 599	2.0 – 6.0	5.0 – 11.0	5.5 – 12.0	11.5 – 14.5	-
600 – 629	2.0 – 5.5	4.5 – 10.0	5.5 – 11.5	10.5 – 15.5	-
630 – 659	2.0 – 5.5	-	4.5 – 11.0	8.5 – 16.0	-
660 – 689	2.0 – 5.0	-	4.0 – 10.0	7.5 – 15.0	12.0 – 16.5
690 – 719	2.0 – 5.0	-	4.0 – 8.5	6.5 – 13.5	12.0 – 17.5
720 – 750	-	-	4.0 – 8.0	6.5 – 12.5	10.0 – 17.0

### ORDER INFORMATION

#### Kinvaro S-35 set



Cabinet height	Spring A	Spring B	Spring C	Spring D	Spring E
<b>Cover caps white</b>					
420 – 750	<b>F152147818</b>	<b>F152147819</b>	<b>F152147820</b>	<b>F152147821</b>	<b>F152147822</b>
<b>Cover caps grey</b>					
420 – 750	<b>F152000255</b>	<b>F152000256</b>	<b>F152000257</b>	<b>F152000258</b>	<b>F152000259</b>

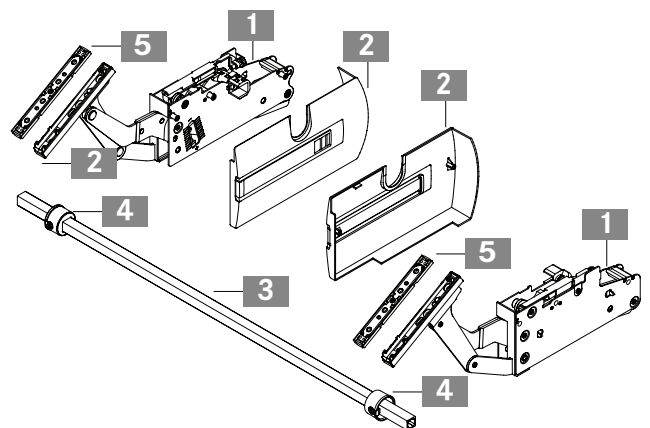
#### Aluminium frame adapter, Kinvaro S-35 set



Designation	Overlay	Art.-no.
Aluminium frame adapter (2x) for narrow aluminium frames (19 mm) with fixing screws (16x)	13 – 17	<b>F152145055</b>

#### Kinvaro S-35 set comprises:

- 1 Fitting, right and left (1x)
  - 2 Cover caps on right and left (1x)
  - 3 1090 mm cross bar for cutting to length (1x)
  - 4 Sliding sleeves (2x)
  - 5 Mounting plates (2x)
- Paper template (1x)  
Installation instructions (1x)



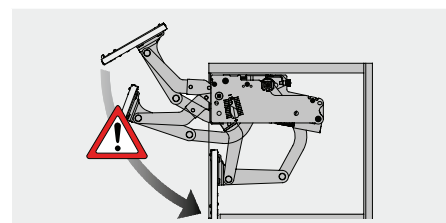
Assembly aids	50		
Kinvaro S-35 adjustment options	39		

ASSEMBLY AND INSTALLATION INSTRUCTIONS

All dimensions in millimetres

<p>Required space</p>	<p>Side wall drilling positions</p>
<p>Front: installation for flaps with standard aluminium frame profiles (19 mm)</p>	<p>Front: installation for wooden and frame flaps (min. 45 mm width)</p>
<p>Calculation of flap weight</p> <p>Flap width x flap height x flap thickness x density<sup>1</sup> + weight of handle<sup>2</sup> = weight of flap</p> <p><sup>1</sup> Densities: MDF 0.85 kg/dm<sup>3</sup>, chipboard 0.65 kg/dm<sup>3</sup>, spruce/pine 0.45 kg/dm<sup>3</sup></p> <p><sup>2</sup> For bar handles allow 0.1 kg for each 100 mm handle width. We recommend a trial fitting</p>	

WARNING



**Important!**  
**Caution - risk of injury!**  
**Fitting is spring-tensioned!**

LEGEND

FAO Front overlay, top  
FAS Front overlay, side  
LWK Inside cabinet width