

# KINVARO

## T-65 lift-up flap fitting



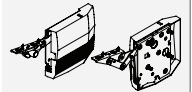
- Variable opening angle - holds flap securely at any angle between 45° and 100°
- Extremely comfortable opening thanks to spring-supported opening mechanism
- Adjustable spring force
- Integrated adjustable closing damper
- Adjustable flap height ±3.0 mm
- No hinges fitted to the top panel
- Allows additional cabinet installation above
- Can be used for wooden flaps or aluminium frames with glass infill
- Weight 0.7 to 7.4 kg
- Range of flaps:  
Width: to 1200 mm  
Height: 250 – 600 mm
- Cover caps in white and grey, similar to RAL 7045

### APPLICATION RANGE

Cabinet height	Flap weight incl. handle (kg)		
	Spring on one side yellow	Spring on both sides yellow	Spring on both sides black
250	0.9 – 2.1	1.8 – 4.2	2.4 – 7.4
300	0.7 – 1.7	1.4 – 3.4	2.0 – 6.3
350	-	1.0 – 2.9	1.7 – 5.4
400	-	0.8 – 2.5	1.5 – 4.7
450	-	0.7 – 2.2	1.3 – 4.2
500	-	0.6 – 2.0	1.3 – 3.9
550	-	-	1.3 – 3.4
600	-	-	1.3 – 3.1

### ORDER INFORMATION

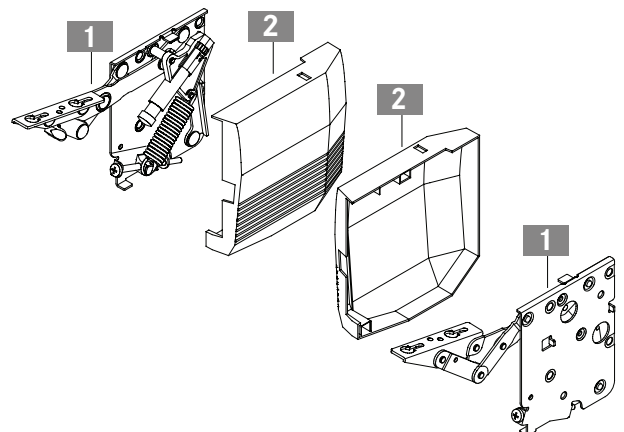
#### Kinvaro T-65 set



Designation	Springs	Version for	Overlay	Art.-no.	
				Cover cap white	Cover cap grey
Kinvaro T-65 on right without damper and on left with damper, pre-assembled springs black, incl. cover caps, 2 loose yellow springs	Black/yellow	wood	variable	<b>F15 1147797</b>	<b>F15 1147682</b>
		aluminium	13	<b>F15 1147798</b>	<b>F15 1147678</b>
			14	<b>F15 1147799</b>	<b>F15 1147679</b>
			16	<b>F15 1147800</b>	<b>F15 1147680</b>
			17	-	<b>F15 1147681</b>

#### Kinvaro T-65 set comprises:

- 1 Fitting on the right without and on the left with damper (1x)
  - 2 Cover caps on right and left (1x)
- Springs, yellow, loose (2x)  
Paper template (1x)  
Installation instructions (1x)



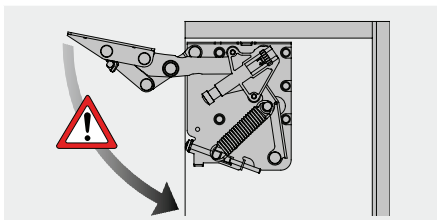
Assembly aids	50				
Kinvaro T-65 adjustment options	40				

**ASSEMBLY AND INSTALLATION INSTRUCTIONS**

All dimensions in millimetres

<p><b>Required space</b></p>	<p><b>Side wall drilling positions</b></p>
<p><b>Front: installation for flaps with standard aluminium frame profiles (19 mm)</b></p> <p style="text-align: right;">* Standard aluminium frame profile (19 mm)</p>	<p><b>Front: installation for wooden and frame flaps (min. 45 mm width)</b></p> <p style="text-align: right;">* Pre-drilling required - Ø 2 mm</p>
<p><b>Calculation of flap weight</b></p> <p>Flap width x flap height x flap thickness x density<sup>1</sup> + weight of handle<sup>2</sup> = weight of flap</p> <p><sup>1</sup> Densities: MDF 0.85 kg/dm<sup>3</sup>, chipboard 0.65 kg/dm<sup>3</sup>, spruce/pine 0.45 kg/dm<sup>3</sup></p> <p><sup>2</sup> For bar handles allow 0.1 kg for each 100 mm handle width. We recommend a trial fitting</p>	

**WARNING**



**Important!**  
**Caution - risk of injury!**  
**Fitting is spring-tensioned!**

**LEGEND**

F Reveal  
FAS Front overlay, side