

KINVARO

T-Slim lift-up flap fitting for wide wooden fronts (inset)



- Flush inset flap fitting for high design requirements and maximum storage space
- Additional fitting for wide fronts
- Milling depth: cabinet side: 12.2 mm, front: 13.7 mm
- Low opening forces and multi-position stop
- Convenient adjustment of the spring force
- Fast, tool-free clip fitting of the front
- Flap with 3-dimensional adjustment of height ± 2.5 mm, side ± 2.0 mm, depth $+3.0$ mm / -1.0 mm
- 107 degrees opening angle
- Integrated, opening angle reduction clip with optional activation (75°)
- Can be used for flaps made from wood
- Cover caps and adapters in Stone, Ice and Silver (all cover caps can be painted)

Available in two versions:

- With integrated damping (Soft-close, damper can be switched on/off)
- With integrated automatic opening system (Tipmatic Plus)

ORDER INFORMATION

Kinvaro T-Slim set for flaps made from wood

Set: Fitting (1x left/2x right), front connection (1x left/2x right), cover cap (3x left/6x right), screws (18x)



Power factor (LF)	Soft-close			Tipmatic Plus		
	Stone	Ice	Silver	Stone	Ice	Silver
1500 - 3375	F151149027	F151149029	F151149028	F151149024	F151149026	F151149025

Power factor (LF) = flap height (mm) x (flap weight (kg) + 2 x handle weight (kg))

Cover caps can be painted

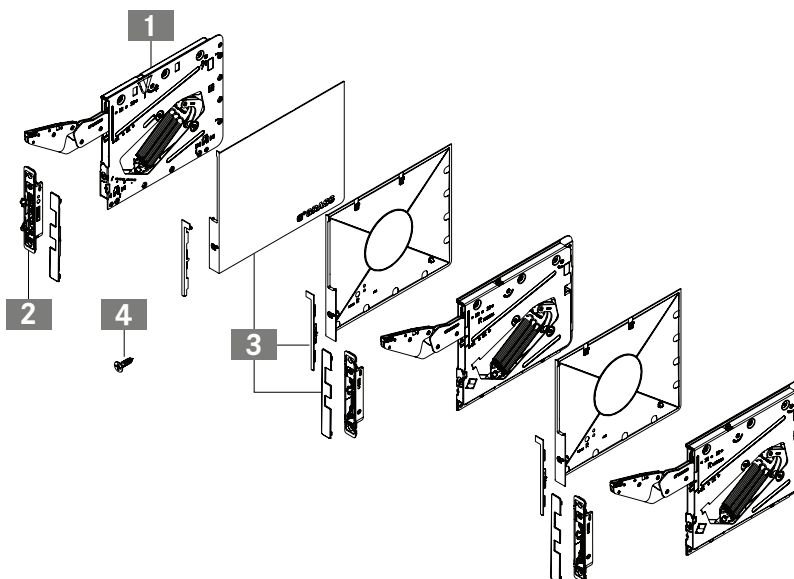
Tipmatic Pin see page 60



Kinvaro-T-Slim set consisting of:

- 1 Fitting left (1x) and right (2x)
- 2 Front connection left (1x) and right (2x)
- 3 Cover caps left (3x) and right (6x)
- 4 Screws (18x)

Installation instructions (1x)



Assembly aids	78
Kinvaro T-Slim adjustment options	62

Individual components	32
-----------------------	----

--	--

ASSEMBLY AND INSTALLATION INSTRUCTIONS

All dimensions in millimetres

<p>Required space</p>	<p>Tipmatic Pin</p>
<p>Side wall milling position</p>	<p>Front milling position</p>
<p>Calculation of power factor (LF) Flap height (mm) x {flap weight (kg) + 2 x handle weight (kg)}</p>	

CORNICE

REVEAL

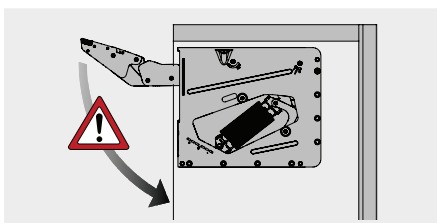
FLAP WEIGHT

Flap thickness (KLS)	Cabinet top panel (KOB)					
	16	18	19	20	22	24
16	67	74	77	80	87	94
18	60	67	70	73	80	87
19	57	64	67	70	77	84
20	54	60	63	67	73	80
21	50	56	60	63	69	76
22	47	53	57	60	66	73
24	40	46	50	53	60	67
26	33	40	43	46	53	60
32	12	19	22	25	32	38
Cornice (KP)						

Flap thickness (KLS)	Front overlay, top (FAO)				
	15	17	19	21	22
16	1	1	1	1	1
18	1	1	1	1	1
19	1	1	1	1	1
20	1	1	1	1	1
21	1	1	1	1	1
22	1	1	1	1	1
24	1.5	1	1	1	1
26	3	2.5	1.5	1	1
32	8	7	6	5.5	5
Reveal (F)					

Flap height (KLH)	Power factor (LF)	
	1500 - 3375	
200	7.5 - 16.9	
250	6.0 - 13.5	
300	5.0 - 11.3	
350	4.3 - 9.6	
400	3.8 - 8.4	
450	3.3 - 7.5	
500	3.0 - 6.8	
550	2.7 - 6.1	
Flap weight in kg		

WARNING



Important!
Caution - risk of injury!
Fitting is spring-tensioned!

LEGEND

- F Reveal
- FAO Front overlay, top
- FAS Front overlay, side
- FH Front height
- KB Cabinet width
- KLS Flap thickness
- KOB Cabinet top panel
- KP Cornice
- LF Power factor

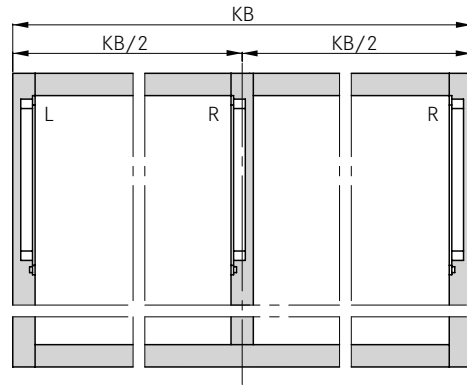
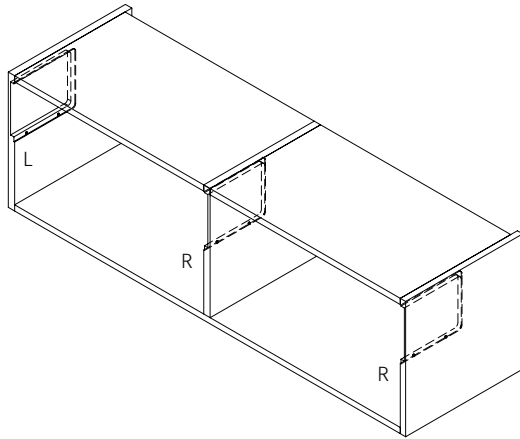
KINVARO

T-Slim lift-up flap fitting for wide wooden fronts (inset)

ASSEMBLY AND INSTALLATION INSTRUCTIONS

All dimensions in millimetres

Position for third fitting



Assembly aids	78
Kinvaro T-Slim adjustment options	62

Individual components	32
-----------------------	----
