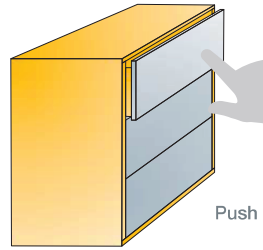
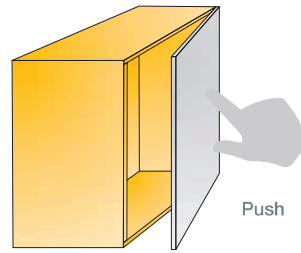


Push Latch

For wood doors and drawers



Push latch



Push latch



Cross mounting plate

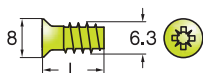


Linear mounting plate

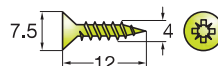
	Spring force N (released)	Spring force N (loaded)	Item number	Bronze
Push latch	10	20	915-0X59 →	381
Push latch	13	27	915-0320 →	381
Linear m. plate			915-4175 →	381
Cross m. plate			915-4183 →	381
<p>915-0X59-381-K1</p> <p>200 Sets</p>				
<p>915-0X59-381-K2</p> <p>200 Sets</p>				

200 Pcs Made of steel and plastic

Fixing screws for mounting plates



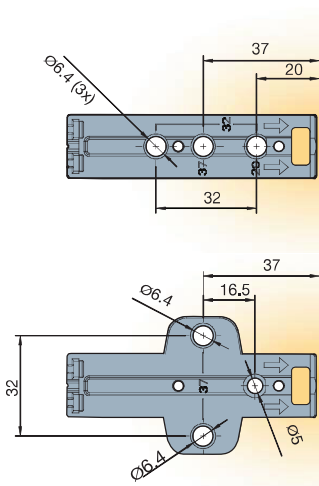
Euro screws
821-6323-050
 10000 Pcs



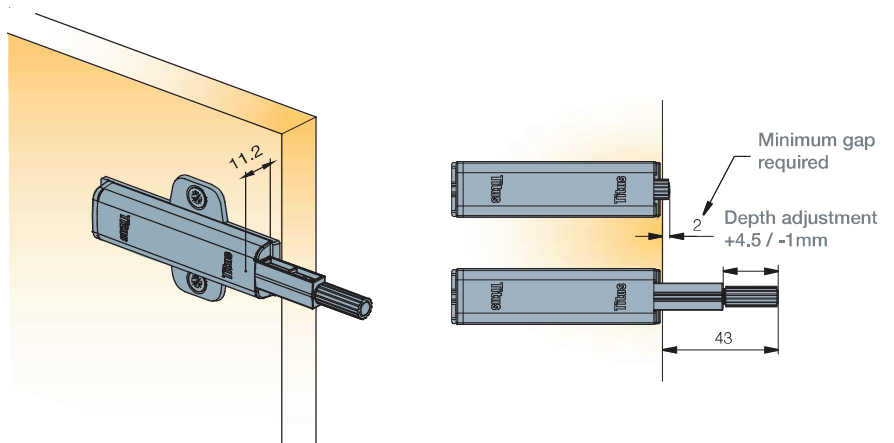
Chipboard screws

- Works with standard concealed hinges and drawers
- Effortless opening with just a light touch
- Depth adjustment ensures reliable closing and consistent performance in cases of inaccurate drilling
- 'Safety click' feature for easy detachment of the mechanism from the mounting plate

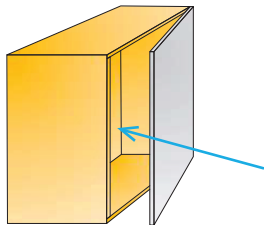
Drilling pattern



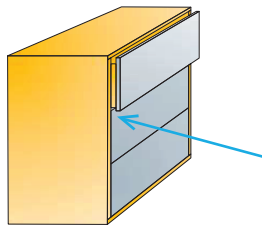
Dimensions



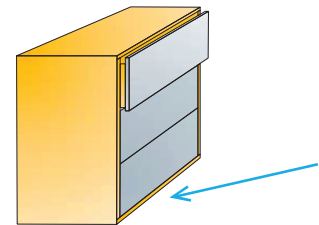
Positioning



Close to the 'touch opening point' on the side opposite to hinges



On the cabinet side; gap between drawer and cabinet side = min 12mm



On the drawer bottom; in the middle of drawer

Push latch works with standard hinges.

Push latch works on drawer; the gap between the drawer and the cabinet side = min. 12 mm