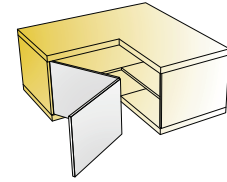


T-type

for Pie-cut Corner Cabinet

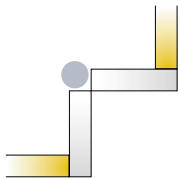
For wood doors



- Opening angle 70°
- Drilling diameter for hinge cup 35mm
- Drilling depth 11mm
- Hinge on plate mounting system 3Way snap-on



Corner cabinet



	Interaxis 45mm	Interaxis 48mm
Cup type	Item number	Item number
	721-0PK0-650	721-0PL0-650
	721-0PK4-650	721-0PL4-650

Drilling patterns for hinge cups → see page 2.17

100 Pcs

Cup made of zinc, arm made of steel

Mounting plates



Cam adjustable cruciform mounting plate
→ see page 2.81



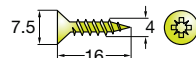
Cruciform mounting plate
→ see page 2.83



Cam adjustable linear mounting plate
→ see page 2.81

Hinge cup screws

If not pre-mounted



820-6328-050

10000 Pcs

Accessories



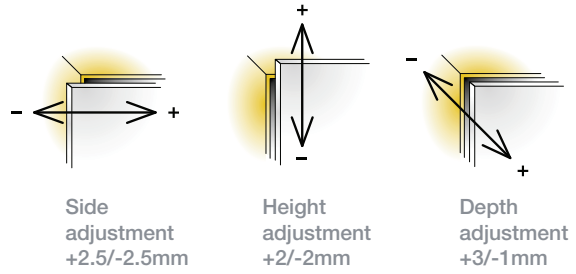
Cover caps for hinge arm
→ see page 2.177

Legend of hinge cup symbols

Screw-on ready
 EasyFix
 ← screws

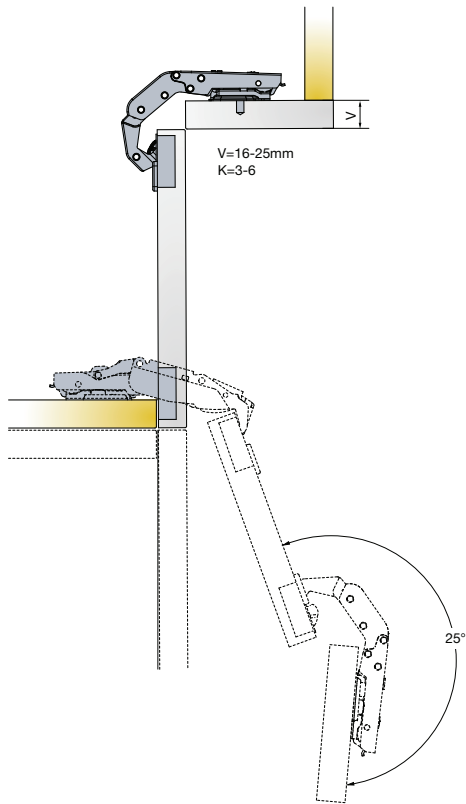


Door adjustment

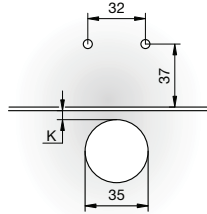


For further explanation → see pages 2.22-2.24

Mounting details

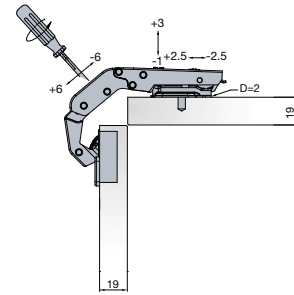


Mounting plate drilling distance

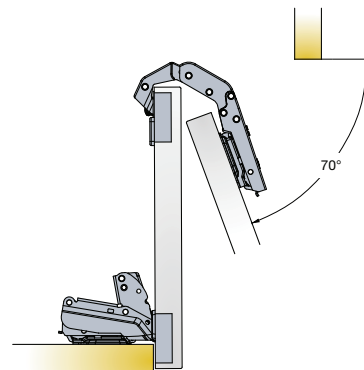


Any T-type mounting plate can be used

Adjustments



The adjustment of the gap between two doors is done by rotating the adjustment screw as shown on the drawing



Touch opening



PushOpen Solutions
→ see pages 2.199-2.204