

KINVARO

T-Slim lift-up flap fitting for aluminium-framed fronts (inset)



- Flush inset flap fitting for high design requirements and maximum storage space
- Front connection for combination with aluminium frame (please order separately)
- Milling depth: cabinet side: 12.2 mm
- Low opening forces and multi-position stop
- Convenient adjustment of the spring force
- Fast, tool-free clip fitting of the front
- Flap with 3-dimensional adjustment of height ± 2.5 mm, side ± 2.0 mm, depth $+3.0$ mm / -1.0 mm
- 107 degrees opening angle
- Integrated, opening angle reduction clip with optional activation (75°)
- Three different power factors
- Cover caps and adapters in Stone, Ice and Silver (all cover caps can be painted)

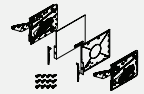
Available in two versions:

- With integrated damping (Soft-close, damper can be switched on/off)
- With integrated automatic opening system (Tipmatic Plus)

ORDER INFORMATION

Kinvaro T-Slim set without front connection

Set: Fitting (1x left/1x right), cover cap (2x left/2x right), screws (12x)



Power factor (LF)	Soft-close			Tipmatic Plus		
	Stone	Ice	Silver	Stone	Ice	Silver
250 - 550	F151149038	F151149040	F151149039	F151149047	F151149049	F151149048
500 - 1100	F151149041	F151149043	F151149042	F151149050	F151149052	F151149051
1000 - 2250	F151149044	F151149046	F151149045	F151149053	F151149055	F151149054

Power factor (LF) = flap height (mm) x (flap weight (kg) + 2 x handle weight (kg))

Cover caps can be painted

Kinvaro T-Slim accessory set for aluminium frames

Set: Front connection (1x left/1x right), corner connectors (1x left/1x right), screws (10x)



Art.-no.				
F161149100				

Kinvaro T-Slim cover cap for front connection (1x left/1x right)



Black				
F161149081				

Cover caps can be painted

Tipmatic Pin see page 60

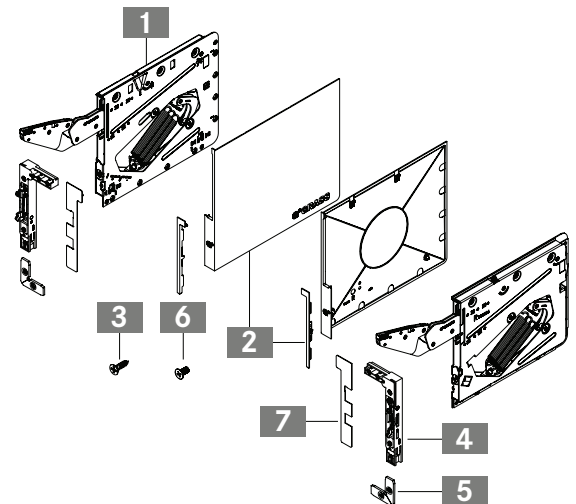


Kinvaro-T-Slim set consisting of:

- 1 Fitting left and right (1x)
 - 2 Cover caps left and right (2x)
 - 3 Screws (12x)
- Installation instructions (1x)

Accessories and cover cap for aluminium frames consisting of:

- 4 Front connection left and right (1x)
- 5 Corner connector left and right (1x)
- 6 Screws (10x)
- 7 Cover cap for front connection left and right (1x)



Assembly aids	78	Aluminium frame	31		
Kinvaro T-Slim adjustment options	62	Individual components	32		

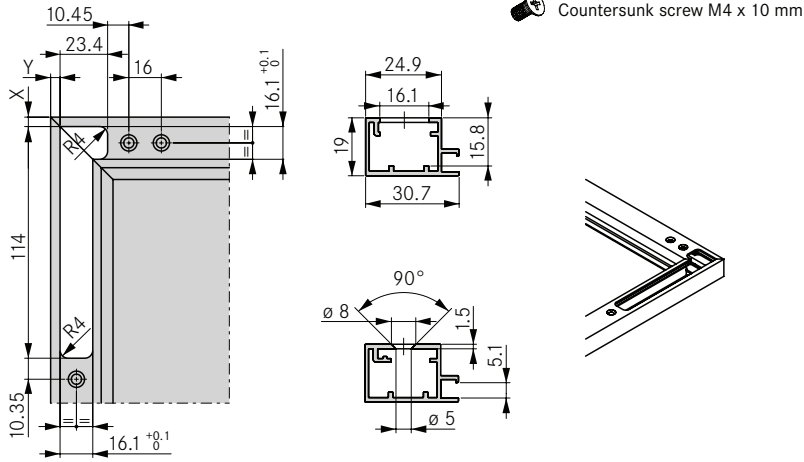
KINVARO

T-Slim lift-up flap fitting for aluminium-framed fronts (inset)

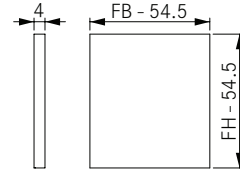
ASSEMBLY AND INSTALLATION INSTRUCTIONS

All dimensions in millimetres

Milling position aluminium frame front connection

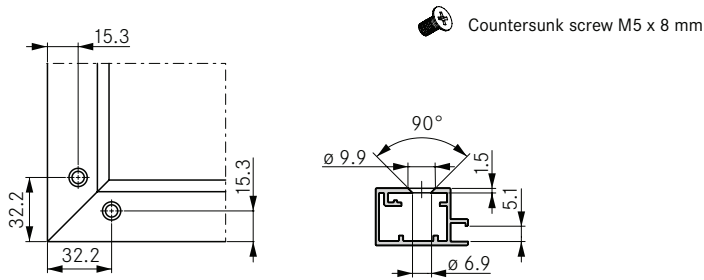


Cut glass



All dimensions without tolerance ± 0.1

Drilling position aluminium frame corner connector



FRONT OVERLAY, TOP

FRONT OVERLAY, SIDE

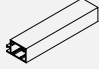
	X			
Front overlay, top (FAO)	14	4.65		
	15	5.65		
	16	6.65		
	17	7.65		


	Y			
Front overlay, side (FAS)	14	4.65		
	15	5.65		
	16	6.65		
	17	7.65		


Assembly aids	78
Kinvaro T-Slim adjustment options	62

Individual components	32

ALUMINIUM FRAME ORDERING INFORMATION

Aluminium profile from Schüco suitable for Kinvaro T-Slim, length: 5000 mm			
Schüco art.-no.			
Stainless steel	Black	Inox	
980037.64.00	980037.65.00	980037.67.00	

Schüco corner connector for aluminium profile		
Designation		Schüco art.-no.
Corner connector for glass frames		550484.98.00

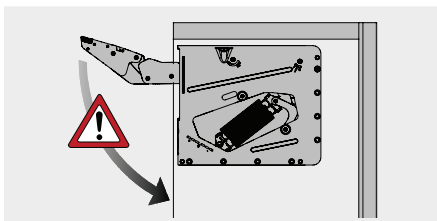
Countersunk screw for Schüco corner connectors		
Designation		Schüco art.-no.
Countersunk screw M5 x 8 mm, DIN 965, PH2, nickel-plated		511571.00.00

Rattle protection for Schüco aluminium profile		
Designation		Schüco art.-no.
Rattle protection		532917.00.00

NOTE

Aluminium frames and accessories can be ordered from the trade, quoting the respective Schüco article number. The trade also supplies precisely dimensioned prefabricated glass aluminium frames.

WARNING



Important!
Caution - risk of injury!
Fitting is spring-tensioned!

LEGEND

FAO Front overlay, top
FAS Front overlay, side
FB Front width
FH Front height