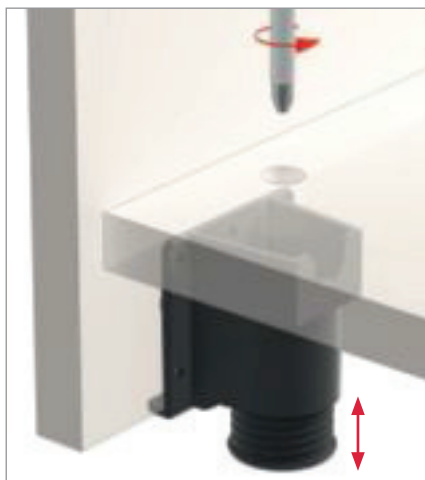
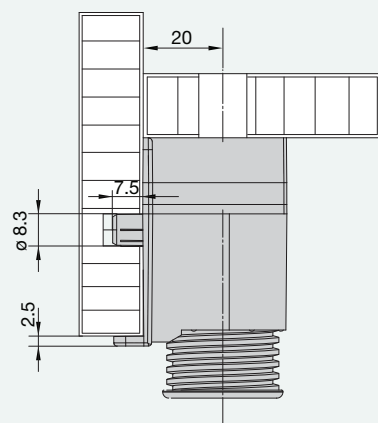


## Height adjusters (heavy weight version)



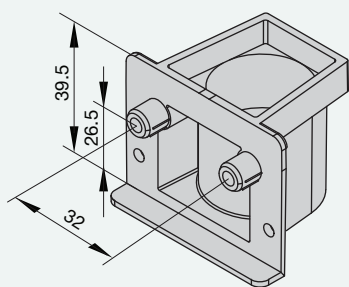
Application example for article 576650



### Height adjuster for through running side panels (heavy weight version)

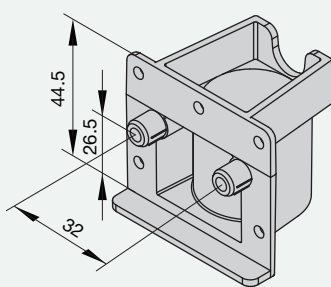
- optimum load capacity through the side panel and the cupboard floor
- height adjustment with hex wrench or for slot screw driver
- dowelling and screwing version
- plinth height 40, 45, 50 and 60 mm, further heights in progress
- transport protection of the side panel

On request the height adjusters can be delivered completely assembled including adjustment screw.



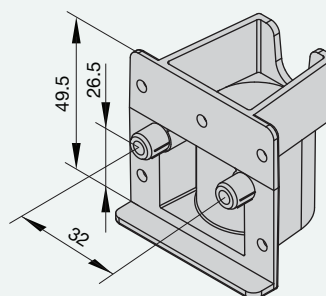
stock article  
500 pcs.

**576640**  
Height adjuster housing carcass  
40 mm



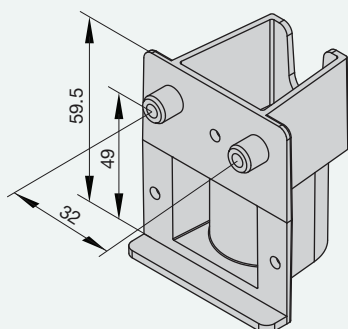
stock article  
500 pcs.

**576645**  
Height adjuster housing carcass  
45 mm



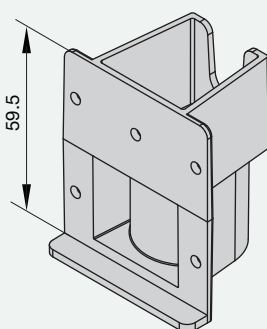
stock article  
400 pcs.

**25600**  
**576650**  
Height adjuster housing carcass  
50 mm



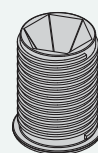
stock article  
300 pcs.

**576660**  
Height adjuster housing carcass  
60 mm

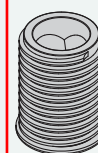


stock article  
300 pcs.

**576661**  
Height adjuster housing carcass  
60 mm,  
for screwing



**576701**  
**25601**



**576702**

stock article  
1.250 pcs.  
stock article  
1.250 pcs.

**576701**  
Adjuster screw  
for hex wrench SW8  
**576702**  
Adjuster screw  
for slot screw driver

Articles not to scale