



LAMP LIFT-ASSIST STAY EZS-ELAN



Opening Direction	Features	Door Material	Door Weight
	Lift-assist Free stop Soft-close	Wood	5~12.5 kg/set

- For upward-opening flap doors.
- Equipped with:
 - Lift assist (to make flap doors feel lighter)
 - Free stop (holds position at any angle from 30° to 70°)
 - Soft-closing (slows down closing speed to prevent slamming between 0° and 20°)
- 2011 Good Design Award Winner
- Placed at the top of interior of the cabinet, significantly reducing dead space and not getting in the way when installing shelves.
- No hinges or connecting bars are needed.
- Easy alignment: Simply press the body to the top of the interior of the cabinet and align the front flush with the cabinet.
- Fast and easy installation: Body is attached to mounting plate (on flap) by simply snapping it in.
- If flap is within specification, does not require torque adjustment post-installation.

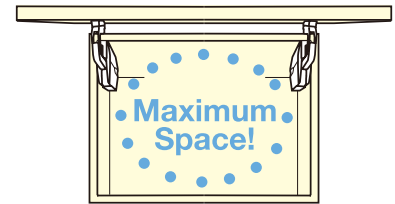
INSTRUCTION SCREW

Remarks

- Used in pairs.

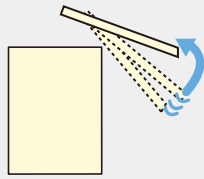
Parts Included

- Mounting plate (2 pcs)
- Countersunk head tapping screw 3.5x38 for main body (6 pcs)
- Binding head tapping screw 3.5x15 for mounting plate (4 pcs)

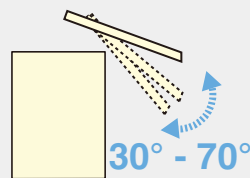


3 Functions in 1 Stay

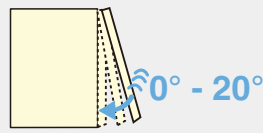
1. Lift-assist



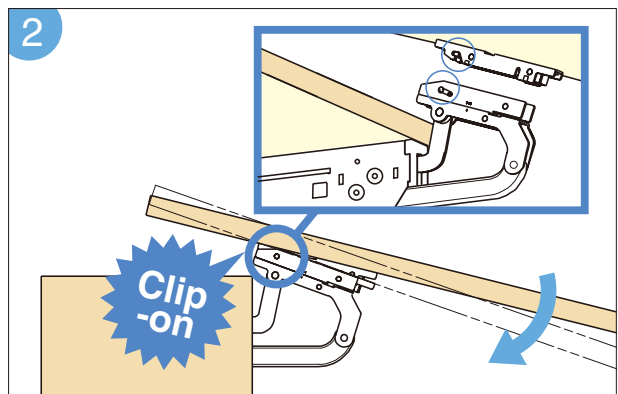
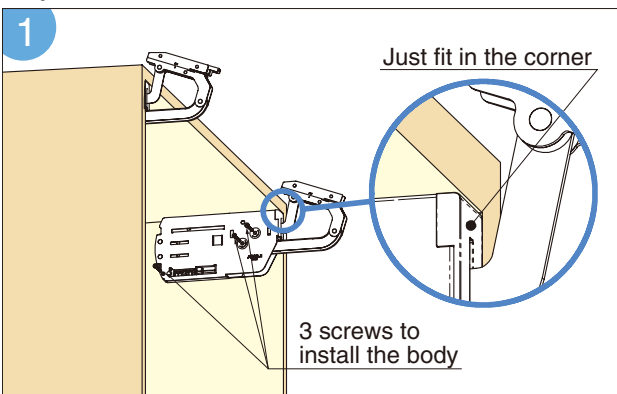
2. Free-stop



3. Soft-close



Easy Installation



SELECTION GUIDE

DAMPER STAYS

TORQUE STAYS

LIFT-ASSIST STAYS

LID STAYS

TOP-OPENING

UPWARD-OPENING

DOWNWARD-OPENING

BOTTOM-OPENING

LIFT-UP

LIFT-DOWN

UP & OVER

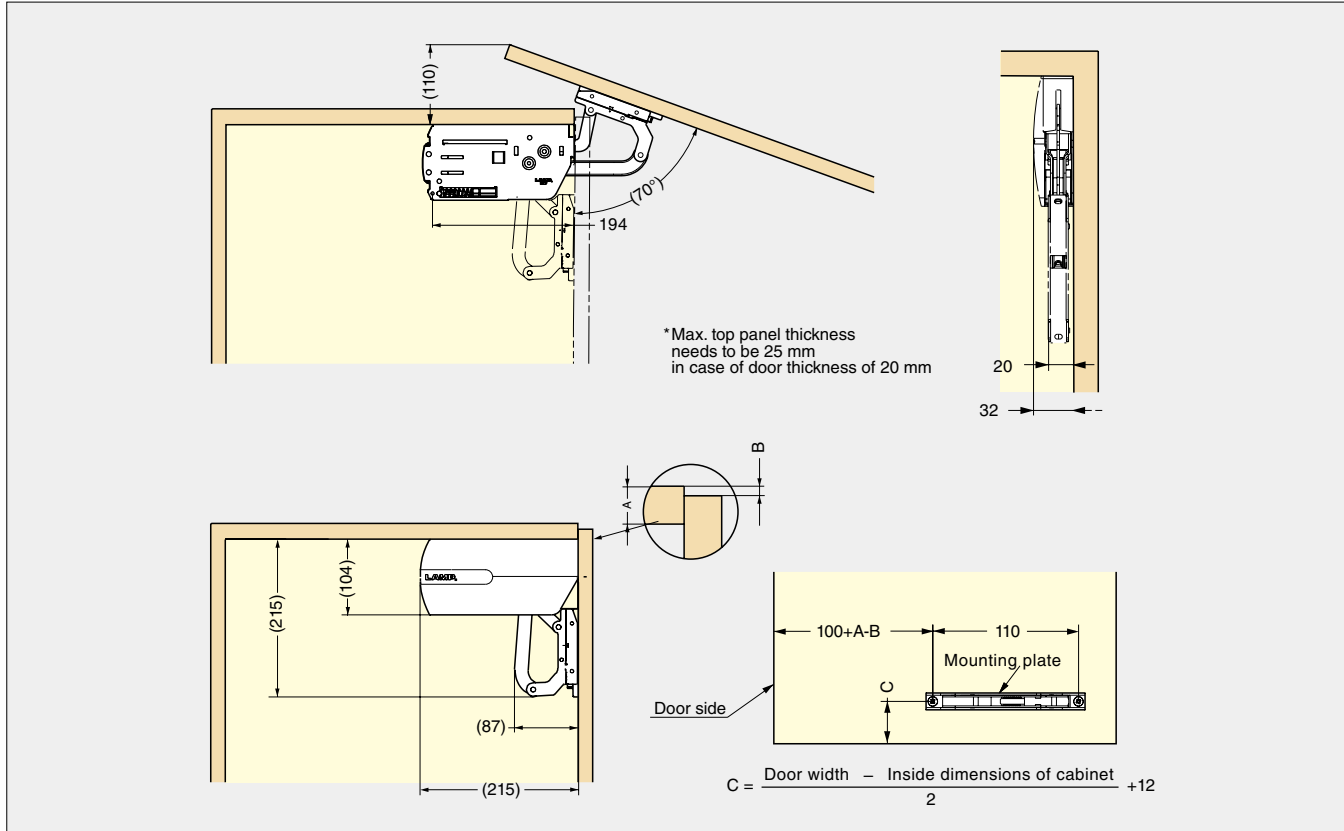
BIFOLDING

INSET RECEDING

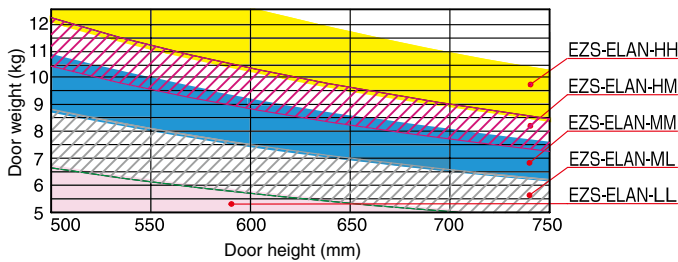
OVER THE TOP

SWING DOOR

Installation



Door Size Range



Lifting Power

Door height (mm) x (Door weight (kg) - 1)

Lifting Power	Model
1900-2860	EZS-ELAN-LL
2820-3900	EZS-ELAN-ML
3850-4950	EZS-ELAN-MM
4700-5600	EZS-ELAN-HM
5550-6930	EZS-ELAN-HH

Set Packing

This product is sold as 1 set. The order quantity is "1", which includes one piece for the left side and one for the right side.

Item Code	Item Name	Material	Finish/Colour	Door Width	Door Height	Door Weight	Weight	Carton
180-018-903	EZS-ELAN-LLS	Steel/ABS	Nickel/Light Grey	Max. 1200	500 - 750	5 - 12.5	2494 g	5 sets
180-018-904	EZS-ELAN-MLS	Steel/ABS	Nickel/Light Grey	Max. 1200	500 - 750	5 - 12.5	2569 g	5 sets
180-018-905	EZS-ELAN-MMS	Steel/ABS	Nickel/Light Grey	Max. 1200	500 - 750	5 - 12.5	2646 g	5 sets
180-018-906	EZS-ELAN-HMS	Steel/ABS	Nickel/Light Grey	Max. 1200	500 - 750	5 - 12.5	2646 g	5 sets
180-018-907	EZS-ELAN-HHS	Steel/ABS	Nickel/Light Grey	Max. 1200	500 - 750	5 - 12.5	2646 g	5 sets

Bulk Packing

Item Code	Item Name	Material	Finish/Colour	Weight	Carton
180-018-923	EZS-ELAN-L	Steel/ABS	Nickel, Light Grey	2334 g	5 sets
180-018-924	EZS-ELAN-M	Steel/ABS	Nickel, Light Grey	2486 g	5 sets
180-018-925	EZS-ELAN-H	Steel/ABS	Nickel, Light Grey	2486 g	5 sets
180-018-983	EZS-ELAN-COVER	ABS	Light Grey	160 g	5 sets

SELECTION GUIDE

DAMPER STAYS

TORQUE STAYS

LIFT-ASSIST STAYS

LID STAYS

TOP-OPENING

UPWARD-OPENING

DOWNWARD-OPENING

BOTTOM-OPENING

LIFT-UP

LIFT-DOWN

UP & OVER

BIFOLDING

INSET RECEDING

OVER THE TOP

SWING DOOR