

DRAWER DIVIDER

Dividing system

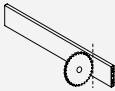



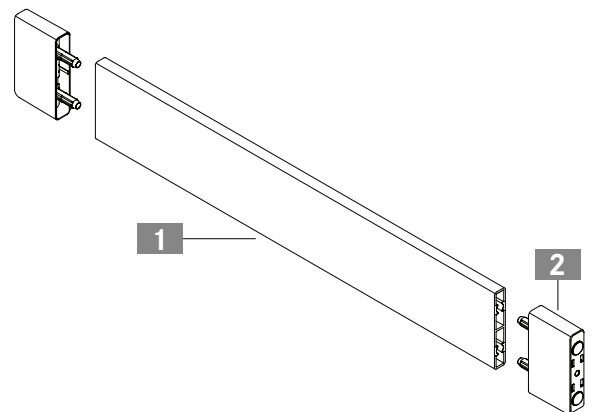
- Elegant storage space organisation by dividing the drawer
- Compensation of the cabinet side thickness with flexible clamping elements
- Aluminium profiles for cutting to length
- Easy to fit
- Tool-free adjustment
- Can be retrofitted at any time
- Colour coordinated

Packaging unit (PU):

207 = 10 items in a cardboard box
211 = 20 items in a cardboard box

ORDER INFORMATION

1 Drawer divider aluminium profile, L = 1185 mm Single item: For cutting to length														
L	Stone			Ice			Silver							
	Art.-no.	PU		Art.-no.	PU		Art.-no.	PU						
1185	F102102943	207		F102102944	207		F102102945	207						
2 Clamping unit Single item: Can be used on left/right														
	F102102932	211		F102102947	211		F102102948	211						

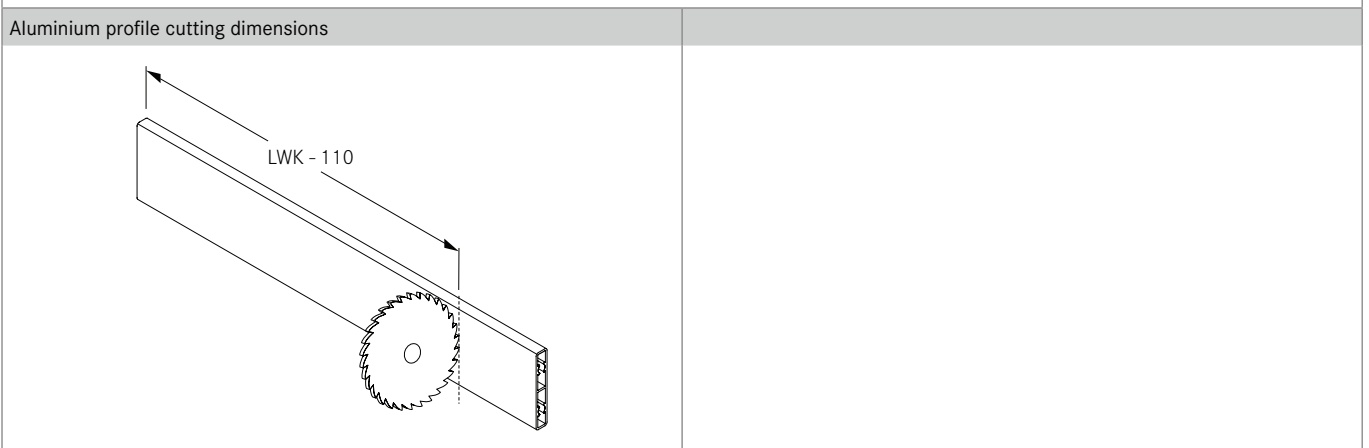
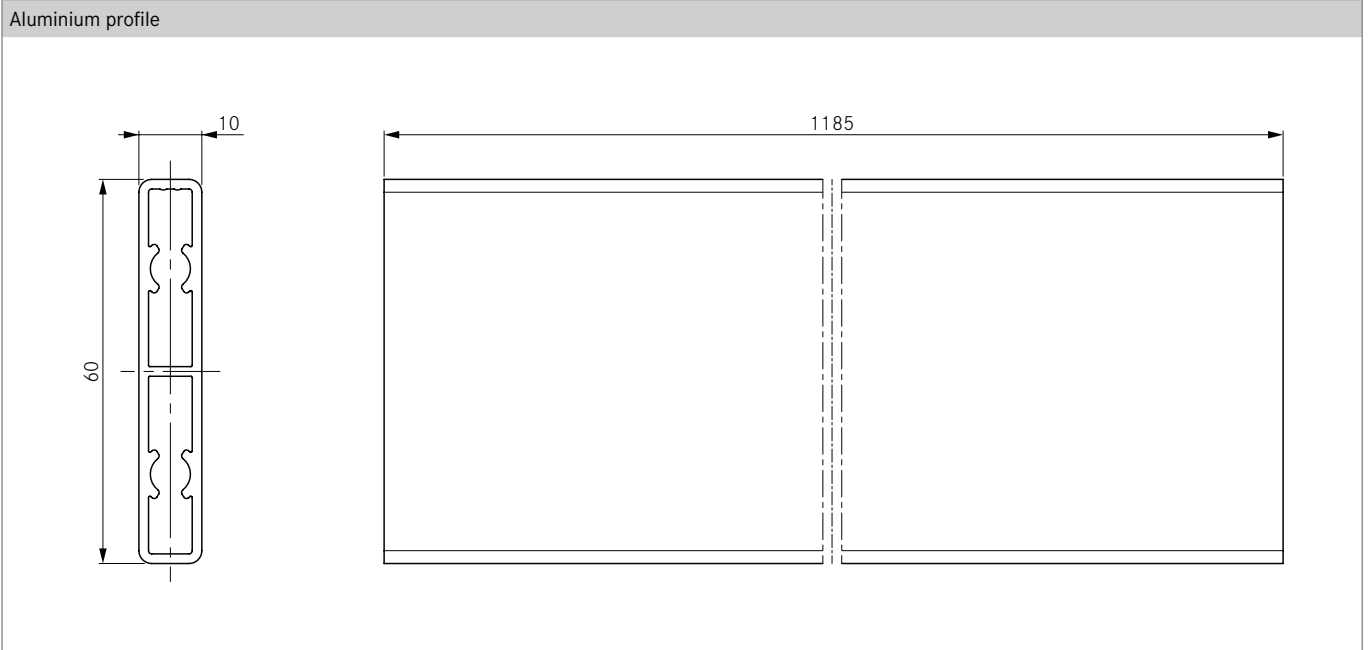


PAGE REFERENCES

Drawer sides	13	Steel back panels	58	Assembly technology	116
Slides	34	Designer panels	64	Assembly aids	120
Inset panels	42	Sensomatic	81	Packaging code	127

PLANNING DIMENSIONS

All dimensions in millimetres



LEGEND

L	Length
LWK	Inside cabinet width